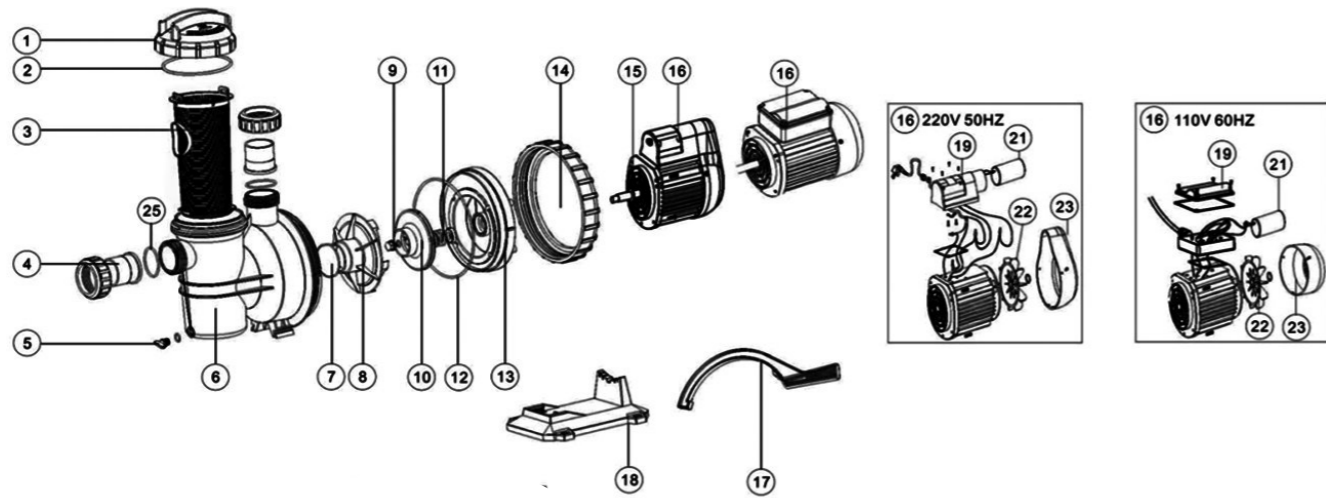


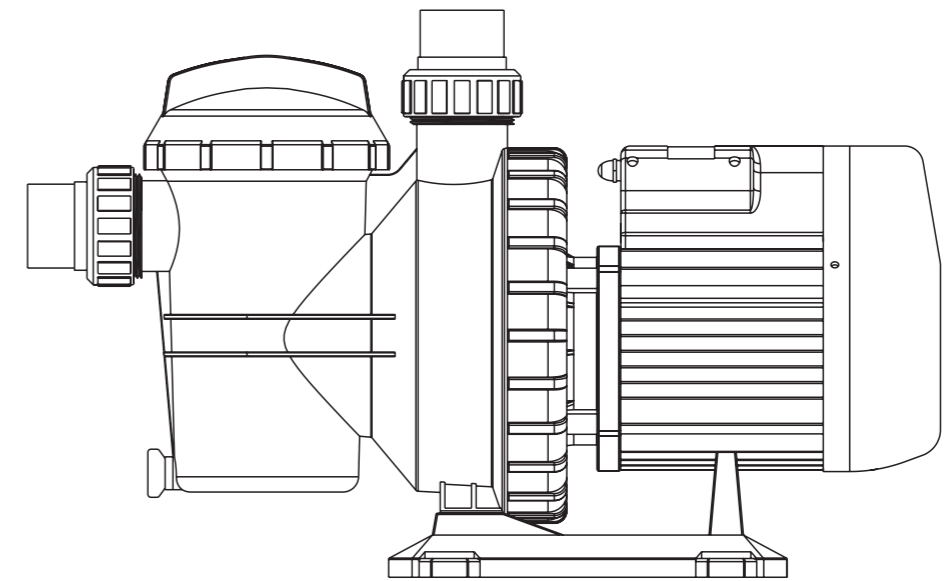
PUMP PARTS FOR SC



Key No.	Part No.	Description	Qty	Key No.	Part No.	Description	Qty
1	01041043	Transparent Lid	1	16	89021803	Motor SC100(220V/60HZ)	1
2	02021088	O-Ring for Lid	1	16	89021804	Motor SC150(220V/60HZ)	1
3	01111076	Basket (Big)	1	16	89021805	Motor SC200(220V/60HZ)	1
4*	89280105	1.5" Union (Black/ White Colour)	2	16	89022001	Motor SC050(380V/50HZ)	1
5	89021307	Drain Plug With O-Ring	1	16	89022002	Motor SC075(380V/50HZ)	1
6	01111006	SC Pump Body	1	16	89022003	Motor SC100(380V/50HZ)	1
7	02011105	O-ring for Diffuser	1	16	89022004	Motor SC150(380V/50HZ)	1
8	01111009	Diffuser	1	16	89022005	Motor SC200(380V/50HZ)	1
9	89021704	Impeller Screw with O-ring	1	16	89021901	Motor SC050(110V/60HZ)	1
10	01311007	Impeller SC050(110V/60HZ) & (220V/60HZ)	1	16	89021902	Motor SC075(110V/60HZ)	1
10	01311008	Impeller SC075(110V/60HZ) & (220V/60HZ)	1	16	89021903	Motor SC100(110V/60HZ)	1
10	01311009	Impeller SC050(220V/50HZ) & (380V/50HZ)/ SC100(110V/60HZ) & (220V/60HZ)	1	16	89021904	Motor SC150(110V/60HZ)	1
10	01311010	Impeller SC075(220V/50HZ) & (380V/50HZ)/ SC150(110V/60HZ) & (220V/60HZ)	1	16	89021905	Motor SC200(110V/60HZ)	1
10	01311011	Impeller SC100(220V/50HZ) & (380V/50HZ)/ SC200(110V/60HZ) & (220V/60HZ)	1	17	01021022	Opening Key	1
10	01311012	Impeller SC150(220V/50HZ) & (380V/50HZ)	1	18	01111007	Base	1
10	01311013	Impeller SC200(220V/50HZ) & (380V/50HZ)	1	19	89021311	Cable Box for SC Pump	1
11	04015046	3/4" Mechanical Seal	1	20	89021505	Cable Box	1
12	02011089	O-Ring for Flange	1	21	04016019	Capacitor for SC050 & SS/SD/SQ/ST075 Pump (110V)	1
13	01111008	SC Pump Flange	1	21	04016021	Capacitor for SC075 & SS/SD/SQ/ST100-124 Pump (110V)	1
14	01021014	Ring Lock Nut	1	21	04016022	Capacitor for SR/SB10-15 & SC100-150 Pump (110V)	1
15	02011096	Motor Slinger	1	21	04016023	Capacitor for SR/SB20-30 & SC200 Pump (110V)	1
16	89021705	Motor SC050(220V/50HZ)	1	21	04016010	Capacitor for SS/SD/SQ/SP/ST075 & SC050 Pump	1
16	89021706	Motor SC075(220V/50HZ)	1	21	04016012	Capacitor for SS/SD/SQ/SP/ST100-120/ SC075	1
16	89021707	Motor SC100(220V/50HZ)	1	21	04016014	Capacitor for SB/SR10,SB15/ SC100/ SC150	1
16	89021708	Motor SC150(220V/50HZ)	1	21	04016015	Capacitor for SB/SR20 & SC/EPH200 & SPH200 Pump	1
16	89021709	Motor SC200(220V/50HZ)	1	22	01031007	Cooling Fan for SC SB/SR10,SB/SR15	1
16	89021801	Motor SC050(220V/60HZ)	1	23	01031009	Fan Cover for SB/SR10,SB/SR15 Pump	1
16	89021802	Motor SC075(220V/60HZ)	1	24	01031002	Fan Cover for SB/SR10,SB/SR15 Pump	1
				25	02011104	O-Ring for 1.5" Union	2

Note:4* 89280105B is 1.5" Union is in Black Colour
4* 89280105W is 1.5" Union is in White Colour

**SC Series Centrifugal Pump
Installation & Operating Instructions**



INSTALLATION

Only qualified, licensed personnel should install pump and wiring.

IMPORTANT ELECTRICAL

Electrical Contractors Please Note: EMAUX pumps must be wired to the main power supply through an approved and correctly rated contactor.

Pump Mount Must:

- ❖ Be solid Level Rigid Vibration Free.
- ❖ Allow use of short, direct suction pipe. (To reduce friction losses & don't install the pump at more than 3M geometrical height from water level)
- ❖ Allow for gate valves in suction and discharge piping.
- ❖ Have adequate floor drainage to prevent flooding.
- ❖ Be protected from excess moisture.
- ❖ All adequate access for servicing pump and piping.

NOTICE:

Pump suction and discharge connections have moulded in thread stops, **DO NOT** try to screw pipe in beyond these stops.

OPERATION

▲ **NEVER** run pump dry! Running pump dry may damage seals, causing leakage and flooding! Fill pump with water before starting motor.

- ▲ Before removing lid:
STOP PUMP before proceeding.
CLOSE GATE VALVES in suction and discharge pipes.
RELEASE ALL PRESSURE from pump and piping system.
NEVER tighten or loosen screws while pump is operation.
- ▲ Do not block pump suction! To do so with body may cause severe or fatal injury. Children using pool must **ALWAYS** have close adult supervision!

Priming Pump:

- ❖ Release all air from filter and piping system: see filter owner manual.
- ❖ In a flooded suction system (water source higher than pump), pump will prime itself when suction and discharge valves are opened.
- ❖ If pump is not in a flooded suction system, unscrew and remove trap cover; fill trap and pump with water.
- ❖ Clean and inspect Ring; re-install on trap cover.
- ❖ Replace trap cover on trap; turn clockwise to tighten cover.

NOTICE: Tighten trap cover by hand only.
Pump should prime now. Priming time will depend on vertical length of suction lift and horizontal length of suction piping.

ROUTINE MAINTENANCE

The only routine maintenance needed is inspection/cleaning of trap basket. Debris or trash that collects in basket, will choke off water flow through the pump. Follow instructions below to clean trap:

- 1) Stop pump, close gate valve in suction and discharge, and release all pressure from system before proceeding.
- 2) Unscrew trap lid (turn counterclockwise).
- 3) Remove strainer basket and clean. Be sure all holes in basket are clear, flush basket with water and replace in trap with large opening at pipe connection port (between ribs provided). If basket is replaced backwards cover will not fit on trap body.
- 4) Clean and inspect lid Ring; reinstall on trap cover.
- 5) Clean Ring groove on trap body and Replace lid. To help keep lid from sticking, tighten hand tight only.
- 6) Prime pump (see priming instructions above)



SERVICE & REPAIR PARTS

Refer all service to your local agent or dealer as his knowledge of your equipment makes him the best qualified source of information. Order all repair parts through your dealer. Give the following information when ordering repair parts:

- 1) Unit nameplate data or serial number on label.
- 2) Description of part.

TROUBLE SHOOTING

MOTOR DOES NOT START

- 1) Disconnect switch or circuit breaker in off position
- 2) Fuses blown or thermal overload open
- 3) Locked motor shaft
- 4) Motor windings burned out
- 5) Defective starting switch inside single phase motor
- 6) Disconnected or defective wiring
- 7) Low voltage

PUMP DOES NOT REACH FULL SPEED

- 1) Low voltage
- 2) Pump connected for wrong voltage

MOTOR OVERHEATS (protector trips)

- 1) Low voltage
- 2) Motor windings connected for wrong voltage on dual voltage model
- 3) Inadequate ventilation

PUMP DELIVERS NO WATER

- 1) Pump is not primed
- 2) Closed valve in suction or discharge line
- 3) Leakage or air into suction system
- 4) Impeller clogged

LEAKAGE OF WATER AT SHAFT

- 1) Shaft seal requires replacement

LOW PUMP CAPACITY

- 1) Valve in suction or discharge line partly closed
- 2) Suction or discharge line partly plugged
- 3) Suction or discharge line too small
- 4) Plugged basket in skimmer or hair and lint strainer
- 5) Dirty filter
- 6) Impeller clogged

HIGH PUMP PRESSURE

- 1) Discharge valve or inlet fittings closed too much
- 2) Return lines too small
- 3) Dirty filters

NOISY PUMP AND MOTOR

- 1) Plugged basket in skimmer or hair in lint strainer
- 2) Worn motor bearings
- 3) Valve in suction line partly closed
- 4) Suction line partly plugged
- 5) Vacuum hose plugged or too small
- 6) Pump not supported properly

AIR BUBBLES AT INLET FITTINGS

- 1) Leakage of air into suction line at connections or valve stem
- 2) Cover gasket of hair and lint strainer needs cleaning
- 3) Low water level in pool

NOTE: If the recommendations in the trouble shooting portion of this manual do not solve your particular problem(s), please contact your local dealer for service.