

Specification

Model: CPAW100-0120833

Description: Input: 200-240Vac; Output: 12Vdc 8.33A, LED Driver

Date : 2018-02-27

Prepared by: 李宇婷

Checked by: _____

Approved by: 蒋红华

Customer authorized signature: _____

Please return to us one copy of “Specification” with you approved signature.

Issued Status: Draft Published

ADD : FL.2 to 5,Block 2, Hongfa Jiateli Hi-Tech Park, Shixin Community, Shiyan Town,
Bao An District, Shenzhen City, Guang Dong, China

Specification

Product Name:	LED Driver	Applications:
ERP No.:	CPAW100-0120833-B01	Applicable occasions: Indoor、Outdoor
		Features:
		1、 Input Voltage Range 200-240Vac; 2、 Working temperature range -20℃~+50℃
		Installation:
		1、 Lock screw
		Warranty:
		<input checked="" type="checkbox"/> 3years or30,000 hours <input type="checkbox"/> 5 years or50,000 hours

Safety Certification	CE	ROHS
----------------------	-----------	-------------

1、 Product Parameters:

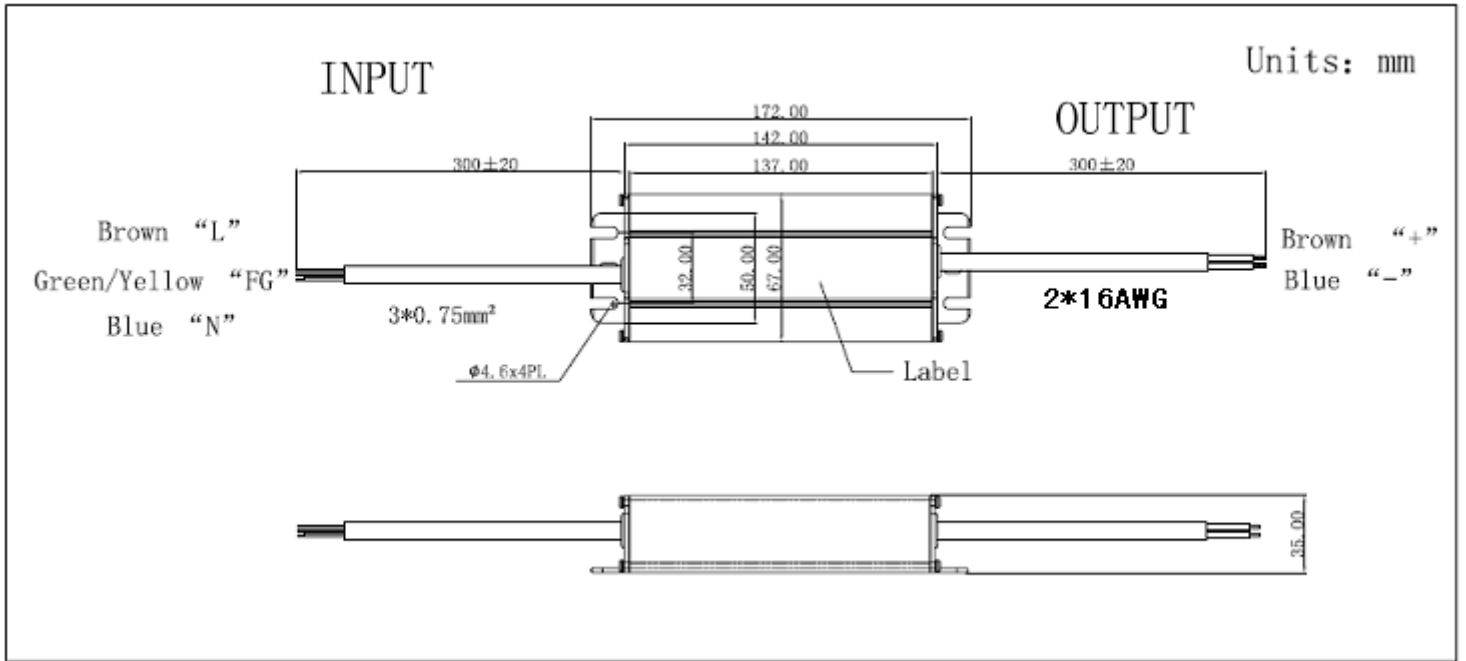
Output Characteristics	Rated Output Voltage	12V
	Rated Output Current	8.33A
	Rated Output Power	100W
	Output Voltage Accuracy	±5%(11.4V-12.6V)
	Output ripple & noise	≤500mV
Input Characteristics	Input Voltage Range	180Vac~264Vac
	Rated Input Voltage Range	200Vac~240Vac
	Input Frequency Range	50~60Hz
	Input Current	≤1.25A
	Inrush Current (cold start)	≤85A(200-240Vac)
	Efficiency	≥90%
	PF	/
Environmental Characteristics	Working Temperature	-20~+50℃
	Working Humidity	20~95%RH, (non-condensing)
	Storage Temperature	-40~+80℃,
	Storage Humidity	10~95%RH
	IP Rating	<input type="checkbox"/> IP65 <input checked="" type="checkbox"/> IP67 <input type="checkbox"/> IP68 <input type="checkbox"/> NO
	Vibration	10~500Hz,5G,30 minutes (for X、Y、Z each axis)
Safety and EMC	Safety Standard	CE ROHS

	Dielectric Strength (Hi-Pot)	I/P-O/P	1.2KVac/ 10mA/ 3S
		I/P-Case	/
	Insulation Resistance		50MOhm Min/ 500Vdc/ 3S
	Grounding Resistance		/
	EMC		/
Other Characteristics	MTBF	≥30000hrs. MIL-HDBK-217F(25°C)	
	Size	142*67*35 mm(L*W*H)	
	Weight	650g	

Remarks:

- ① Test environment temperature : 25 ± 2 °C;
- ② Ripple and noise measurement methods: The terminal to be parallel "47uF electrolytic capacitors and 0.1uF ceramic capacitors" measured in the 20MHz bandwidth.

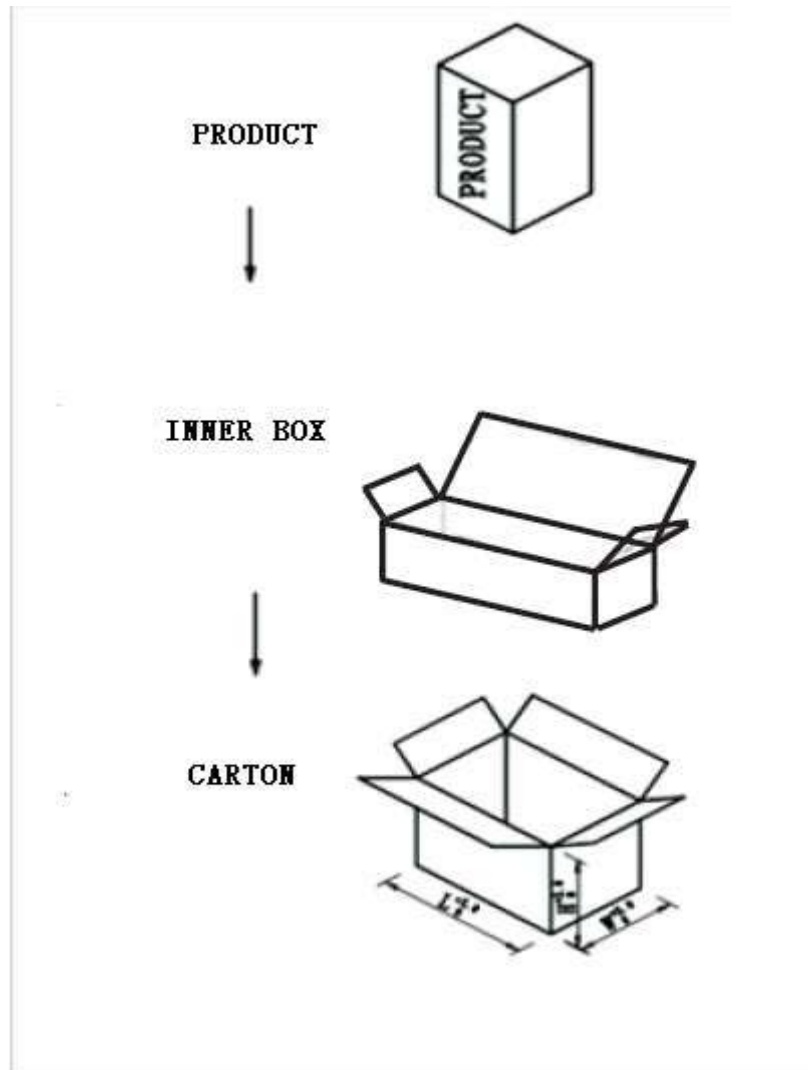
2、 Profile Drawing:



3、 Label Drawing:

INPUT L BROWN G Y/G ⊕ N BLUE	MODEL No: CPAW100-0120833 Po:100W EFFICIENCY>90% SELV Constant Voltage Type For LED Only <table border="1" style="width: 100%; border-collapse: collapse; margin-top: 10px;"> <tr> <td style="width: 20%;">Input Voltage</td> <td style="width: 30%;">200-240V~ 50/60Hz</td> <td style="width: 20%;">Output Voltage</td> <td style="width: 30%;">12V =</td> </tr> <tr> <td>Input Current</td> <td>1.25A Max</td> <td>Output Current</td> <td>8.33A</td> </tr> </table>	Input Voltage	200-240V~ 50/60Hz	Output Voltage	12V =	Input Current	1.25A Max	Output Current	8.33A	IP67 CAUTION: 1. Do not put the product closely to heat source or flammable materials; 2. Right installation for easy heat conduction; 3. Do not touch the product when it's working.	OUTPUT BROWN "+" BLUE "-" ta: 50°C tc: 85°C Three-years warranty MADE IN CHINA Date Code : YYWW
Input Voltage	200-240V~ 50/60Hz	Output Voltage	12V =								
Input Current	1.25A Max	Output Current	8.33A								
S/N: 307-05-581											

4、Packaging Drawing:



5、Packaging Information:

1. Outer Carton: 415*400*170 mm; Inner packing box: 190*100*50mm
2. Quantity:24 pcs;
3. Net Weight:15.6kg;
4. Gross Weight: 16.3kg;
5. The above package quantity and weight are only for the pictorial package, while for other package modes, the package quantity and weight will be different.

6、Note:

- 1、Metal shell power supply, input ground must be connected with the earth reliably, can not be left floating and connected to the zero line.
- 2、Please install the power supply in a well-ventilated place to ensure that the ambient temperature is suitable.

- 3、 When more than one power supply is connected in parallel, please pay special attention to the carrying capacity of the power cord of the power grid.
- 4、 When using the power supply, do not touch the surface of the metal shell, to avoid high temperature burns.
- 5、 Try to avoid the installation of minefields, high pressure area.
- 6、 If something goes wrong, do not repair it by yourself. If you have questions, please contact the supplier

7、 Tips

- 1、 Please use professional staff to install the power supply, and understand the specifications of the electrical parameters of the indicators, pay attention to the terminal contact area, to ensure effective and solid connection
- 2、 Please pay special attention to the use of power supply environment, regularly check whether there are security risks.