

# VARISTOR



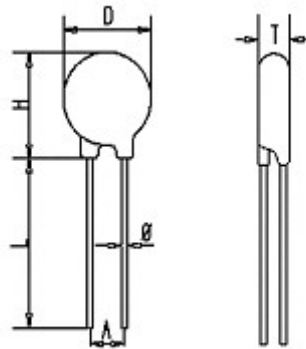
## VAR10 Series

### 10D Series varistors Size (mm)

Dmax	13
Hmax	15
Lmin	25
A±1	7.5
□±0.02	0.8

### VAR10 Series varistor thickness Tmax(mm)

VAR10-14 – VAR10-130	5.0
VAR10-150 – VAR10-175	5.5
VAR10-250 – VAR10-300	6.0
VAR10-420	6.5



Part No.	Varistor Voltage	Max.Allowable Voltage		Max.Clamping Voltage (8/20µS)		Energy (J)		Peak Current (8/20µS)		Rated Wattage (W)	Capacitance (pF)
	V1mA (v)	Acrms (v)	DC (v)	Vc (v)	Ip (A)	10/1000 µS	2ms	1time (kA)	2times (kA)		
VAR10-14	20-24	14	18	43	5	2.6	2.2	1	0.5	0.5	6,000
VAR10-25	35-43	25	31	77	5	5.6	4.7	1	0.5	0.5	3,700
VAR10-30	42-52	30	38	93	5	6.8	5.6	1	0.5	0.5	3,300
VAR10-60	90-110	60	85	165	25	17	12	3.5	2.5	0.4	1,700
VAR10-75	108-132	75	100	200	25	20	15	3.5	2.5	0.4	1,500
VAR10-95	135-165	95	125	250	25	25	18	3.5	2.5	0.4	1,300
VAR10-130	185-225	130	170	340	25	35	25	3.5	2.5	0.4	430
VAR10-150	216-264	150	200	395	25	42	30	3.5	2.5	0.4	360
VAR10-175	243-297	175	225	455	25	49	35	3.5	2.5	0.4	330
VAR10-250	351-429	250	320	650	25	70	50	3.5	2.5	0.4	240
VAR10-275	387-473	275	350	710	25	80	55	3.5	2.5	0.4	220
VAR10-300	423-517	300	385	775	25	85	60	3.5	2.5	0.4	190
VAR10-420	612-748	420	560	1120	25	100	72	3.5	2.5	0.4	140