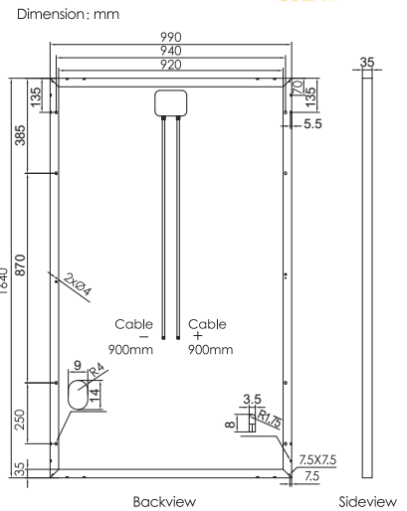


Mono **Poly**

LP156*156-P-60

Rated Power 260-280W

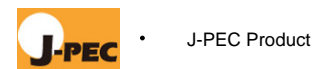


Product Series	LP156*156-P-60				
Power	260W	265W	270W	275W	280W
Open Circuit Voltage	37.82V	38.02V	38.22V	38.42V	38.62V
Short Circuit Current	8.98	9.07A	9.16A	9.25A	9.34A
Maximum Power Voltage	30.75V	30.95V	31.15V	31.35V	31.55V
Maximum Power Current	8.47A	8.57A	8.67A	8.77A	8.87A
Module Efficiency	16.0%	16.3%	16.6%	16.9%	17.2%



•10-YEAR 90% Maximum Output
•25-YEAR 80% Maximum Output

Product Characteristics			
Weight	18.0kg	Junction Box	IP67
Module Size	1640*990*35mm	Frame	Aluminum Alloy
Cell Amount	60 pcs	Cable	4mm ² , Length 900mm
Cell Size	156.75*156.75mm	Connection	(Compatible with) MC4
Maximum System Voltage	1000/1500V	Application Level	Class A



- Salt Spray Certificate
- IEC61701 (Salt Mist Corrosion Test)

Packing Configuration			
Modules/Pallet	30 pieces	Modules/40' container	840pieces
Packing Description	28 Pallets, Total=30 X 28=840		

- TUV PID Certificate

- TUV Certificate

Temperature Characteristics		Maximum Rating	
NOCT	45±2°C	Output Tolerance	0~+3%W
Temp Coefficient of ISC	+0.06%/°C	Operating Temperature	-40°C ~+85°C
Temp Coefficient of VOC	-0.30%/°C	Wind Load/Snow Load	2400pa/5400pa
Temp Coefficient of Pmax	-0.40%/°C	Fuse Current	15A

260W
280W
 •Output 260W-280W

