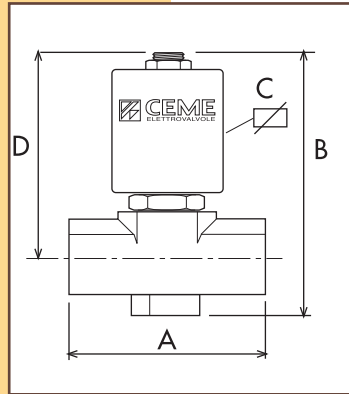
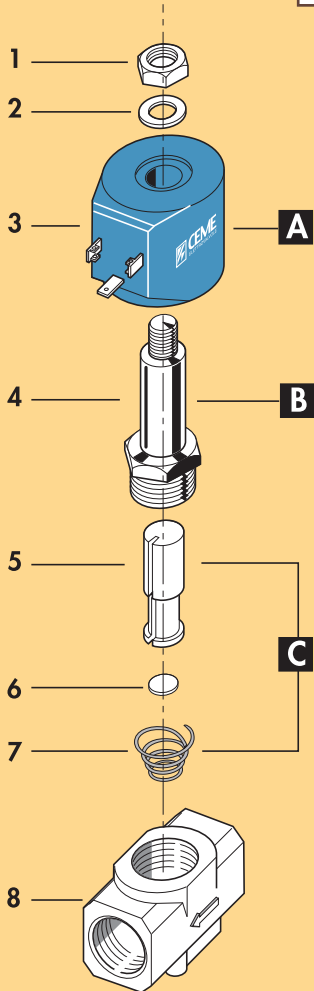


CARATTERISTICHE SPECIFICATIONS



ATTACCHI PIPES in → out	Ø mm	CODICE CODE	KV m ³ /h	M.O.P.D. bar		DIMENSIONI/DIMENSIONS mm				PESO/WEIGHT Kg
				AC	DC	A	B	C	D	
1/4 NPT	2,8	9902	0.250	11	6	37	82	60	73	0.410
G 1/4	2,8	9912	0.250	11	6	37	82	60	73	0.410
G 1/4	4,0	9912	0.370	10	4	37	82	60	73	0.410
G 1/4	5,5	9912	0.560	6	2	37	82	60	73	0.410
G 3/8	3,5	9913	0.360	10	5	56	87	60	69	0.540
G 3/8	4,0	9913	0.470	10	4	56	87	60	69	0.540
G 3/8	5,5	9913	0.560	6	2	56	87	60	69	0.540
G 1/2	4,0	9914	0.470	10	4	56	87	60	69	0.505
G 1/2	5,5	9914	0.560	6	2	56	87	60	69	0.505
G 1/2	7,0	9914	0.730	5	1.5	56	87	60	69	0.505
G 1/4	2,8	9942	0.240	25	8	42	82	60	73	0.400
G 1/4	4,0	9942	0.420	12	5	42	82	60	73	0.400
G 1/4	6,0	9942	0.650	6	2	42	82	60	73	0.400
1/4 NPT	6,0	9947	0.650	6	2	42	82	60	73	0.400



CARATTERISTICHE ELETTRICHE ELECTRICAL INFORMATION

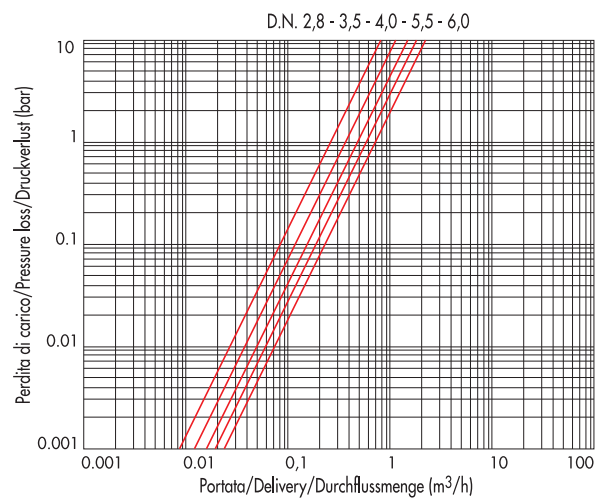
	POTENZA/POWER			
	9902-12-13-14		9942	
	NOMINALE HOLDING	SPUNTO IN RUSH	NOMINALE HOLDING	SPUNTO IN RUSH
V~	12 24 48 110 230 400	50 60	Hz	20VA 34VA 18,5VA 32VA
V=	12 24 48 110			14W 14W

Per dettagli costruttivi sulle bobine vedi capitolo "INFORMAZIONI DI PROGETTO"
For construction details of the coils see chapter "PROJECT INFORMATION"
Ausführliche Daten über die Ventilsolenen finden Sie unter Abschnitt "TECHNISCHE
INFORMATIONEN"

MAX TEMPERATURA MAX TEMPERATURE

FLUIDI/FLUIDS				AMBIENTE/AMBIENT
EPDM	FPM	PTFE	RULON	80°C
155°C	150°C	180°C	180°C	Versioni/Versions/Versionen 230V/50 Hz : 120°C 230V/50-60 Hz : 120°C

DIAGRAMMA PERDITA DI CARICO PRESSURE LOSS DIAGRAM



1	Dado	Lock nut	Mutter
2	Rondella	Washer	Beilagscheibe
3	Bobina	Coil	Magnetspule
4	Cannotto	Tube guide	Plungerrohr
5	Nucleo mobile	Plunger	Plunger
6	Pastiglia	Seal	Dichtung
7	Molla	Spring	Feder
8	Corpo	Valve body base	Grundkörper
RICAMBI		SPARE PARTS	ERSATZTEILE
A	Bobina	Coil	Magnetspule
B	Cannotto	Tube guide	Plungerrohr
C	Nucleo mobile	Plunger	Plunger

9902 - 9912



9913 - 9914



9942-9947



ELETTROVALVOLA AZIONE DIRETTA 2/2 VIE N.C.
SOLENOID VALVE DIRECT ACTING 2/2 WAY N.C.
DIREKTGESTEUERTES MAGNETVENTIL 2/2 WEGE S.G.



I CARATTERISTICHE GENERALI

PRESSIONE MINIMA DI FUNZIONAMENTO 0 bar

PARTI A CONTATTO CON IL FLUIDO

TENUTA EPDM - PTFE - RULON® - FPM
CORPO OTTONE CON SEDE DI TENUTA INOX (9912, 9913, 9914)
TUBO GUIDA INOX - Tenuta metallica con il corpo per tenute sicure anche ad alte temperature di impiego.
 - Migliore resistenza alla corrosione.

ORGANI INTERNI ACCIAIO INOX
FLUIDI ACQUA - ARIA - VAPORE - GAS - OLII LEGGERI

VALVOLA UNIDIREZIONALE
VALVOLA ISPEZIONABILE
VALVOLA FORNITA CON CONNETTORE TRIPOLARE UNI ISO 4400 (DIN 43650A)-IP65
POSIZIONE DI MONTAGGIO Qualsiasi; sconsigliata quella con bobina rivolta verso il basso
TEMPERATURA AMBIENTE 80°C, in D.C. per temperature superiori a 40°C, le performance (M.O.P.D.) potrebbero diminuire

ESECUZIONI SPECIALI FORI FILETTATI PER IL FISSAGGIO DELLA VALVOLA (9912)

UK GENERAL FEATURES

MINIMUM WORKING PRESSURE 0 bar

PARTS IN CONTACT WITH THE FLUID

SEALING EPDM - PTFE - RULON® - FPM
BODY BRASS WITH SEALING SEAT IN STAINLESS STEEL (9912,9913,9914)
STAINLESS STEEL TUBE GUIDE:
 - Metallic sealing with the body for safety sealing also for high temperature applications
 - Improved corrosion resistance

INTERNAL PARTS STAINLESS STEEL
FLUIDS WATER- AIR - STEAM - GAS - LIGHT OILS

ONE WAY DIRECTION VALVE
SERVICEABLE VALVE
VALVE SUPPLIED WITH THREE POLE PLUG CONNECTOR UNI ISO 4400 (DIN 43650A) -IP65
MOUNTING POSITION Any, the position with the coil downwards is not recommended.
AMBIENT TEMPERATURE 80°C, in D.C. for temperatures higher than 40°C, the performances (M.O.P.D.) could decrease.

SPECIAL EXECUTIONS VALVE FIXING HOLES (9912)

D ALLGEMEINE MERKMALE

MINIMALER ARBEITSDRUCK 0 bar

MEDIUMS BERUEHRTE ELEMENTE

DICHTUNG EPDM - PTFE - RULON® - FPM
KOERPER MESSING MIT VENTILSITZ AUS EDELSTAHL (9912,9913,9914)
PLUNGERROHR AUS EDELSTAHL

- Metallische Dichtung fuer einen sicheren Einsatz auch bei hohen Medien-temperaturen.
 - Bessere Korrosionsbestaendigkeit .

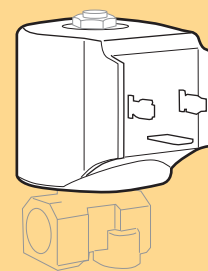
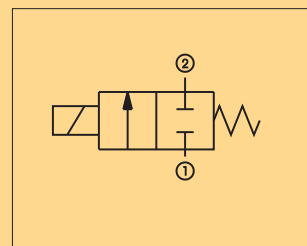
INNERE ELEMENTE EDELSTAHL
MEDIEN WASSER - LUFT - DAMPF - GAS - LEICHTE OELE

UNIDIREKTIONALES VENTIL
VENTIL WARTUNGSFREUNDLICH

LIEFERUMFANG DREIPOLIGER STECKER UNI ISO 4400 (DIN 43650A) -IP65
MONTAGEPOSITION Keine Einschraenkungen. Fuer Montage mit dem Spulenkopf senkrecht nach unten, auf Anfrage.

UMGEBUNGSTEMPERATUR 80°C, im D.C.- Betrieb koennen Temperaturen ueber 40°C, die Schaltkraefte (M.O.P.D.) des Ventils beeintraehtigen.

SONDERAUSFUEHRUNGEN BEFESTIGUNGSGEWINDE AM GRUNDKOERPER (9912)



9902-9912-9913-9914-9947
BOBINA TIPO B12
COIL TYPE B12
SPULE TYP B12

9942-9947
BOBINA TIPO B12 M
COIL TYPE B12 M
SPULE TYP B12 M