

# LED TRACKLIGHT

Product&Family Code: 018 019 0030

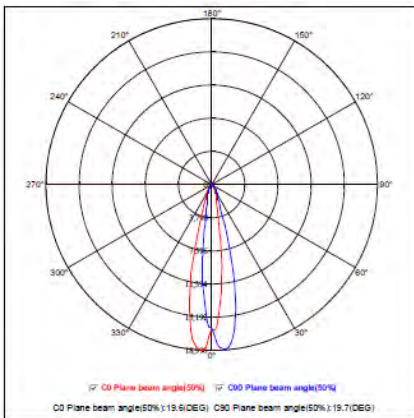
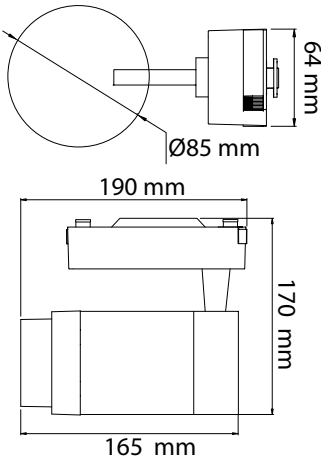
**MONACO-30**

Technical Data	
Voltage (V)	100-240V
Product Wattage (W)	30
Equivalence with incandescent lamp(W)	240
Colour Render Index (Ra)	>Ra80
Colour Temperature (K)	4200K
Materials	Aluminium
Protection Class	II
Dimmable	No
EEI	A to A <sup>++</sup>
Warm-up time up to 60 %of the full light output	Instant Full Light
Luminous Flux (lm)	2250
Luminous Efficacy (lm/W)	75
Rated Life (hrs) ⌚	40.000
IP Rating	20
Power Factor	>0.5
Beam Angle	15° - 60°
Starting Time	<0.2s
Number of ON-OFF cycling	x20.000



White  
Black

## Technical Drawing



## Applications

- Tracking lighting is your best choice when compared to other lights for areas such as dining rooms, kitchens, shopping center, jeweler and even offices.



## Features

- High Lumen and CRI, Good quality & Constant Current driver.
- High heat dissipation, low carbon and environmental protection.
- COB LED Lamp Base.
- Very low energy consumption.

