



# INSTRUCTION

## CMF10, CMF10-230



**Read this instruction before installation and wiring of the product**

OCT 13



**Consult documentation in all cases where this symbol is used, in order to find out the nature of the potential hazards and any actions to be taken**

### Controller with display

CMF10 is a pre-programmed, configurable controller. It has 10 inputs/outputs and can be configured to control temperature (ventilation control with heating and cooling), water-heated radiator heating with outdoor temperature dependent control-curve or domestic hot water control.

From revision R20, it is possible to connect an external setpoint device. The device can be used for control modes 1-4.

CMF10 is available in two versions, CMF10 with 24 V AC supply voltage and CMF10-230 with 230 V AC supply voltage.

All configuration and normal handling is done using the display and the knob on the front.

### Technical data

Supply voltage	
CMF10-230	230 V AC +10/-15%, 50...60 Hz
CMF10	24 V AC ±15%, 50...60 Hz
Power consumption	6 VA
Ambient temperature	0...50°C
Ambient humidity	Max. 95% RH
Storage temperature	-20...70°C
Display	Numeric / graphic. Background illumination.
Inputs	Refer to connection illustrations and table below
Terminal blocks	Disconnectable, so-called lift type for cable cross-section 2.5 mm <sup>2</sup>
Protection class	IP20
Material, casing	Polycarbonate, PC
Weight	
CMF10-230	370 g incl. terminals
CMF10	215 g incl. terminals
Dimensions	122 x 120 x 64 mm (WxHxD incl. terminals)
Overvoltage category	3
Pollution degree	2

### Inputs

AI	Resolution: 10 bit A/D
AI1	PT1000-sensor, range 5...80°C
AI2	PT1000-sensor, range -30...+50°C
SPI	PT1000 setpoint device, range 0...40°C
UI	
AI	PT1000, range 0...80°C
or DI	Closing potential-free contact
A <sub>GND</sub>	Reference for AI
UI+	Reference for UI
DI	Closing potential-free contact
DI+	Reference for DI

### Outputs

AO	0...10 V DC; 8 bit D/A short-circuit protected
DO1 and DO2 (CMF10)	Triac controlled, 24 V AC, 0.5 A continuous (connected to G0)
DO1 and DO2 (CMF10-230)	Triac controlled, 24 V AC, 0.16 A continuous with internal trafo (connected to G0)
DO3	Change-over (SPDT) relay 230 V AC, 1000 VA
GDO	Reference for DO1 and DO2. 24 V AC output

### Setpoint values

	<i>Temperature</i>	<i>Factory setting</i>
Supply air	10...80°C	21°C
Cascade control, room	10...50°C	21°C
Radiator circuit control (only when using a room sensor)	10...40°C	21°C
External setpoint	0...40°C	
Domestic hot water	10...80°C	55°C
Neutral zone	0...10°C	1°C
P-band	0...99°C	15°C
I-time	0...990 s	60 s
D-factor	0...99	0
P-band cascade	0.5...99°C	15°C
Min. at cascade	0...99°C	15°C
Max. at cascade	0...99°C	25°C
Damper min. limit	0...99 %	10 %
Start of outdoor compens.	-30...50°C	10°C
Outdoor compensation at -20°C outdoor temp.	-10...10°C	5°C
Supply temperature (water-heated radiator heating)		
at -20°C outdoor temp.	0...99°C	60°C
at 20°C outdoor temp.	0...99°C	20°C
Frost protection	7°C (fixed)	
SP. Shutdown mode	25°C (fixed)	
Actuating time, 3-point actuator	10...300 s	120 s



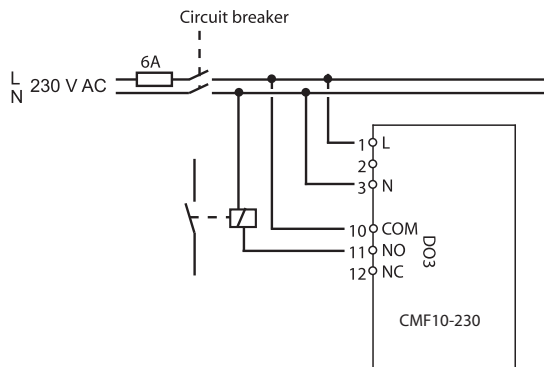
### Installation

CMF10-230 must be installed in a casing (DIN-casing or similar) where it can be used without risk of electric shock and where it fulfills the demands for the LVD-standard. See the section Installation in the "CMF10 Manual".



### Disconnection

The controller CMF10-230 shall be connected to a switch or circuit breaker in the building installation. This switch shall be in close proximity to the controller and within easy reach of the operator, and shall be marked as the disconnecting device for the equipment.



### ⚠ Overcurrent protection

The controller CMF10-230 shall be protected by a fuse in the building installation. The maximum load of the controller, 1000 VA, suggests a 6 A fuse.

Follow table 1 below for connection.

Table 1. I/O connection terminals

Terminal	Designation	Operation
1	G	24 V AC
2	G0	CMF10 only
3	— —	
1	L	230 V AC
2		CMF10-230 only
3	N	
10	Common	DO3 Relay 230 V AC, 1000 VA
11	NO	
12	NC	
13	GDO	Reference for DO1 and DO2
14	DO1	Digital output
15	DO2	Digital output
20	AGnd	Reference for AO1 and AO2
21	AO1	0...10 V DC output
22	AO2	0...10 V DC output
40	DI2	Digital input
41	DI+	Reference for DI1 and DI2
42	DI1	Digital input

43	UI+	Reference for UI1
44	UI1	Universal input PT1000 or Digital
50	AGnd	Reference for AI1
51	AI1	PT1000 temp. sensor input
52	AGnd	Reference for AI2
53	AI2	PT1000 temp sensor input
54	SPI	Input PT1000 setpoint device

For best protection against disturbances, a shielded twisted-pair cable should be used for wiring the sensors. Ground the shield at one end.

### Control modes

CMF can be configured to any one of the following control modes:

#### 1. Supply air temperature control

The supply air temperature is kept at the setpoint value by controlling the output signals on AO1 and AO2. A single PI control loop is used. Connect the sensor to AI1, even if only using a room sensor.

#### 2. Supply air temperature control with outdoor compensation

The supply air temperature is kept at the setpoint value by controlling the output signals on AO1 and AO2. A single PI control loop is used. The setpoint is automatically adjusted according to the outdoor temperature.

#### 3. Cascade connected supply air control with room / extract air temperature influence

An offset in room temperature will adjust the supply air temperature setpoint so as to eliminate the room temperature offset. Control loops with PI-control are used. The supply air temperature is minimum and maximum limited. A supply temperature sensor and a room/extract air sensor must be utilised.

#### 4. Radiator circuit control with outdoor curve

The water temperature setpoint is changed according to the outdoor temperature. A single PI control loop is used. A room temperature sensor can be added to give corrective action if the room temperature differs from the setpoint. Without a room sensor, the setpoint is a parallel displacement of the curve. When using a room sensor, the setpoint is a room setpoint. This is automatically set when configuring control mode 4.

#### 5. Domestic hot water control

The water temperature is kept constant by controlling the output signal on AO1. A single PID control loop is used.

### Control modes 1, 2 and 3

For control modes 1, 2 and 3, the analogue outputs can be configured to the following combinations:

	AO1	AO2	Display symbols
1	Heating	-	☀
2	Cooling	-	❄
3	Heating	Cooling	☀ ❄
4	Heating	Heating	☀ ☀
5	Cooling	Cooling	❄ ❄
6	Heating	Damper	☀ ☑
7	Cooling	Damper	❄ ☑

**Note:** For control modes 1, 2 and 3, the input for fan indication (DI1) must be connected in order to start the control function, otherwise an alarm, AL3, will be generated. The input must "follow" the fan output, i.e. if the output closes, the input must also close.

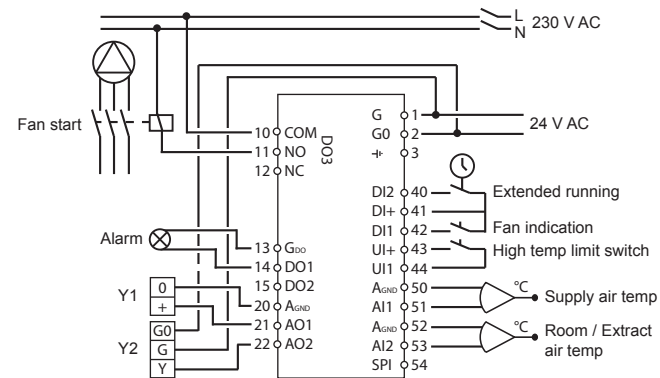


Figure 1. Wiring example: CMF10 with electric heating (for example via CTR25) and damper. Cascade control.

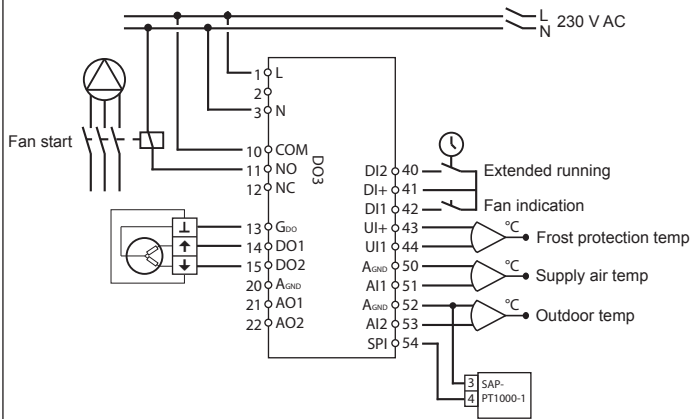


Figure 2. Wiring example: CMF10-230 with water heating, 3-position output. Supply air control with outdoor compensation and external setpoint device.

The digital outputs are 24 V AC, Gdo is common and DO is connected to G0. For CMF10, DO1 and DO2, the outputs can handle 12 VA. For CMF10-230, DO1 and DO2, the outputs can handle 3.8 VA when using the internal transformer.

#### Control mode 4

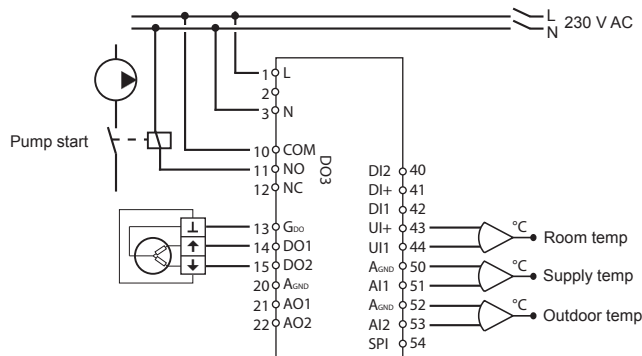


Figure 3. Wiring example: CMF10-230 with 3-position actuator and room temperature sensor (can also be used without a room temperature sensor).

The digital outputs are 24 V AC, Gdo is common and DO is connected to G0. For CMF10, DO1 and DO2, the outputs can handle 12 VA. For CMF10-230, DO1 and DO2, the outputs can handle 3.8 VA when using the internal transformer.

#### Control mode 5

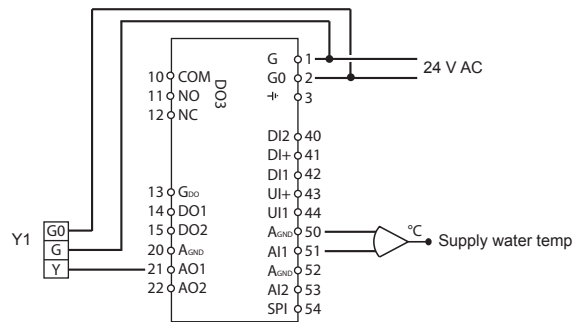


Figure 4. Wiring example: CMF10 with 0...10 V actuator

#### The display menu system

The display menu system is divided into three levels, the configuration level (10-second level), the clock and scheduler level (3-second level) and the basic level.

#### The configuration level (10-second level)

This level is shown the first time the unit is connected. It is reached from the Base Display (see the section *The basic level* below) by holding the encoder button depressed for 10 seconds. The 10-second level holds all the configuration menus. Note: The controller must display the Base Display when pressing the encoder knob to reach the 10-second level.

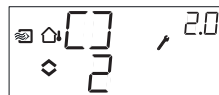


Table 2 below shows how the 10-second level is organised. When you enter the 10-second level, you will see menu level 0. Here, you choose the control mode. You navigate through the menus and control modes by turning and clicking on the encoder knob. Different menus are shown depending on the configuration.

Table 2. Display menus in the 10-second level

Menu level	Control modes				
0	1 Supply air temp. control 	2 Supply air temp. contr. with outd. compensation 	3 Cascade control 	4 Radiator control with outdoor curve 	5 Domestic hot water control 

1					-
1.A	Actuating time 	Actuating time 	Actuating time 	Actuating time 	-
2	Output signal 	Output signal 	Output signal 	-	-
3	Neutr. zone 	Neutr. zone 	Neutr. zone 	-	-
4	P-band 	P-band 	P-band 	P-band 	P-band 
5	I-time 	I-time 	I-time 	I-time 	I-time 
6	Damper minimum position 	Damper minimum position 	Damper minimum position 	0°C temperature boost 	D-factor 
6	-	-	P-band cascade 	-	-
7	Function for input UI1 	Function for input UI1 	Function for input UI1 	Pump exercise 	Over-heating 

7.b	Valve position at controlled stop 	Valve position at controlled stop 	Valve position at controlled stop 		
8	-	Startpoint for outdoor compensation 	Supply air min limit 	Low set-point (at +20°C outdoor temp.) 	-
9	-	Maximum compensation (at -20°C outdoor temp.) 	Supply air max limit 	High set-point (at -20°C outdoor temp.) 	-
E	External setpoint 	External setpoint 	External setpoint 	External setpoint 	
11	I/O 	I/O 	I/O 	I/O 	I/O 
Menu OK					

Choose control mode in menu level 0 by clicking on the knob so the “Menu holds changeable values” symbol (see the section *Display symbols* below) starts flashing, and then turning the knob. When the control mode you want to choose is displayed, click once more on the knob so the “Menu holds changeable values” symbol stops flashing.

When you have chosen the control mode, you move between the menu levels by turning the knob when the “Menu holds changeable values” symbol is not flashing.

In some cases, making a certain choice in one menu will mean that you will only see certain other menus.

**Example:** To set the I-time for control mode 3 (Cascade connected room / extract air temperature control), go to menu 3.5. Click on the encoder knob. The “Menu holds changeable values” symbol will start flashing. Change the value by turning the knob and confirm the change by clicking on the knob.

To exit the 10-second level, go to Menu OK and click on the encoder

knob. The Time and Scheduler level will be displayed. To exit the Time and Scheduler level, go to the OK menu after the scheduler menus, and click on the encoder knob. You will be returned to the Base Display. There is also a time-out function that will automatically exit the configuration level after 5 minutes of inaction.

Menu 1.1, 2.1, 3.1, 4.1 : Selection of the actuator's type

When choosing an actuator 3-point control, you will come to a new menu: 1.A, 2.A, 3.A or 4.A. This menu shows the actuating time of the actuator 3-point control.

Menu 1.7, 2.7, 3.7: Function for input UI1

There are four different setting options for UI1: 1. Frost protection AO1, 2. Frost protection AO2, 3. High temperature limit switch, 4. “-” (empty input). The output type is shown in menu 1. If frost protection is desired when using a 3-position actuator, set UI1 to “1”. When using a 3-position actuator, the alarm output cannot be used.

#### Storage of settings

All configuration settings become valid as soon as they are entered by clicking the encoder knob. They are however not written to the flash memory until you exit the configuration level either via the OK menu or via the time-out function.

To exit the configuration level without saving the changes to flash memory, cut the supply voltage when still in the configuration level. All values will be kept as they were before you entered the configuration level.

See the “CMF10 Manual” for more information about the configuration menus in the 10-second level.

#### The clock and scheduler level (3-second level)

This level is reached from the Base Display by holding the encoder button depressed for 3 seconds. The 3-second level holds all menus for setting the clock and scheduler program. The scheduler function is only available for control modes 1, 2, 3 and 4. Note: The controller must display the Base Display when pressing the encoder knob to reach the 3-second level.



This sample display shows that the time is 13:48 on a Friday, the fifth day of the week. To set the clock, click the knob and the day-of-the-week number will start flashing. Turn the knob until the correct day is shown, Monday is 1, Tuesday 2 etc, and then click the knob again to acknowledge the choice. Now the hours will flash. Set them in the same way and then finally the minutes. After confirming the minutes the menu will change to show the first of the scheduler menus. Note: The clock is not year- or date-based and does not have automatic summertime adaption.

There are 4 ON-points and 4 OFF-points. Each point has its own menupage where 0.1, 0.3, 0.5 and 0.7 are ON-points and 0.2, 0.4, 0.6 and 0.8 are OFF-points.

Control modes 1, 2 and 3

For control modes 1-3, the ON-points will start the unit and the OFF-points will shut it down.

**Example:** You wish the unit to run Monday to Friday between 07:30 and 18:00, Saturday 8:00 to 14:00. Set the first on-time to day 8 (which corresponds to every day Monday through Friday) and 7:30, the first off-time to day 8 and 18:00. Set the second on-time to day 6 (the sixth day of the week) and 8:00 and the second off-time to day 6 and 14:00. Set all other menus to day -- (unused menus).

After the eight switching point menus there is a ninth, 0.9. There the present output status of the scheduler is shown and you can manually override the setting. If, for example, the switch is shown as ON and you change it to OFF it will remain off either until you manually change it to On again or until the next timer ON-point is reached. After the scheduler menus there is a final menu, OK. A click on the encoder knob will exit the Time and Scheduler level and return you to the Base Display.

Control mode 4

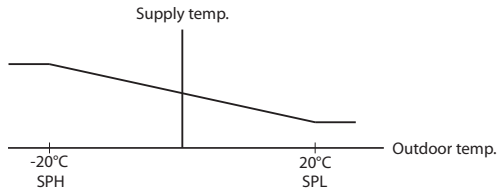
Control mode 4 uses the scheduler for switching to economy mode (ECO) where the temperature is lowered by a settable number of degrees. The ON-points will switch ECOmomy period on and the OFF-points will switch back to comfort temperature.

**Example:** Every weekday morning you want the temperature to start rising at 06:00 and remain at comfort level until 21:00. On Saturday and Sunday you want high temperature from 07:00 to 23:30. Set first on-time to day 8 and 21:00, the first off-time to day 8 and 06:00. Set the second on-time to day 6 and 23:30 and the second off-time to day 6 and 07:00. Set the third on-time to day 7 and 23:30 and the third off-time to day 7 and 07:00.

After the eight switching point menus there is a ninth, 0.9. In this menu you set the number of degrees you wish to lower the room temperature setpoint during the economy periods. If no room sensor is connected the supply water setpoint will be lowered by 3 times the set value.

After the scheduler menus there is a final menu, OK. A click on the encoder knob will exit the Clock and Scheduler level and return you to the Base Display.

## Outdoor compensation

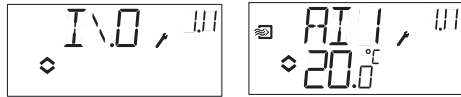


### The basic level

The Base Display is shown when there is no operator activity.



**I/O:** By turning the knob counter clockwise when the Base Display is shown, until the text I/O is displayed, and then clicking on the knob, you can access a menu where you can look at the values and states of all the inputs and outputs. To exit this menu, click on the knob and then turn it clockwise and you will be returned to the Base Display.



**Setpoint:** When in the Base Display, a click on the encoder button gives direct access to the Setpoint menu. To change the setpoint, click on the encoder knob again. The "Menu holds changeable values" symbol will start flashing. Change the value by turning the knob and confirm the change by clicking on the knob.



From revision R20, it is possible to either use an external PT1000 setpoint device or to set the setpoint value via the display. External setpoint can only be used for control modes 1-4. For control mode 4, a room sensor is also required. For choice of internal or external setpoint, go to menu 1.E, set EXT SP to ON for external setpoint or OFF for internal. When using an external setpoint device, you can only see the current setpoint in the setpoint menu.



Configuration menu: choice of external or internal setpoint



I/O menu: SPI selected, the actual value is shown

**Calculated setpoint:** For control modes with outdoor temperature compensation or cascade control, the controller does not work towards a fixed setpoint value. Instead, it works towards a calculated setpoint, which varies with the outdoor temperature or, when using cascade control, the room temperature. The calculated setpoint is displayed by turning the knob clockwise when in the Base Display.



### Control mode 2

Supply air temp control with outdoor compensation

### Control mode 3

Cascade connected room control

### Control mode 4

Radiator circuit control with outdoor curve

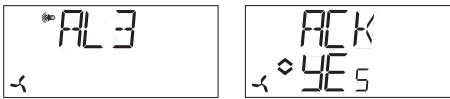
**Alarm handling:** If there are any active alarms, clicking on the encoder button will instead give access to the alarm handling menus. Here the alarms are displayed and can be acknowledged. There is one menu display for each alarm with symbols showing which type of alarm it is. If there are any active, unacknowledged alarms, the alarm indicator in the Base Display will light up and start flashing. DO1 will be activated as a sum alarm output if a 3-position actuator is not being used.

There are four different alarm types:

- AL1** Frost protection alarm. The frost protection temperature has fallen below 7°C. The frost protection temperatures are fixed values. Frost protection control is initiated at 12°C, alt.when the frost protection switch is triggered and the U1 is open.
- AL2** High temperature limit switch activated.
- AL3** Fan indication alarm. Either there is no fan indication input on DI1 when the fan start output, DO3 is active or DI1 is active although there is no fan start signal on DO3. The fan alarm has a 30 second delay.
- AL4** Sensor error. A sensor input is open circuit.

A symbol shows which type of alarm it is. Snowflake for frost protection, sun for high temperature limit switch, a fan for fan indicator and the input symbol for sensor error.

If there are multiple alarms, turn the knob to scroll through them. To acknowledge an alarm, click the knob to enter change mode. Then turn it to change No to Yes and click to acknowledge.

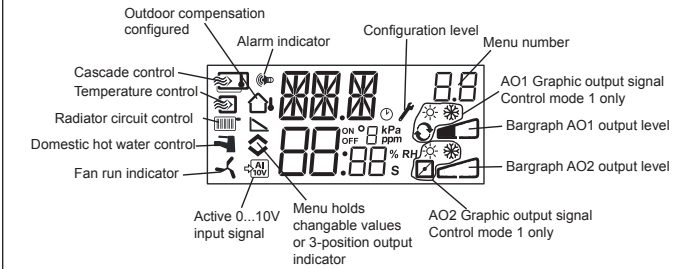


An alarm will remain on the alarm list until it is both acknowledged and has reset. The alarm indicator in the Base Display will remain lit until the alarm list is empty. However, it will only continue to flash as long as there

are unacknowledged alarms in the list. Thereafter it will remain lit until all alarms have reset. If DO1 is used as alarm output it will remain activated as long as there are unacknowledged alarms in the alarm list. DO1 cannot be used as an alarm output when 3-point control has been selected.

See the "CMF10 Manual" for more information about alarm handling.

## Display symbols



## Reset to factory setting

CMF10 can be reset to factory settings by configuring Domestic hot water control (mode 5) and setting the D-factor to 99. Go to the Base Display. Then cut the power supply. When power is reapplied all configuration and scheduler settings will be reset to factory setting.

## EMC emission and immunity standard

The product fulfills the demands for the current European EMC-standard CENELEC EN 61000-6-1 and EN 61000-6-3, and is CE-marked.

## LVD, Low Voltage Directive

The product fulfills the demands for the current European LVD-standard EN 61010-1.

## Contact

### AB Industrietechnik Srl

Via Julius Durst, 70 - 39042 Bressanone (BZ) - Italy  
Tel. +39 0472/830626 - Fax +39 0472/831840  
www.industrietechnik.it - info@industrietechnik.it



# ISTRUZIONI

## CMF10, CMF10-230



Prima dell'installazione e del cablaggio del prodotto, leggere le presenti istruzioni.

OCT 13



In tutti i casi in cui viene utilizzato il simbolo, consultare la documentazione per individuare la natura dei potenziali rischi e le azioni da intraprendere

### Regolatore con display

Il modello CMF10 è un regolatore preprogrammato configurabile. È dotato di 10 ingressi/uscite e può essere configurato per il controllo della temperatura (controllo della ventilazione con funzione di riscaldamento e raffreddamento), il controllo di un sistema di riscaldamento a radiatori ad acqua con curva di compensazione in base alla temperatura esterna e per il controllo dell'acqua calda sanitaria. A partire dalla revisione R20, può essere collegato un dispositivo di setpoint esterno, utilizzabile per le modalità di controllo da 1 a 4. La serie CMF10 è disponibile in due versioni, il modello CMF10 con tensione di alimentazione a 24 V CA e il modello CMF10-230 con tensione di alimentazione a 230 V CA. Tutte le configurazioni e il normale utilizzo vengono gestiti tramite il display e la manopola sul pannello frontale.

### Dati tecnici

Tensione di alimentazione

CMF10-230 230 V CA +10/-15%, 50...60 Hz  
CMF10 24 V CA ±15%, 50...60 Hz

Potenza assorbita 6 VA

Temperatura ambiente 0...50°C

Umidità ambiente 95% max di UR

Temperatura di stoccaggio -20...70°C

Display Numerico/grafico retroilluminato

Ingressi Fare riferimento alle illustrazioni di collegamento e alla tabella sottostante

Morsettiera A innesto, per cavi con sez. max 2,5 mm<sup>2</sup>

Classe di protezione IP20

Materiale, scatola Policarbonato, PC

Peso

CMF10-230 370 g incl. morsetti

CMF10 215 g incl. morsetti

Dimensioni 122 x 120 x 64 mm (LxAxP incl. morsetti)

Categoria di sovratensione 3

Grado d'inquinamento 2

### Ingressi

AI Risoluzione: 10 bit A/D

AI1 Sensore PT1000, campo di misura 0...84°C

AI2 Sensore PT1000, campo di misura -30...+54°C

SPI Dispositivo di setpoint PT1000, intervallo 0...40°C

UI

AI PT1000, campo di misura 0...84°C

o DI Contatto in chiusura libero da potenziale

Riferimento per AI

UI+ Riferimento per UI

DI Contatto in chiusura libero da potenziale

DI+ Riferimento per DI

### Uscite

AO 0...10 V CC; 8 bit D/A protetto da corto circuito

DO1 e DO2 (CMF10) Controllo a triac, 24 V CA, 0,5 A continuo (collegato a G0)

DO1 e DO2 (CMF10-230) Controllo a triac, 24 V CA, 0,16 A continuo con trasformatore interno (collegato a G0)

DO3 Relè in commutazione (SPDT) 230 V CA, 1000 VA

GDO Riferimento per DO1 e DO2. Uscita 24 V CA

### Valori di setpoint

	Temperatura	Impostazione di fabbrica
Aria di mandata	10...80 °C	21 °C
Controllo a cascata, ambiente	10...50 °C	21 °C
Controllo circuito radiatore (solo se si utilizza un sensore ambiente)	10...40 °C	21 °C
Setpoint esterno	0...40°C	
Acqua calda sanitaria	10...80°C	55°C
Zona neutra	0...10°C	1°C
Banda proporzionale	0...99°C	15°C
Tempo di integrazione	0...990 s	60 s
Tempo derivativo	0...99 s	0
Banda prop.funzione in cascata	0,5...99°C	15°C
Min temp. funzione in cascata	0...99°C	15°C
Max temp. funzione in cascata	0...99°C	25°C
Limite min serranda	0...99 %	10 %
Inizio compens. esterna	-30...50°C	10°C
Compensazione esterna a temp. esterna -20 °C	-10...10 °C	5°C
Temperatura di mandata (riscaldamento con radiatori ad acqua)		
a temp. esterna -20°C	0...99°C	60°C
a temp. esterna 20°C	0...99°C	20°C
Protezione antigelo	7 °C (fisso)	
SP. Modalità di arresto	25 °C (fisso)	
Tempo attuatore a 3 punti	10...300 s	120 s



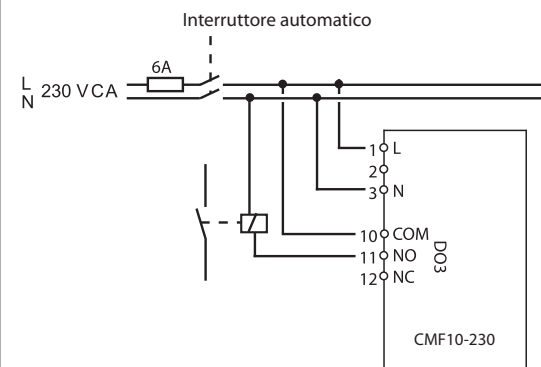
### Installazione

Il modello CMF10-230 deve essere installato in un contenitore (DIN o simile) che ne consenta l'utilizzo senza rischio di scosse elettriche e in conformità ai requisiti della norma sulla bassa tensione. Vedere la sezione relativa all'installazione nel "Manuale CMF10".



### Disconnessione

Il regolatore CMF10-230 deve essere collegato ad un interruttore o a un interruttore automatico dell'impianto dell'edificio. L'interruttore deve trovarsi nelle immediate vicinanze del regolatore e deve essere facilmente accessibile dall'operatore, oltre ad essere chiaramente contrassegnato come dispositivo preposto alla disconnessione dell'apparecchio.



### Protezione da sovracorrente

Il regolatore CMF10-230 deve essere protetto mediante l'inserimento di un fusibile nell'impianto dell'edificio. Considerato il carico massimo del regolatore, pari a 1000 VA, si consiglia l'utilizzo di un fusibile da 6A.

Per il collegamento, seguire la tabella 1.

Tabella 1. Morsetti di collegamento I/O

Morsetto	Denominazione	Funzionamento
1	G	24 V CA Solo CMF10
2	G0	
3		
1	L	230 V CA Solo CMF10-230
2		
3	N	
10	Comune	DO3 Relè 230 V CA, 1000 VA
11	NO	
12	NC	
13	GDO	Riferimento per DO1 e DO2
14	DO1	Uscita digitale
15	DO2	Uscita digitale
20	AGnd	Riferimento per AO1 e AO2
21	AO1	Uscita 0...10 V CC
22	AO2	Uscita 0...10 V CC
40	DI2	Ingresso digitale
41	DI+	Riferimento per DI1 e DI2
42	DI1	Ingresso digitale
43	UI+	Riferimento per modalità digitale UI1
44	UI1	Ingresso universale PT1000 o digitale
50	AGnd	Riferimento per AI1 e UI1 analogico
51	AI1	Ingresso sensore di temp. PT1000

52	AGnd	Riferimento per AI2, SPI
53	AI2	Ingresso sensore di temp. PT1000
54	SPI	Ingresso dispositivo di setpoint PT1000

Per garantire una migliore immunità a eventuali disturbi, si consiglia di cablare i sensori utilizzando un doppino ritorto schermato. Collegare un'estremità dello schermo a terra.

### Modalità di controllo

Il modello CMF può essere configurato per le modalità di controllo descritte di seguito:

#### 1. Controllo della temperatura dell'aria di mandata

La temperatura dell'aria di mandata viene mantenuta al valore di setpoint mediante il controllo dei segnali di uscita su AO1 e AO2. Viene utilizzato un singolo loop di controllo PI. Collegare il sensore in AI1, anche se si utilizza soltanto un sensore ambiente.

#### 2. Controllo della temperatura dell'aria di mandata con compensazione esterna

La temperatura dell'aria di mandata viene mantenuta al valore di setpoint mediante il controllo dei segnali di uscita su AO1 e AO2. Viene utilizzato un singolo loop di controllo PI. Il setpoint viene impostato automaticamente in base alla temperatura esterna.

#### 3. Controllo in cascata della temperatura di mandata in funzione della temperatura dell'aria ambiente/in estrazione

Il setpoint della temperatura dell'aria di mandata viene regolato in base a un valore di scostamento della temperatura ambiente, fino all'azzeramento dello scostamento stesso. Vengono utilizzati loop di controllo PI. Per la temperatura dell'aria di mandata vengono stabiliti un limite minimo e uno massimo. È richiesto l'utilizzo di un sensore per la temperatura dell'aria di mandata e uno per la temperatura ambiente/aria in estrazione.

#### 4. Controllo circuito radiatori con curva di compensazione esterna

Il setpoint della temperatura dell'acqua viene impostato in base alla temperatura esterna. Viene utilizzato un singolo loop di controllo PI. È possibile aggiungere un sensore di temperatura ambiente per interventi correttivi in caso di divergenza della temperatura ambiente rispetto al setpoint. Senza sensore ambiente, il setpoint è costituito da uno spostamento parallelo della curva. Se si utilizza un sensore ambiente, il setpoint è il valore di setpoint della temperatura ambiente. Tale impostazione avviene in modo automatico se viene configurata la modalità di controllo 4.

#### 5. Controllo acqua calda sanitaria

La temperatura dell'acqua viene mantenuta costante mediante il controllo del segnale di uscita su AO1. Viene utilizzato un singolo loop di controllo PID.

### Modalità di controllo 1, 2 e 3

Per le modalità di controllo 1, 2 e 3 sono possibili le seguenti configurazioni delle uscite analogiche:

	AO1	AO2	Simboli visualizzati	
1	Riscaldamento	-	☀	☀
2	Raffreddamento	-	☀	☀
3	Riscaldamento	Raffreddamento	☀	☀
4	Riscaldamento	Riscaldamento	☀	☀
5	Raffreddamento	Raffreddamento	☀	☀
6	Riscaldamento	Serranda	☀	☀
7	Raffreddamento	Serranda	☀	☀

**Nota:** nelle modalità di controllo 1, 2 e 3, per avviare la funzione di controllo, è necessario che l'ingresso di indicazione della ventola (DI1) sia collegato (chiuso), altrimenti verrà generato l'allarme AL3. L'ingresso deve "seguire" l'uscita della ventola, cioè se l'uscita si chiude, anche l'ingresso deve chiudersi.

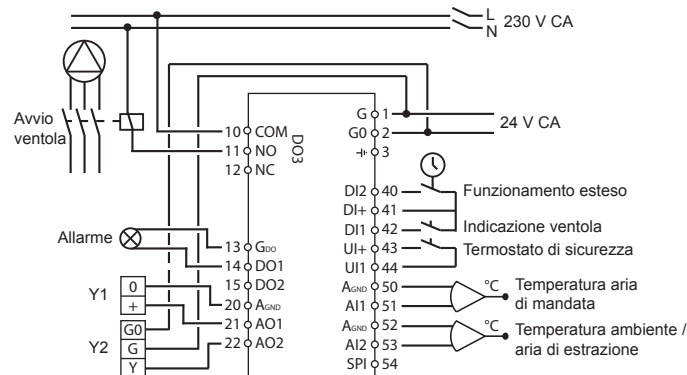


Figura 1. Esempio di cablaggio: CMF10 con riscaldamento elettrico Y1 (ad esempio tramite CTR25) e serranda Y2. Controllo in cascata.

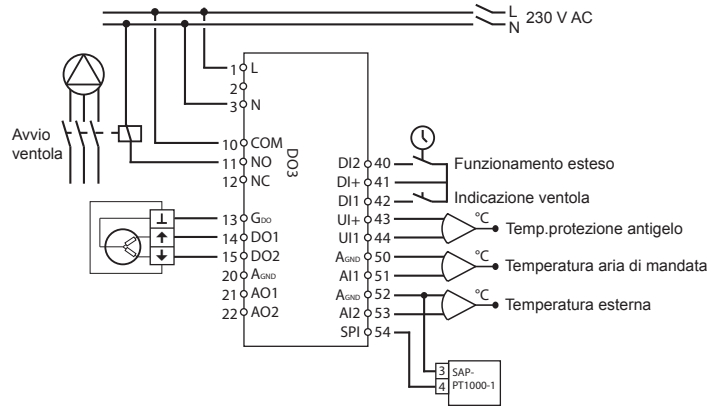


Figura 2. Esempio di cablaggio: CMF10-230 con riscaldamento dell'acqua, uscita a 3 posizioni. Controllo dell'aria di mandata con compensazione esterna e dispositivo di setpoint esterno.

Uscite digitali a 24 V CA, GDO comune e DO collegata a G0. Nel modello CMF10, le uscite DO1 e DO2 possono supportare 12 VA. Nel modello CMF10-230 le uscite DO1 e DO2 possono supportare 3,8 VA con trasformatore interno.

### Modalità di controllo 4

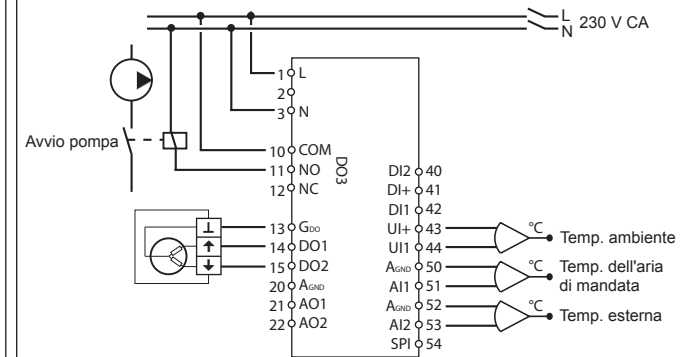


Figura 3. Esempio di cablaggio: CMF10 con attuatore a 3 punti e sensore di temperatura ambiente (utilizzabile anche senza sensore di temperatura ambiente).

Uscite digitali a 24 V CA, GDO comune e DO collegata a G0. Nel modello CMF10, le uscite DO1 e DO2 possono supportare 12 VA. Nel modello CMF10-230 le uscite DO1 e DO2 possono supportare 3,8 VA con trasformatore interno.

### Modalità di controllo 5

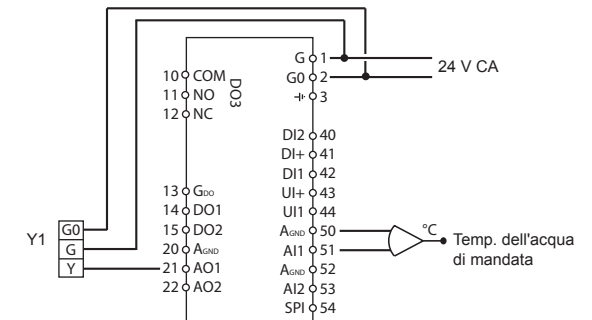


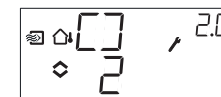
Figura 4. Esempio di cablaggio: CMF10 con attuatore 0...10 V

### Menu e display

Il sistema a menu è composto da tre livelli: un livello di configurazione (livello 10 secondi), un livello programmatore orario e orologio (livello 3 secondi) e un livello base.

#### Livello di configurazione (10 secondi)

È il livello che viene visualizzato la prima volta che si alimenta l'unità. Vi si accede anche dalla schermata base (vedere la sezione relativa al Livello di base riportata di seguito) tenendo premuta la manopola per circa 10 secondi. Il livello 10 secondi contiene tutti i menu di configurazione. Nota: per accedere al livello 10 secondi, sul regolatore deve essere visualizzata necessariamente la schermata base. Per esempio:



Nella tabella 2 riportata di seguito viene mostrata l'organizzazione del livello 10 secondi. Accedendo al livello 10 secondi, verrà visualizzato il livello menu 0, nel quale è possibile selezionare la modalità di controllo. Per spostarsi tra i menu e le modalità di controllo, ruotare e premere la manopola. A seconda della configurazione vengono visualizzati menu differenti.

Tabella 2. Menu visualizzati sul display nel livello 10 secondi

Livello menu	Modalità di controllo				
0	1 Controllo temp. aria di mandata 	2 Contr. temp aria di mandata con compensazione est. 	3 Controllo temp. aria di mandata in cascata 	4 Controllo circuito radiatore con curva esterna 	5 Controllo acqua calda sanitaria 
1	Tipo uscita 	Tipo uscita 	Tipo uscita 	Tipo uscita 	-
1.A	Tempo corsa 	Tempo corsa 	Tempo corsa 	Tempo corsa 	-
2	Segnale di uscita 	Segnale di uscita 	Segnale di uscita 	-	-
3	Zona neutra 	Zona neutra 	Zona neutra 	-	-
4	Banda proporzionale 	Banda proporzionale 	Banda proporzionale 	Banda proporzionale 	Banda proporzionale 
5	Tempo di integrazione 	Tempo di integrazione 	Tempo di integrazione 	Tempo di integrazione 	Tempo di integrazione 
6	Posizione di minimo serranda 	Posizione di minimo serranda 	Posizione di minimo serranda 	0 °C incremento di temperatura 	Tempo derivativo 
6	-	-	Banda proporz. cascata 	-	-

7	Funzione ingresso 1 	Funzione ingresso 1 	Funzione ingresso 1 	Prevenzione blocco pompa 	Surriscaldamento 
7.b	Posizione valvola con controllore in arresto 	Posizione valvola con controllore in arresto 	Posizione valvola con controllore in arresto 		
8	-	Punto di inizio compensazione esterna 	Limite min aria di mandata 	Setpoint inferiore (a +20 °C temp. esterna) 	-
9	-	Compensazione massima (a temp. esterna -20 °C) 	Limite max aria di mandata 	Setpoint superiore (a temp. esterna -20 °C) 	-
E	Setpoint esterno 	Setpoint esterno 	Setpoint esterno 	Setpoint esterno 	
11	I/O 	I/O 	I/O 	I/O 	I/O 
Menu OK	OK	OK	OK	OK	OK

Selezionare la modalità di controllo nel livello menu 0 premendo la manopola in modo che il simbolo che indica "valori modificabili" (vedere la sezione relativa ai Simboli visualizzati riportata di seguito) inizi a lampeggiare, quindi ruotare la manopola per selezionare la modalità di controllo

desiderata. Confermare premendo ancora una volta la manopola in modo che il simbolo che indica che il menu supporta valori modificabili smetta di lampeggiare.

Una volta selezionate la modalità di controllo, è possibile scorrere tra i livelli menu ruotando la manopola quando il simbolo , che indica che il menu supporta valori modificabili, non lampeggia. In alcuni casi, se si compiono determinate selezioni in uno dei menu, vengono visualizzati soltanto alcuni degli altri menu. Ogni volta che si conferma il valore impostato in un livello menu premendo la manopola, automaticamente si passa al livello menu successivo.

**Esempio:** Per impostare il tempo di integrazione per la modalità di controllo 3 (Controllo in cascata della temperatura di mandata in funzione della temperatura aria ambiente/in estrazione), andare al menu 3.5. Premere la manopola. Il simbolo , che indica che il menu supporta valori modificabili, inizia a lampeggiare. Modificare il valore ruotando la manopola e premere per confermare la modifica. Per uscire dal livello 10 secondi, ruotare la manopola in senso orario fino a visualizzare OK. Premerla. Verranno visualizzati i livelli orologio e programmatore orario. Per uscire da questi livelli, ruotare la manopola ancora in senso orario fino a visualizzare OK. Premerla nuovamente. Verrà visualizzata la schermata di base. È prevista inoltre una funzione di timeout che determina l'uscita dal livello di configurazione se non vengono effettuate operazioni per 5 minuti.

Menu 1.1, 2.1, 3.1, 4.1: selezione del tipo di attuatore. Selezionando l'opzione con attuatore a 3 punti, verrà visualizzato un nuovo menu: 1.A, 2.A, 3.A o 4.A. Questo menu mostra il tempo corsa dell'attuatore a 3 punti.

Menu 1.7, 2.7, 3.7: Funzione dell' ingresso UI1. Sono disponibili sei diverse opzioni di configurazione per UI1: "—" (nessuna funzione), "1" Protezione antigelo ing. analogico AO1, "2" Protezione antigelo ing. analogico AO2, "3" Termostato di sicurezza temperatura alta, "4" Ing. digitale termostato antigelo AO1, "5" Ing. digitale termostato antigelo AO2. Il tipo di uscita è indicato nel menu 1. Se si desidera attivare la funzione di protezione antigelo quando si utilizza un attuatore a 3 posizioni, impostare UI1 su "1" o su "4". Quando si utilizza un attuatore a 3 posizioni, l'uscita che indica l'allarme non è utilizzabile.

#### Salvataggio delle impostazioni

Tutte le impostazioni di configurazione acquistano validità non appena vengono confermate premendo la manopola. Tuttavia, non vengono scritte nella memoria flash fino a quando l'utente non esce dal livello di configurazione attraverso il menu OK o per effetto della funzione di timeout.

Per uscire dal livello di configurazione senza salvare le modifiche nella memoria flash, disinserire la tensione di alimentazione mentre si è ancora nel livello di configurazione. Verranno mantenuti i valori disponibili prima dell'accesso al livello di configurazione.

Per maggiori informazioni sui menu di configurazione nel livello 10 secondi, vedere il "Manuale CMF10".



### Orologio e programmatore orario (livello 3 secondi)

A questo livello si accede dalla schermata di base tenendo premuta la manopola per 3 secondi circa. Il livello 3 secondi contiene tutti i menu per impostare l'orologio e le fasce orarie. L'impostazione delle fasce orarie è disponibile soltanto per le modalità di controllo 1, 2, 3 e 4. Nota: per accedere al livello 3 secondi, sul regolatore deve essere visualizzata la schermata di base.



Nella schermata d'esempio viene visualizzato l'orario, le 13:48 di un venerdì, il quinto giorno della settimana. Per impostare l'orologio, premere la manopola: il numero del giorno della settimana inizia a lampeggiare. Ruotare la manopola fino a quando non viene visualizzato il giorno esatto. Lunedì corrisponde a 1, martedì a 2, ecc., quindi premere nuovamente la manopola per confermare la selezione. A questo punto inizieranno a lampeggiare le ore, che possono essere impostate con la stessa procedura utilizzata in precedenza; infine impostare i minuti. Dopo aver confermato i minuti, il menu si modificherà visualizzando il primo dei menu dei programmi orari. Nota: l'orologio non è basato sull'anno o sulla data e non è dotato della funzione automatica di adattamento all'ora legale.

Sono disponibili 4 punti di attivazione e 4 di disattivazione giornalieri. Per ciascun punto è prevista una pagina di menu, laddove i menu 0.1, 0.3, 0.5 e 0.7 sono relativi ai punti di attivazione e i menu 0.2, 0.4, 0.6 e 0.8 ai punti di disattivazione.

#### Modalità di controllo 1, 2 e 3

Per le modalità di controllo 1-3 i punti di attivazione avviano l'unità, mentre i punti di disattivazione ne determinano lo spegnimento.

**Esempio:** Si desidera che l'unità sia attiva dal lunedì al venerdì dalle 07:30 alle 18:00 e il sabato dalle 8:00 alle 14:00. Impostare il giorno 8 (che corrisponde a tutti i giorni dal lunedì al venerdì) e le 7:30 come primo orario di funzionamento e il giorno 8 e le 18:00 come primo orario di disattivazione. Impostare quindi il giorno 6 (sesto giorno della settimana) e le 8:00 come secondo orario di funzionamento e il giorno 6 e le 14:00 come secondo orario di disattivazione. Impostare tutti gli altri menu su giorno -- (menu inutilizzati).

Oltre ai menu per gli otto punti di commutazione oraria, ne esiste un nono, il menu 0.9. In questo menu viene visualizzato lo stato di uscita corrente del programmatore orario e l'utente può intervenire manualmente sull'impostazione. Ad esempio, se è visualizzato come attivo (ON) e lo si modifica in disattivo (OFF), l'unità rimarrà spenta fino a quando non verrà cambiato manualmente di nuovo in attivo o finché non verrà raggiunto il successivo punto di attivazione previsto dal programma orario. Alla fine del menu programmazione oraria compare OK. Premendo la manopola si esce dal livello orologio e fasce orarie e si torna alla schermata di base.

#### Modalità di controllo 4

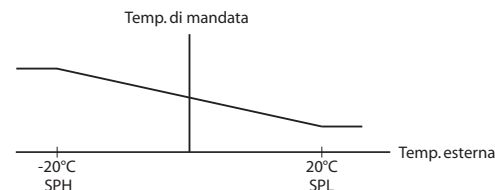
La modalità di controllo 4 utilizza la funzione programmatore orario per passare alla modalità Economy (ECO) in cui la temperatura di setpoint viene diminuita di un numero di gradi configurabile. I punti di attivazione (ON) determinano l'inizio del periodo Economy, mentre i punti di disattivazione (OFF) riportano l'unità in modalità Comfort.

**Esempio:** Si desidera che nei giorni feriali la temperatura inizi a salire il mattino alle 06:00 e rimanga su un livello confortevole fino alle 21:00. Il sabato e la domenica si desidera una temperatura maggiore dalle 07:00 alle 23:30.

Impostare il giorno 8 e le 21:00 come primo orario di attivazione Economy, e il giorno 8 e le 06:00 come primo orario di disattivazione Economy. Impostare il giorno 6 e le 23:30 come secondo orario di attivazione Economy, e il giorno 6 e le 07:00 come secondo orario di disattivazione Economy. Impostare il giorno 7 e le 23:30 come terzo orario di attivazione Economy, e il giorno 7 e le 07:00 come terzo orario di disattivazione Economy.

Oltre ai menu per gli otto punti di commutazione oraria, ne esiste un nono, il menu 0.9. Questo menu consente di impostare il numero di gradi di cui si desidera diminuire il setpoint della temperatura durante i periodi in modalità Economy. Se non è stato collegato alcun sensore ambiente, il setpoint dell'acqua di mandata viene diminuito di 3 volte il valore impostato. Alla fine del menu programmazione oraria compare OK. Premendo la manopola si esce dal livello orologio e programmazione oraria confermando i valori immessi e si torna alla schermata di base.

### Compensazione esterna



### Livello base

La schermata di base viene visualizzata in assenza di attività da parte dell'operatore e di solito indica l'ora corrente, una temperatura in base alla modalità di controllo impostata e una serie di simboli grafici per visualizzare il funzionamento del regolatore.



**I/O:** Dalla schermata di base, ruotando la manopola in senso antiorario fino a quando compare il testo I/O, e premendola, è possibile accedere a un menu nel quale sono visualizzati i valori e gli stati di tutti gli ingressi e le uscite. Per uscire da questo menu, premere la manopola e ruotarla in senso orario fino a quando viene nuovamente visualizzata la schermata di base.



**Setpoint:** Dalla schermata di base, premendo una volta la manopola, si accede direttamente al menu del setpoint. Per modificare il setpoint, premere nuovamente la manopola. Il simbolo  $\diamond$  che indica che il menu supporta valori modificabili inizia a lampeggiare. Modificare il valore ruotando la manopola e premere per confermare la modifica.



A partire dalla revisione R20, è possibile utilizzare un dispositivo di setpoint PT1000 esterno o impostare il valore di setpoint dal display. Il setpoint esterno è utilizzabile solo per le modalità di controllo da 1 a 4. Per la modalità di controllo 4 è possibile anche utilizzare una sonda ambiente. Per la scelta tra setpoint interno ed esterno, accedere al menu 1.E, impostare EXT SP su ON per il setpoint esterno o su OFF per quello interno. Se si utilizza un dispositivo di setpoint esterno, è possibile vedere il setpoint attuale solo nel menu di setpoint.



Menu di configurazione: selezione del setpoint esterno o interno

Menu I/O: selezionato SPI, viene visualizzato il valore effettivo

**Setpoint calcolato:** Per le modalità di controllo con compensazione della temperatura esterna o controllo a cascata, il regolatore non funziona rispetto a un valore di setpoint fisso, bensì, rispetto a un setpoint calcolato, che varia in funzione della temperatura esterna o, se si utilizza il controllo a cascata, in base alla temperatura ambiente. Il setpoint calcolato viene visualizzato ruotando la manopola in senso orario mentre è visualizzata la schermata di base.



#### Modalità di controllo 2

Controllo temperatura aria di mandata con compensazione esterna

#### Modalità di controllo 3

Controllo in cascata della temperatura di mandata

#### Modalità di controllo 4

Controllo circuito radiatore con curva esterna

**Gestione degli allarmi:** Premendo la manopola quando si manifesta un qualsiasi allarme, si accede al menu di gestione degli allarmi, nel quale gli allarmi vengono visualizzati e possono essere confermati. È disponibile una schermata di menu per ogni allarme con simboli specifici per ciascun tipo di allarme.

Se sono presenti allarmi attivi non confermati, l'indicatore di allarme presente nella schermata di base si attiva e inizia a lampeggiare. Se non si utilizza un attuatore a 3 punti, DO1 viene attivato come uscita di allarme cumulativo.

Sono disponibili quattro tipi di allarme:

- AL1** Allarme protezione antigelo. La temperatura di protezione antigelo è scesa sotto i 7 °C (Le temperature di protezione antigelo sono valori fissi. Il controllo per la protezione antigelo inizia a 12 °C) o il contatto del termostato antigelo su UI1 è aperto.
- AL2** Intervento del termostato di sicurezza di sovratemperatura.
- AL3** Allarme di indicazione della ventola. Non è presente nessun ingresso di indicazione di funzionamento della ventola in DI1 quando l'uscita per l'avvio della ventola D03 è attiva. Oppure l'ingresso DI1 è attivo (chiuso) nonostante l'assenza del segnale di avvio della ventola sull'uscita DO3. L'allarme della ventola ha un ritardo di 30 secondi.
- AL4** Errore sensore. Un ingresso sensore è un circuito aperto (sensore guasto o non collegato).

Un simbolo indica di che tipo di allarme si tratta. Il fiocco di neve segnala un allarme di protezione antigelo, il sole l'attivazione del termostato di sicurezza, la ventola l'indicatore della ventola e il simbolo dell'ingresso indica un errore sensore.

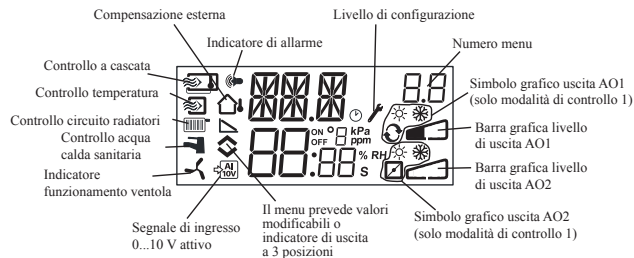
In presenza di allarmi multipli, ruotare la manopola per passare da uno all'altro. Per confermare un allarme, premere la manopola e quindi ruotarla cambiando il No in Sì e confermare la selezione premendo nuovamente.



Gli allarmi rimangono disponibili nell'apposito elenco fino a quando non vengono confermati e azzerati. L'indicatore di allarme nella schermata di base rimane acceso finché l'elenco degli allarmi non risulta vuoto. Il lampeggio continua invece solo fino a quando nell'elenco sono presenti allarmi non confermati, dopodiché l'indicatore rimane comunque acceso finché tutti gli allarmi non sono stati azzerati. Se viene utilizzata come uscita di allarme, l'uscita DO1 rimane attiva fino a quando l'elenco contiene allarmi non confermati. DO1 non può essere usata come uscita di allarme se è stata selezionata l'opzione di controllo con attuatore a 3 punti.

Per maggiori informazioni sulla gestione degli allarmi vedere il "Manuale CMF10".

### Simboli visualizzati



### Ripristino impostazioni di fabbrica

Nel modello CMF10 è possibile ripristinare le impostazioni di fabbrica, configurando la modalità di controllo 5 (controllo acqua calda sanitaria) e impostando il parametro "d" al valore 99. Ruotare la manopola in senso orario fino a visualizzare OK. Premerla. Viene visualizzato il menu programmatore orario. Ruotare nuovamente in senso orario fino a OK e premere. Viene visualizzata la schermata di base. Quindi disinserire l'alimentazione elettrica. Reinserendo l'alimentazione, tutte le configurazioni e le impostazioni del programmatore orario saranno reimpostate sui valori di fabbrica. Sarà necessario anche regolatore nuovamente l'orologio.



### Emissioni EMC e standard di immunità

Il prodotto risponde ai requisiti degli standard europei EMC, CENELEC EN 61000-6-1 e EN 61000-6-3 ed è contrassegnato dal marchio CE.

### LVD, Direttiva sulla bassa tensione

Il prodotto risponde ai requisiti previsti dalle norme europee della Direttiva sulla bassa tensione (LVD) EN 61010-1.

### Contatti

**AB Industrietechnik Srl**  
Via Julius Durst, 70 - 39042 Bressanone (BZ) - Italy  
Tel. +39 0472/830626 - Fax +39 0472/831840  
www.industrietechnik.it - info@industrietechnik.it

# INSTRUCTION

## CMF10, CMF10-230



**Veillez lire cette instruction avant de procéder à l'installation et au raccordement de l'appareil.**



**Reportez-vous à la documentation à chaque fois que ce symbole est utilisé pour vérifier la nature des risques encourus et les mesures de précautions à prendre.**

### Régulateur avec écran

CMF10 est un régulateur préprogrammé configurable. CMF10 est doté de 10 entrées/sorties et peut être configuré pour contrôler la température (contrôle de ventilation avec chauffage ou refroidissement), le chauffage par radiateur à eau avec loi de compensation en fonction de la température extérieure ou pour la régulation de l'eau chaude sanitaire.

À partir de la révision R20, il est possible de connecter un potentiomètre de consigne externe qui peut être utilisé avec les modes 1-4. CMF10 est disponible en deux versions : CMF10 avec une alimentation en 24 V AC et CMF10-230 avec une alimentation en 230 V AC.

La configuration et la gestion de l'automate se font directement à partir de l'écran et à l'aide du bouton de commande rotatif.

### Caractéristiques techniques

Tension d'alimentation

CMF10-230	230 V AC +10%, -15%, 50...60 Hz.
CMF10	24 V AC ±15%, 50...60 Hz.

Consommation d'énergie

6 VA

Température ambiante

0..0,50 °C

Humidité ambiante

Max. 95 %HR

Température de stockage

-20...70 °C

Ecran

Numérique / graphique. Rétro-éclairage.

Entrées

Voir les schémas de connexion et les tableaux ci-après.

Borniers de connexions

Débrochables, pour câble avec une section de 2,5 mm<sup>2</sup> max.

Indice de protection

IP00

Matière, boîtier

Polycarbonate, PC

Poids

CMF10-230 370 g borniers inclus

CMF10 215 g borniers inclus

Dimensions

122 x 120 x 64 mm (borniers inclus)

Catégories surtension

3

Degré de pollution

2

### Entrées

AI	Résolution: 10 bits analogique/numérique
AI1	Sonde PT1000, plage de mesure 5...+80 °C
AI2	Sonde PT1000, plage de mesure -30...+50 °C
SPI	Potentiomètre de consigne PT1000, plage de temp. 0...40 °C
UI	
AI	Sonde PT1000, plage de mesure 0...+80 °C
ou DI	Contact libre de potentiel NO
AGND	Borne de référence pour les entrées analogiques
UI+	Borne de référence pour les entrées universelles
DI	Contact libre de potentiel NO
DI+	Borne de référence pour les entrées digitales (DI)

### Sorties

AO	0...10 V DC, 8 bits numérique/analogique, protection contre les courts-circuits.
DO1 et DO2 (CMF10)	Contrôle par triac, 24 V AC, 0,5 A continu (connecté à G0)
DO1 et DO2 (CMF10-230)	Contrôle par triac, 24 V AC, 0,16 A continu avec trafo interne (connecté à G0)
DO3	Contact inverseur (SPDT) 230 V AC, 1 000 VA
GDO	Borne de référence pour DO1 et DO2. Sortie 24 V AC

### Points de consigne

	Température	Réglages usine
Air soufflé	10...80 °C	21 °C
Ctrl d'ambiance en cascade	10...50 °C	21 °C
Régul. d'une boucle de radiateur (seulement avec une sonde d'ambiance)	10...40 °C	21 °C
Consigne externe	0...40 °C	
Température de soufflage	10...80 °C	21 °C
pièce	10...50 °C	21 °C
ECS	10...80 °C	55 °C
Zone neutre	0...10 °C	1 °C
Bande proportionnelle	0...99 °C	15 °C
Temps d'intégration	0...990 s	60 s
Facteur D	0...99	0
Bande proportionnelle en cascade	0,5...99 °C	15 °C
Cascade mini.	0...99 °C	15 °C
Cascade max.	0...99 °C	25 °C
Limite mini registre	0...99 %	10 %
Mise en route de la		

compensation extérieure	-30...50 °C	10 °C
Compensation extérieure pour une temp.ext égale à -20 °C	-10...10 °C	5 °C
Température d'entrée (boucle de chauffage à eau) pour une température extérieure de -20 °C	0...99 °C	60 °C
pour une température extérieure de +20 °C	0...99 °C	20 °C
Protection contre le gel	7 °C (fixe)	
SP. (consigne) mode veille	25 °C (fixe)	
Durée course actionneur		
3 points	10...300 s	120 s



### Installation

CMF10-230 doit être installé dans une armoire au standard DIN ou équivalent afin d'éviter les risques de chocs électriques et afin de répondre aux exigences de la directive BT. Voir aussi le chapitre *Installation* dans le manuel « CMF10 - Manuel ».



### Déconnexion

CMF10-230 doit être connecté à un disjoncteur pour permettre de couper le courant si nécessaire. Le disjoncteur doit être placé à proximité de l'CMF, bien en évidence et être facilement accessible et clairement identifié.



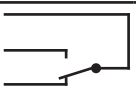
### Protection contre les surintensités

Le régulateur CMF10-230 doit être protégé par un fusible. La charge maximum étant 1 000 VA, un fusible de 6 A est adéquat.

Voir le tableau 1 pour les raccordements.

Tableau 1. Borniers de raccordement des E/S.

Borne	Désignation	Fonctionnement
1	G	24 V AC CMF10 uniquement
2	G0	
3		
1	L	230 V AC CMF10-230 uniquement
2		
3	N	

10	Neutre	 DO3 Relais 230 V AC, 1 000 VA
11	NO	
12	NF	
13	GDO	Borne de référence pour DO1 et DO2.
14	DO1	Sortie digitale
15	DO2	Sortie digitale
20	AGnd	Référence pour AO1 et AO2
21	AO1	Sortie 0...10 V
22	AO2	Sortie 0...10 V
40	DI2	Entrée digitale
41	DI+	Référence pour DI1 et DI2
42	DI1	Entrée digitale
43	UI+	Référence pour UI1
44	UI1	Entrée universelle PT1000 ou digitale
50	AGnd	Référence pour AI1
51	AI1	Entrée sonde de temp. PT1000
52	AGnd	Référence pour AI2
53	AI2	Entrée sonde de temp. PT1000
54	SPI	Entrée potentiomètre de consigne PT1000

Pour limiter les perturbations, utilisez des câbles blindés lorsque vous câblez les sondes. Reliez la protection à la terre.

### Modes de régulation

CMF peut être configuré pour les modes de contrôles suivants :

#### 1. Régulation à soufflage constant.

La température de soufflage est maintenue à la température de consigne en jouant sur les sorties AO1 et AO2. Une seule boucle PI est utilisée. Connecter la sonde sur AI1, même lorsque seule une sonde d'ambiance est utilisée.

#### 2. Régulation du soufflage avec compensation de la température extérieure

La température de soufflage est maintenue à la température de consigne en jouant sur les sorties AO1 et AO2. Une seule boucle PI est utilisée. Le point de consigne s'ajuste automatiquement en fonction de la température extérieure.

#### 3. Régulation d'ambiance/de reprise avec fonction cascade

Le moindre décalage de la température ambiante entraîne l'ajustement du point de consigne de la température de soufflage

afin de faire disparaître l'écart Des boucles de régulation PI sont utilisées. La température de soufflage est bornée. Il convient d'utiliser une sonde de température de soufflage et une sonde d'air ambiant/extrait.

#### 4. Régulation du chauffage (radiateurs) en fonction de la température extérieure

La consigne de température de l'eau est ajustée en fonction de la température extérieure. Une seule boucle PI est utilisée. Une sonde de température d'ambiance peut être utilisée en complément afin de permettre de corriger les éventuels écarts par rapport à la consigne de température ambiante. Sans sonde ambiante, le point de consigne correspond à un déplacement parallèle de la courbe. En cas d'utilisation d'une sonde d'ambiance, le point de consigne est celui de la pièce. Il se règle automatiquement en configurant le mode de régulation 4.

#### 5. Régulation de l'eau chaude sanitaire

La température de l'eau est maintenue constante en jouant sur la sortie AO1. Une seule boucle PID est utilisée.

#### Modes de régulation 1, 2 et 3

Avec ces trois modes de contrôle, vous pouvez configurer les sorties analogiques comme suit :

	AO1	AO2	Symboles utilisés pour l'affichage	
1	Chauffage	-	/	☀
2	Refroidissement	-	/	❄
3	Chauffage	Refroidissement	\\	☀ ❄
4	Chauffage	Chauffage	\\	☀ ☀
5	Refroidissement	Refroidissement	\\	❄ ❄
6	Chauffage	Registre	\\	☀ ☑
7	Refroidissement	Registre	\\	❄ ☑

**Note :** Avec les modes de régulation 1, 2 et 3, l'entrée d'indication de fonctionnement du ventilateur (DI1) doit être raccordée pour que la fonction de contrôle puisse démarrer, sinon une alarme AL3 se déclenche. L'entrée doit « suivre » la sortie du ventilateur, à savoir que si la sortie se ferme, l'entrée doit en faire autant.

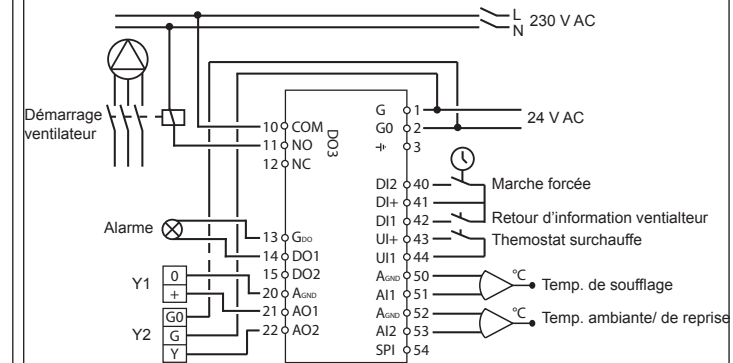


Figure 1. Exemple de câblage : CMF10 pour chauffage électrique (par exemple via CTR25) et registre. Contrôle avec fonction cascade

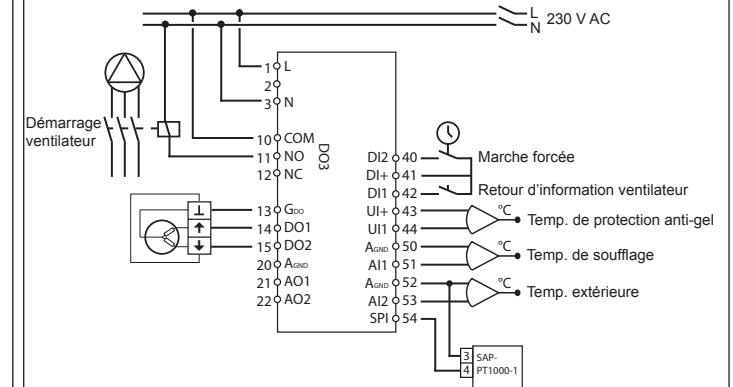


Figure 2. Exemple de câblage : CMF10-230 pour batterie de chauffage à eau , sortie 3 points. Régulation du soufflage avec compensation de la température extérieure et potentiomètre de consigne externe.

Les sorties numériques ont une tension de 24 V AC, GDO est commun et DO est connecté à G0. Pour CMF10, DO1 et DO2, les sorties acceptent du 12 VA. Pour CMF10-230, DO1 et DO2, les sorties acceptent du 3,8 VA moyennant l'utilisation du transformateur interne.



### Mode de régulation 4

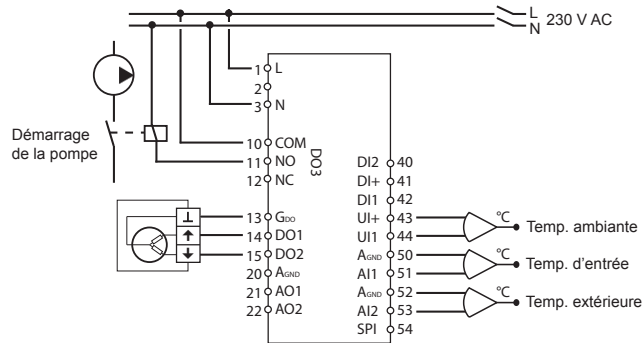


Figure 3. Exemple de câblage : CMF10-230 avec moteur 3 points et sonde de température d'ambiance (s'utilise également sans sonde ambiante).

Les sorties numériques ont une tension de 24 V AC, GDO est commun et DO est connecté à G0. Pour CMF10, DO1 et DO2, les sorties acceptent du 12 VA. Pour CMF10-230, DO1 et DO2, les sorties acceptent du 3,8 VA moyennant l'utilisation du transformateur interne.

### Mode de régulation 5

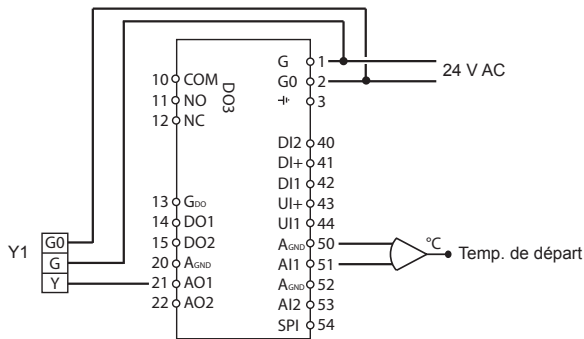


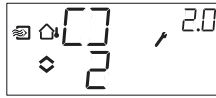
Figure 4. Exemple de câblage : CMF10 avec moteur 0..0,10 V

### Les menus disponibles pour le niveau de configuration (10 secondes)

Le système de menu est divisé en trois niveaux : le niveau de configuration (10 secondes), le niveau de réglage de l'horloge et des programmes horaires (3 secondes) et le niveau de base.

#### Niveau de configuration (10 secondes)

Ce niveau est affiché par défaut lors de la première mise en route de l'appareil. Pour accéder au mode configuration, appuyez sur le bouton pendant 10 secondes à partir de l'écran d'accueil. Le niveau d'accès « 10 secondes » couvre l'ensemble des menus de configuration. Note : Le mode « 10 secondes » n'est accessible que depuis l'écran d'accueil.



Le tableau 2 ci-après montre la structure du menu de configuration et les différentes configurations possibles. Lorsque vous entrez dans le mode configuration, vous arrivez au niveau 0, c.-à-d. les menus qui permettent de choisir le mode de contrôle. Pour naviguer dans les menus tournez le bouton et appuyez pour valider votre choix. Différents menus s'affichent selon la configuration.

Tableau 2. Menus accessibles dans le mode configuration

Niv. menu	Modes de régulation				
0	1 Régulation de la température de soufflage [02] / [10]	2 Régulation du soufflage avec compensation de la température extérieure [02] / [2.0]	3 Contrôle en cascade [03] / [3.0]	4 Régulation du chauffage (radiateurs) en fonction de la température extérieure [04] / [4.0]	5 Régulation de l'eau chaude sanitaire [05] / [5.0]
1	Type de sortie [00] / [1.1] alt. [00] / [1.1]	Type de sortie [00] / [2.1] alt. [00] / [2.1]	Type de sortie [00] / [3.1] alt. [00] / [3.1]	Type de sortie [00] / [4.1] alt. [00] / [4.1]	-
1.A	Durée course actionneur [03P] / [1.1] [12.0]	Durée course actionneur [03P] / [2.1] [12.0]	Durée course actionneur [03P] / [3.1] [12.0]	Durée course actionneur [03P] / [4.1] [12.0]	-
2	Signal de sortie [03] / [1.2]	Signal de sortie [03] / [2.2]	Signal de sortie [03] / [3.2]	-	-
3	Zone neutre [04] / [1.3]	Zone neutre [04] / [2.3]	Zone neutre [04] / [3.3]	-	-
4	Bande-P [0P] / [1.4] [23.°C]	Bande-P [0P] / [2.4] [23.°C]	Bande-P [0P] / [3.4] [23.°C]	Bande-P [0P] / [4.4] [23.°C]	Bande-P [0P] / [5.4] [23.°C]
5	Temps-I [0I] / [1.5] [16.°C]	Temps-I [0I] / [2.5] [16.°C]	Temps-I [0I] / [3.5] [16.°C]	Temps-I [0I] / [4.5] [16.°C]	Temps-I [0I] / [5.5] [16.°C]

CMF10

6	Position minimum du registre [MIN] / [16] [20.°C]	Position minimum du registre [MIN] / [25] [20.°C]	Position minimum du registre [MIN] / [35] [20.°C]	Augmentation de la température à 0°C [0°C] / [4.5] [2.0°C]	Facteur D [D] / [5.6] [4.°C]
6	-	-	Bande proportionnelle en cascade [PCD] / [3.6] [15.0]	-	-
7	Fonction sur l'entrée UI1 [UI1] / [1.7] [1] ou [UI1] / [2.7] [2] ou [UI1] / [3.7] [3] ou [UI1] / [4.7] [4]	Fonction sur l'entrée UI1 [UI1] / [2.7] [1] ou [UI1] / [3.7] [2] ou [UI1] / [4.7] [3]	Fonction sur l'entrée UI1 [UI1] / [3.7] [1] ou [UI1] / [4.7] [2] ou [UI1] / [5.7] [3]	Test de la pompe [P-X] / [4.7] [On]	Surchauffe [O-H] / [5.7] [On]
7.b	Position de la vanne en mode veille [VLV] / [1.7] [100.°C]	Position de la vanne en mode veille [VLV] / [2.7] [100.°C]	Position de la vanne en mode veille [VLV] / [3.7] [100.°C]	-	-
8	-	Démarrage de la compensation extérieure [5P] / [2.8] [10.0]	Limite mini temp. soufflage [MIN] / [3.8] [17.°C]	Consigne bas (pour une température extérieure de +20°C) [SPH] / [4.8] [20.0]	-
9	-	Compensation max. (pour une température extérieure de -20°C) [CMP] / [2.9] [8.5]	Limite max. temp. soufflage [MAX] / [3.9] [30.°C]	Consigne haut (pour une température extérieure de -20°C) [SPH] / [4.9] [60.0]	-

E	Consigne externe 	Consigne externe 	Consigne externe 	Consigne externe 	
11	E/S 	E/S 	E/S 	E/S 	E/S 
Menu OK					

Lorsque vous êtes au niveau 0, vous pouvez choisir le mode de contrôle. Appuyez sur le bouton et vérifiez que l'icône indiquant que « le menu contient des valeurs paramétrables » se met à clignoter à l'écran (voir § *Symboles utilisés pour l'affichage* ci-après). Lorsque le mode de contrôle souhaité est affiché, appuyez une nouvelle fois sur le bouton pour valider. L'icône indiquant que « le menu contient des valeurs paramétrables » arrête de clignoter.

Lorsque vous avez choisi le mode de contrôle pour pouvez vous déplacer dans les autres niveaux en tournant le bouton. Ces menus ne sont pas affichés par défaut mais en fonction de l'application et des options choisies par l'opérateur au fur et à mesure de la configuration.

#### Exemple :

Pour régler le temps d'intégration dans le mode de régulation 3 (Régulation d'ambiance/de reprise avec fonction cascade), allez dans le menu 3.5.

Appuyez sur le bouton d'encodage. L'icône indiquant que « le menu contient des valeurs paramétrables » se met à clignoter.

Réglez la valeur souhaitée en tournant le bouton et appuyez sur le bouton pour valider.

Pour quitter le mode configuration, allez à Menu OK et appuyez sur le bouton. Le niveau de réglage de l'horloge et des programmes horaires s'affiche alors.

Pour quitter le mode « Réglage horloge et programmes horaires », allez au menu OK et appuyez sur le bouton. Vous revenez alors à l'écran d'accueil.

Ce menu dispose aussi d'un sous-menu OK qui permet de revenir à l'écran d'accueil. Il y a enfin une fonction de déconnexion automatique qui permet de sortir du mode configuration après 5 minutes d'inactivité.

Menu 1.1, 2.1, 3.1, 4.1 : Choix du type d'actionneur

Lorsque vous choisissez un actionneur 3 points, vous obtenez un nouveau menu : 1.A, 2.A, 3.A ou 4.A. Ce menu permet de régler la durée de la course de l'actionneur.

Menu 1.7, 2.7, 3.7: fonction pour entrée UI1

Il existe quatre options de paramétrage pour UI1: 1. Protection hors gel AO1, 2. Protection hors gel AO2, 3. Protection surchauffe, 4. "--" (entrée vide). Le type de sortie s'affiche dans le menu 1. Pour une protection hors gel avec un actionneur 3 positions, paramétrer UI1 sur « 1 ». Lorsqu'un actionneur 3 positions est utilisé, la sortie d'alarme est inutilisée.

#### Sauvegarde des réglages

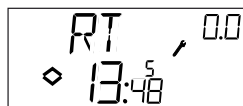
Tous les réglages deviennent actifs à partir du moment où ils ont été validés, c.-à-d. une fois que vous avez appuyé sur le bouton. Cependant ils ne sont sauvegardés dans la mémoire flash que lorsque vous quittez le mode configuration (soit via le menu OK, soit via la déconnexion automatique).

Pour sortir du mode configuration sans sauvegarder les changements dans la mémoire flash, coupez l'alimentation de l'CMF alors que vous trouvez toujours dans le mode configuration. Le régulateur revient alors automatiquement aux dernières valeurs sauvegardées avant que vous ne fassiez les modifications.

Voir le manuel «CMF10 - Manuel" pour en savoir plus sur les menus de configuration.

#### Horloge et programmes horaires (niveau 3 secondes)

Pour accéder à ce niveau il faut appuyer sur le bouton pendant 3 secondes à partir de l'écran d'accueil. Le niveau d'accès « 3 secondes » couvre tous les menus qui permettent de régler l'horloge et les programmes horaires. La fonction programme horaire n'est disponible qu'avec les modes de régulation 1, 2, 3 et 4. Note : Le mode « 3 secondes » n'est accessible que depuis l'écran d'accueil.



L'écran RT (pour temps réel) permet de visualiser l'heure et la date. Cette dernière est représentée par le chiffre correspondant au jour de la semaine (1 pour Lundi et 7 pour Dimanche).

Dans l'exemple ci-dessus nous sommes un vendredi (cinquième jour de la semaine) et il est 13h48. Pour régler l'heure et la date, appuyez sur le bouton. Le jour de la semaine se met à clignoter. Tournez le bouton jusqu'à ce que le jour souhaité s'affiche à l'écran (1 = Lundi, 2 = Mardi, etc.). Appuyez sur le bouton pour valider votre choix. Lorsque la date est réglée, les deux chiffres de l'heure se mettent à clignoter à leur tour. Procédez de la même façon que précédemment pour régler l'heure. Après avoir confirmé votre choix pour le réglage des minutes, vous passez automatiquement au menu suivant, c.-à-d. le premier menu de réglage

des programmes horaires. Note : L'horloge ne passe pas automatiquement à l'heure d'été/hiver.

Il y a quatre points ON et quatre points OFF. Chaque point est présenté dans un menu où 0.1, 0.3, 0.5 et 0.7 sont des points ON et 0.2, 0.4, 0.6 et 0.8 sont des points OFF.

Modes de régulation 1, 2 et 3

Les modes de régulation 1, 2 et 3 fonctionnent sur le même principe, à savoir que les points ON permettent de faire démarrer l'installation et les points OFF permettent de l'arrêter.

#### Exemple:

Commencez par régler la première tranche ON (0.1) : choisissez 8 pour le chiffre des jours et réglez l'heure de démarrage de l'installation (7:30).

Réglez ensuite la période d'arrêt (0.2) : là encore choisissez 8 pour le chiffre des jours et réglez l'heure à laquelle vous souhaitez que l'installation s'arrête (18:00).

Ensuite la tranche ON pour le Samedi (0.3) : choisissez 6 pour le chiffre des jours (=Samedi) et réglez l'heure de démarrage de l'installation (8:00). Passez au menu suivant (0.4) et réglez la période d'arrêt du Samedi : choisissez 6 pour le chiffre des jours (=Samedi) et réglez l'heure de mise à l'arrêt de l'installation (14:00).

Choisissez -- à la place du chiffre des jours pour tous les autres menus.

En complément aux huit menus qui permettent de définir les périodes de marche/arrêt, CMF a aussi un menu qui permet de passer outre le programme horaire et passer en contrôle manuel. Ce menu est le dernier dans la liste et porte le numéro 0.9. Il affiche l'état actuel de la sortie du programmeur horaire et donne la possibilité de passer outre et passer en mode manuel. Par exemple, si l'installation est sur ON, vous pouvez la passer manuellement sur OFF. Dans ce cas l'installation reste à l'arrêt tant que le réglage n'est pas changé et remis manuellement sur ON ou bien jusqu'à ce que le prochain point ON programmé se déclenche.

Le dernier menu après le menu programme horaire est le menu « OK ». Appuyez sur le bouton pour sortir du menu « Horloge et programmes horaires » et revenir à l'écran d'accueil.

Mode de régulation 4

Le mode de régulation 4 utilise le programme horaire pour passer en mode ECO (mode veille) dans lequel la température est réduite de plusieurs degrés (valeur réglable) par rapport à la température dite de confort. Dans ce cas de figure les points ON permettent de passer en mode ECO (mode veille) et les points OFF permettent de revenir en mode confort (normal).

### Exemple :

Du lundi au vendredi vous souhaitez maintenir la température de confort entre 6h00 et 21h00 et le week-end, vous souhaitez maintenir une température de confort entre 7h00 et 23h30.

Commencez par régler la première tranche ON (0.1) : choisissez 8 pour le chiffre des jours et réglez l'heure à laquelle l'installation passe en mode ECO (21:00).

Réglez ensuite la période d'arrêt (0.2) : là encore choisissez 8 pour le chiffre des jours et réglez l'heure à laquelle vous souhaitez que l'installation passe en mode normal (06:00).

Réglez ensuite la tranche ON pour le Samedi (0.3) : choisissez 6 pour le chiffre des jours (=Samedi) et réglez l'heure de passage en mode veille (23:30).

Passez au menu suivant (0.4) et réglez la période d'arrêt du Samedi : choisissez 6 pour le chiffre des jours (=Samedi) et réglez l'heure de passage en mode normal (07:00).

Passez au menu suivant (0.5) et réglez la période ON du Dimanche : choisissez 7 pour le chiffre des jours (=Dimanche) et réglez l'heure de passage en mode ECO (23:30).

Passez au menu suivant (0.6) et réglez la période d'arrêt du Dimanche : choisissez 7 pour le chiffre des jours (=Dimanche) et réglez l'heure de passage en mode normal (07:00).

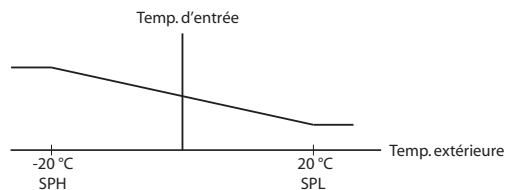
Choisissez -- à la place du chiffre des jours pour les deux derniers menus.

En complément aux huit menus qui permettent de définir les périodes de marche/arrêt, CMF a aussi un menu qui permet de passer outre le programme horaire et passer en contrôle manuel. Ce menu est le dernier dans la liste et porte le numéro 0.9.

Dans le menu 0.9 vous pouvez régler le nombre de degré dont vous souhaitez abaisser la consigne de température ambiante pendant les périodes de veille. En l'absence de sonde de température d'ambiance, l'abaissement est fixé à 3 fois la valeur réglée et s'applique à la consigne de température de départ de l'eau.

Le dernier menu après le menu programme horaire est le menu « OK ». Appuyez sur le bouton pour sortir du menu « Horloge et programmes horaires » et revenir à l'écran d'accueil.

### Compensation extérieure



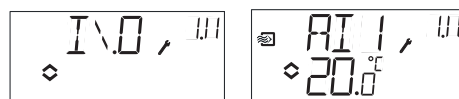
### Niveau de base

C'est l'écran qui est affiché lorsque qu'il n'y a pas d'action de l'opérateur.



### E/S :

A partir de l'écran d'accueil, tournez le bouton dans le sens inverse des aiguilles d'une montre jusqu'à ce que le texte I/O (entrées/sorties) s'affiche. Appuyez sur le bouton pour rentrer dans le menu et visualiser les états et valeurs des entrées/sorties. Pour sortir du menu, appuyez de nouveau sur le bouton et tourner dans le sens des aiguilles d'une montre pour revenir à l'écran d'accueil.



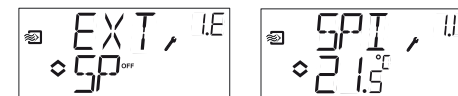
### Points de consigne:

A partir de l'écran d'accueil, appuyez sur le bouton pour accéder au menu de réglage des consignes.. Pour changer le point de consigne, appuyez de nouveau sur le bouton. L'icône indiquant que « le menu contient des valeurs paramétrables » se met à clignoter. Réglez la valeur souhaitée en tournant le bouton et appuyez sur le bouton pour valider.



À partir de la revision R20 il est possible d'utiliser un potentiomètre de consigne externe PT1000 ou de régler la valeur de consigne via l'écran. Le point de consigne externe ne peut être utilisé qu'avec les modes 1-4. Pour fonctionner correctement en mode 4 il faut également utiliser une sonde d'ambiance.

Pour choisir si le point de consigne est interne ou externe, allez dans le menu 1.E, réglez EXT SP sur ON pour un point de consigne externe et sur OFF pour un point de consigne interne. Avec le point de consigne externe, vous ne pouvez voir la valeur actuelle de la consigne que dans le menu de réglage des consignes.



Menu de configuration :      Menu E/S : SPT sélectionné,  
Choix d'un point de      la valeur actuelle est affichée  
consigne externe ou interne

### Consigne calculée :

Pour les modes de régulation avec compensation de la température extérieure ou avec contrôle en cascade, le régulateur ne travaille pas avec une consigne fixe. Au lieu de cela, il travaille avec une consigne calculée, qui varie en fonction de la température extérieure ou, quand il s'agit du contrôle en cascade, en fonction de la température ambiante. La consigne calculée est affichée en tournant le bouton dans le sens des aiguilles d'une montre à partir de l'écran d'accueil.



Mode de régul. 2	Mode de régul. 3	Mode de régul. 4
Régulation du soufflage avec compensation de la température extérieure.	Régulation d'ambiance avec contrôle du soufflage	Régulation du chauffage (radiateurs) en fonction de la température extérieure.

### Gestion des alarmes :

S'il y a des alarmes actives et que vous appuyez sur le bouton, cela affiche le menu de gestion des alarmes à la place. Là, vous pouvez visualiser et acquitter les alarmes. Il y a un menu pour chaque alarme avec un symbole pour indiquer le type d'alarme dont il s'agit.

En cas de déclenchement d'une ou plusieurs alarme(s), l'indicateur d'alarme s'affiche et se met à clignoter. Lorsqu'aucun actionneur 3 positions est utilisé, DO1 sera activé comme sortie de total d'alarmes. Il y a quatre types d'alarme différents.

**AL1** Alarme de protection contre le gel. La température au niveau

de la sonde de protection antigel est inférieure à + 7°C. Les températures de protection hors gel sont des valeurs fixes. La régulation de mise hors gel commence à 12°C.

**AL2** La sécurité de surchauffe de la batterie de chauffage électrique est déclenchée.

**AL3** Alarme ventilateur. Soit il n'y a pas de signal indication du fonctionnement du ventilateur sur l'entrée DI1 lorsque la sortie de mise en route du ventilateur (DO3) est active. Ou bien soit DI1 est active alors qu'il n'y a pas de signal sur DO3. L'alarme sur le ventilateur à une temporisation de 30 secondes.

**AL4** Erreur sonde. Une entrée sonde n'est pas raccordée.

Chaque type d'alarme est identifié par un symbole. Flocon de neige pour la protection contre le gel, soleil pour la sécurité surchauffe, ventilateur pour le fonctionnement du ventilateur et le symbole représentant l'entrée pour les erreurs sonde.

S'il y a plusieurs alarmes, tournez le bouton pour passer de l'une à l'autre. Pour acquitter une alarme, appuyez sur le bouton pour entrer dans le menu. Tournez ensuite pour changer « No » en « Yes » et appuyez une nouvelle fois pour valider votre choix.

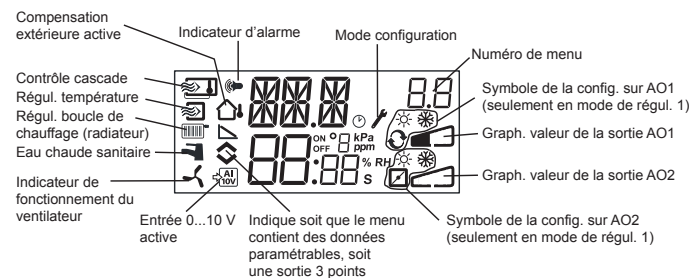


Tant qu'une alarme n'a pas été acquittée et remise à zéro, elle reste visible dans la liste des alarmes. L'indicateur d'alarme reste affiché tant que la liste des alarmes n'est pas vide. Il clignote tant qu'il reste des alarmes non acquittées dans la liste. Lorsque toutes les alarmes ont été acquittées l'indicateur cesse de clignoter mais reste allumé tant que toutes les alarmes n'ont pas été remises à zéro. Si DO1 est utilisée comme sortie d'alarme, elle reste activée tant qu'il reste des alarmes non acquittés dans la liste.

DO1 ne peut pas être utilisée comme sortie d'alarme en même temps que la commande 3 points.

Voir le manuel "CMF10 - Manuel" pour en savoir plus sur la gestion des alarmes.

## Symboles utilisés pour l'affichage



## Revenir aux réglages par défaut (réglages usine)

Pour revenir aux réglages d'usine d'CMF10, choisissez le mode de régulation 5 (Régulation de l'ECS) et réglez le facteur D (D-Factor) sur 99. Revenez ensuite à l'écran d'accueil et coupez l'alimentation électrique d'CMF10. Lorsque vous remettez le courant, tous les paramètres et programmes horaires sont réinitialisés à leurs valeurs par défaut.



## Directive compatibilité électromagnétique (CEM)

Ce produit répond aux exigences de la directive 2004/108/CE du Parlement européen et du Conseil (CEM) au travers de la conformité aux normes EN 61000-6-1 et EN 61000-6-3.

## Directive basse tension 2006/95/EC

OP10-230 est conforme aux exigences de la directive BT et répond à la norme EN61010-1.

## RoHS

Ce produit répond aux exigences de la directive 2011/65/UE du Parlement européen et du Conseil.

## Contact

**AB Industrietechnik Srl**  
Via Julius Durst, 70 - 39042 Bressanone (BZ) - Italy  
Tel. +39 0472/830626 - Fax +39 0472/831840  
www.industrietechnik.it - info@industrietechnik.it



# ANLEITUNG

## CMF10, CMF10-230



Diese Anleitung vor Montage und Anschluss des Produktes bitte durchlesen.



Dieses Symbol macht auf eventuelle Gefahren bei der Handhabung des Produkts und der in der Dokumentation nachzulesenden Maßnahmen aufmerksam.

### Regler mit Display

CMF10 ist ein vorprogrammierter, konfigurierbarer Regler. Er verfügt über 10 Ein-/Ausgänge und kann für die Temperaturregelung (Lüftungsregelung mit Heizen und Kühlen), Heizkreis mit witterungsgefühltter Regelkurve oder Brauchwarmwasserregelung konfiguriert werden.

Ab Version R20 kann ein externer Sollwertgeber angeschlossen werden. Der Regler kann in den Regelmodi 1 – 4 verwendet werden. CMF10 ist in zwei Ausführungen erhältlich, CMF10 mit 24 V AC Versorgungsspannung und CMF10-230 mit 230 V AC Versorgungsspannung.

Sämtliche Einstellungen und Konfigurationen werden über das Display und den Drückdrehknopf direkt am Regler ausgeführt.

### Technische Daten

#### Versorgungsspannung

CMF10-230	230 V AC +10/-15 %, 50...60 Hz
CMF10	24 V AC ±15 %, 50...60 Hz

Leistungsaufnahme 6 VA

Umgebungstemperatur 0...50 °C

Raumfeuchte Max. 95 % rel.F.

Lagertemperatur -20...70 °C

Display numerisch / grafisch, Hintergrundbeleuchtung.

Eingänge Siehe Anschluss-Abbildungen und Tabelle unten

Klemmleisten Steckbar, Lift-Typ für Kabelquerschnitte 2,5 mm<sup>2</sup>

Schutzart IP20

Material, Gehäuse Polykarbonat, PC

Gewicht

CMF10-230 370 g einschl. Klemmen

CMF10 215 g einschl. Klemmen

Abmessungen 122 x 120 x 64 mm (BxHxT einschl. Klemmen)

Überspannungskategorie 3

Schadstoffbelastungsgrad 2

### Eingänge

AI	Auflösung: 10 bit A/D
AI1	PT1000-Fühler, Bereich 5...80 °C
AI2	PT1000-Fühler, Bereich -30...+50 °C
SPI	Sollwertgeber mit PT1000-Kennlinie, Bereich 0...40 °C
UI	
AI	PT1000, Bereich 0...80 °C
oder DI	Potentialfreier Schließkontakt
AGND	Referenz für AI1
UI+	Referenz für UI
DI	Potentialfreier Schließkontakt
DI+	Referenz für DI

### Ausgänge

AO	0...10 V DC; 8 bit D/A kurzschlussgeschützt
DO1 und DO2 (CMF10)	Triac, 24 V AC, 0,5 A kontinuierlich (verbunden mit G0)
DO1 und DO2 (CMF10-230)	Triac 24 V AC, 0,16 A kontinuierlich mit internem Trafo (verbunden mit G0)
DO3	Change-over (SPDT) Relais 230 V AC, 1000 VA
GDO	Referenz für DO1 und DO2. 24 V AC Ausgang

### Sollwerte

	Temperatur	Werkseinstellung
Zuluft	10...80 °C	21 °C
Kaskadenregelung, Raum	10...50 °C	21 °C
Heizkreisregelung	10...40 °C	21 °C
(nur bei Einsatz eines Raumfühlers)		
Externer Sollwert	0...40 °C	
Brauchwarmwasser	10...80 °C	55 °C
Neutrale Zone	0...10 °C	1 °C
P-Band	0...99 °C	15 °C
I-Zeit	0...990 s	60 s
D-Faktor	0...99	0
P-Band Kaskade	0,5...99 °C	15 °C
Min. an Kaskade	0...99 °C	15 °C
Max. an Kaskade	0...99 °C	25 °C
Grenzwert Min. Klappen	0...99 %	10 %
Start		
witterungsgef.Regelung	-30...50 °C	10 °C
witterungsgef.Regelung bei -20°C Außentemp	-10...10 °C	5 °C
Vorlauftemperatur (Heizkreis)		
bei -20° C Außentemp.	0...99 °C	60 °C
bei 20° C Außentemp.	0...99 °C	20 °C

CMF10

Frostschutz	7 °C (fest)	
SW. Abschaltmodus	25 °C (fest)	
Laufzeit,		
3-Punkt Stellantrieb	10...300 s	120 s



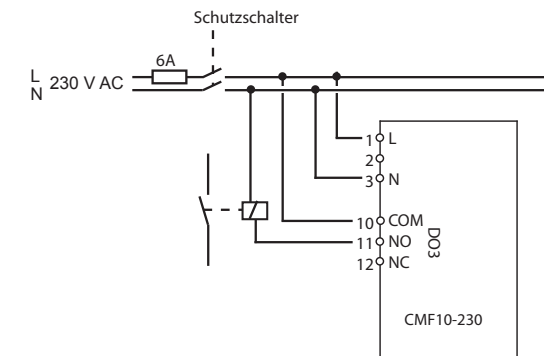
### Installation

Der Regler CMF10-230 muss in ein Gehäuse (DIN-Gehäuse o.Ä.) installiert werden, damit bei der Verwendung keine Stromschlaggefahr besteht und die LVD-Anforderungen erfüllt werden. Siehe hierzu den Abschnitt Installation im "CMF10 Benutzerhandbuch".



### Netztrennung

Der Regler CMF10-230 muss an einen Schalter oder Unterbrecher in der Gebäudeinstallation angeschlossen werden. Dieser Schalter muss sich in unmittelbarer Nähe des Reglers befinden, für den Benutzer leicht zugänglich und als Trennschalter für die Anlage gekennzeichnet sein.



### Überstromschutz

Der Regler CMF10-230 muss in der Gebäudeinstallation durch eine Sicherung abgesichert sein. Die Maximallast des Reglers, 1000 VA, erfordert eine Sicherung von 6 A.

Siehe Tabelle 1 für die Verbindungsanschlüsse.

Tabelle 1. Ein-/Ausgänge Anschlussklemmen

Klemme	Bezeichnung	Funktion
1	G	24 V AC Nur CMF10
2	G0	
3	— —	
1	L	230 V AC Nur CMF10-230
2		
3	N	
10	Masse	DO3 Relais 230 V AC, 1000 VA
11	NO	
12	NC	
13	GDO	Referenz für DO1 und DO2
14	DO1	Digitalausgang
15	DO2	Digitalausgang
20	AGnd	Referenz für AO1 und AO2
21	AO1	0...10 V DC Ausgang
22	AO2	0...10 V DC Ausgang
40	DI2	Digitaleingang
41	DI+	Referenz für DI1 und DI2
42	DI1	Digitaleingang
43	UI+	Referenz für UI1
44	UI1	Universaleingang PT1000 oder Digital
50	AGnd	Referenz für AI1
51	AI1	Eingang PT1000 Temperaturfühler
52	AGnd	Referenz für AI2
53	AI2	Eingang PT1000 Temperaturfühler
54	SPI	Eingang PT1000 Sollwertgeber

Zum besseren Schutz vor Störungen sollte für den Fühleranschluss ein geschirmtes TP Kabel verwendet werden. Die Schirmung ist an einer Seite zu erden.

### Reglerfunktionen

CMF kann für folgende Reglerfunktionen konfiguriert werden:

#### 1. Zulufttemperaturregelung

Der Istwert wird durch die Ansteuerung der Ausgangssignale AO1 und AO2 auf dem Sollwert gehalten. Ein PI Regelkreis wird verwendet. Der Fühler muss an AI1 angeschlossen sein, selbst wenn nur ein Raumfühler verwendet wird.

#### 2. Außentemperaturgeführte Zulufttemperaturregelung

Der Istwert wird durch die Ansteuerung der Ausgangssignale AO1 und AO2 auf dem Sollwert gehalten. Ein PI Regelkreis wird verwendet. Der Sollwert wird automatisch in Abhängigkeit der Außentemperatur gebildet.

#### 3. Kaskaden-Zulufttemperaturregelung mit Raum- /Ablufttemperatureinfluss

Eine Abweichung der Raumtemperatur bestimmt den Sollwert der Zulufttemperatur und vermeidet damit Raumtemperaturschwankungen. Regelkreise mit PI-Regelung werden verwendet. Die Zulufttemperatur kann minimal und maximal begrenzt werden. Ein Zulufttemperaturfühler und ein Raum-/Abluffühler muss verwendet werden.

#### 4. Heizkreisregelung mit Heizkennlinie

Der Sollwert der Vorlauftemperatur verändert sich je nach Außentemperatur. Ein PI-Regelkreis wird verwendet. Es kann ein Raumtemperaturfühler angeschlossen werden, um bei Abweichungen eine Sollwertkorrektur zu ermöglichen. Ohne den Einsatz eines Raumtemperaturfühlers wird die Regelkurve parallel verschoben und der Sollwert so verändert. Bei Verwendung eines Raumfühlers ist der Sollwert ein Raumsollwert. Bei der Konfiguration des Regelmodus 4 wird dieser automatisch eingestellt.

#### 5. Brauchwarmwasserregelung

Die Vorlauftemperatur wird durch die Ansteuerung des Ausgangssignals AO1 konstant gehalten. Ein PI Regelkreis wird verwendet.

#### Regelmodi 1, 2 und 3

Für die Regelmodi 1, 2 und 3 können die analogen Ausgänge für folgende Kombinationen konfiguriert werden:

	AO1	AO2	Displaysymbole
1	Heizen	-	☀
2	Kühlen	-	❄
3	Heizen	Kühlen	☀ ❄
4	Heizen	Heizen	☀ ☀
5	Kühlen	Kühlen	❄ ❄
6	Heizen	Klappen	☀ ☑
7	Kühlen	Klappen	❄ ☑

**Hinweis:** Für Regelmodi 1, 2 und 3 muss der Eingang für die Ventilatorbetriebsmeldung (DI1) angeschlossen sein, um die Reglerfunktion zu starten, da sonst der Alarm AL3 angezeigt wird. Der Eingang muss dem Ventilatorausgang "folgen", d.h. wird der Ausgang geschlossen, muss auch der Eingang geschlossen sein.

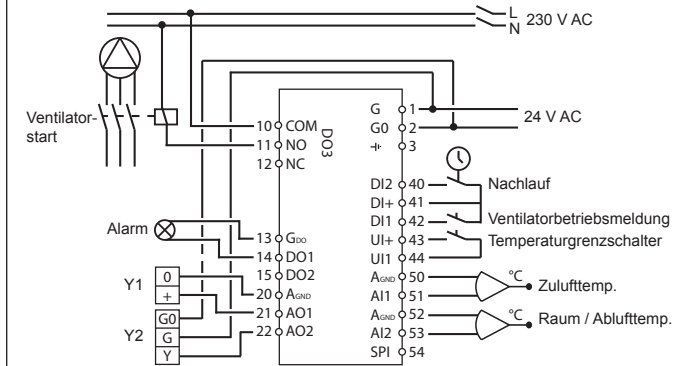


Abb. 1. Klemmenbelegung: CMF10 mit Erhitzer (elektrisch) (z. B. über CTR25) und Klappen. Kaskadenregelung.

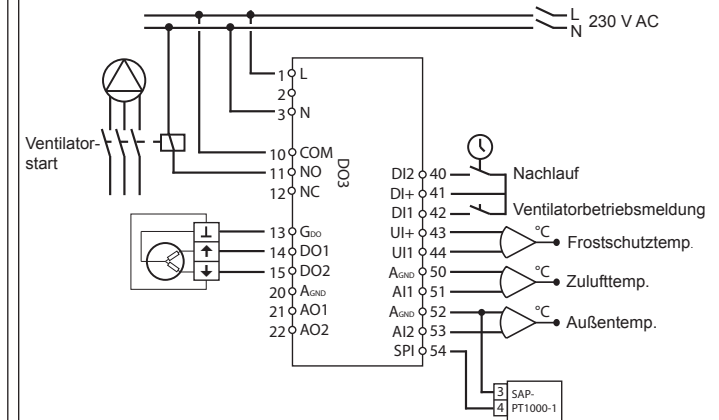


Abb. 2. Klemmenbelegung: CMF10-230 mit Erhitzer (Wasser), 3-Punkt-Ausgang. Außentemperaturgeführte Zulufttemperaturregelung mit externem Sollwertgeber.

Die Digitalausgänge sind 24 V AC, GDO ist die Masse und DO ist verbunden mit G0. Bei CMF10 können die Ausgänge DO1 und DO2 12 VA leisten. Bei CMF10-230 können die Ausgänge DO1 und DO2 unter Verwendung eines internen Transformators 3,8 VA leisten.

### Regelmodus 4

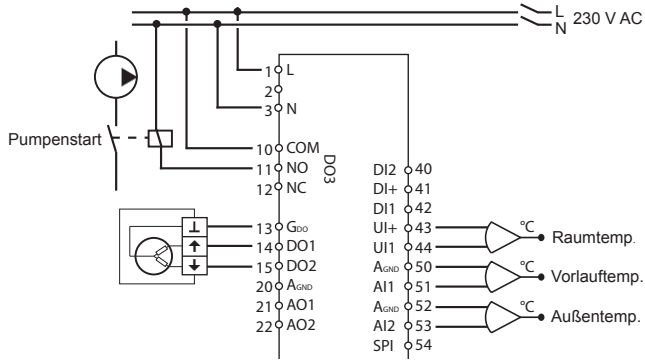


Abb. 3. Klemmenbelegung: CMF10-230 mit 3-Punkt-Stellantrieb und Raumtemperaturfühler (Verwendung auch ohne Raumfühler möglich). Die Digitalausgänge sind 24 V AC, GDO ist Masse und DO ist verbunden mit G0.

Bei CMF10 können die Ausgänge DO1 und DO2 12 VA leisten. Bei CMF10-230 können die Ausgänge DO1 und DO2 unter Verwendung eines internen Transformators 3,8 VA leisten.

### Regelmodus 5

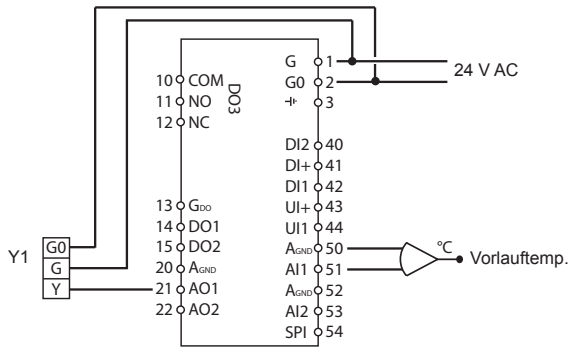


Abb. 4. Klemmenbelegung: CMF10 mit 0...10 V Stellantrieb

### Das Display-Menüsystem

Das Display-Menüsystem ist in drei Untermenüs aufgeteilt, das Konfigurationsmenü (10-Sekunden-Menü), das Uhr- und Zeitplanmenü (3-Sekunden-Menü) und das Basismenü.

### Das Konfigurationsmenü (10-Sekunden-Menü)

Dieses Menü wird beim Erststart des Reglers angezeigt. Das Menü wird über das Basismenü aufgerufen (siehe Abschnitt *Das Basismenü* unten), indem der Drehknopf für 10 Sekunden gedrückt wird. Im 10-Sekunden-Menü befinden sich sämtliche Konfigurationsmenüs. Hinweis: Um das 10-Sekunden-Menü zu erreichen, muss der Regler bei Drücken den Drehknopfes das Basismenüdisplay anzeigen.



Tabelle 2 unten zeigt die Anordnung des 10-Sekunden-Menüs. Wenn das 10-Sekunden-Menü aufgerufen wird, erscheint Konfigurationsmenü 0. Hier wird der Regelmodus ausgewählt. Die Navigation durch Menüs und Regelmodi erfolgt durch Drehen und Drücken des Drehknopfes. Verschiedene Menüs werden je nach Konfiguration angezeigt.

Tabelle 2 Displaymenüs des 10-Sekunden-Menüs

Menüebene	Regelmodi				
	1	2	3	4	5
0	Zulufttemperaturregelung 	Außentemp. gef. Zulufttemperaturregelung 	Kaskadenregelung 	Heizkreisregelung mit Heizkennlinie 	Brauchwarmwasserregelung 
1	Ausgangstyp 	Ausgangstyp 	Ausgangstyp 	Ausgangstyp 	-
1.A	Laufzeit 	Laufzeit 	Laufzeit 	Laufzeit 	-
2	Ausgangssignal 	Ausgangssignal 	Ausgangssignal 	-	-
3	neutrale Zone 	neutrale Zone 	neutrale Zone 	-	-
4	P-Band 	P-Band 	P-Band 	P-Band 	P-Band 
5	I-Zeit 	I-Zeit 	I-Zeit 	I-Zeit 	I-Zeit 
6	Klappen, Min.-Position 	Klappen, Min.-Position 	Klappen, Min.-Position 	0° C Temperaturanstieg 	D-Faktor 

6	-	-	P-Band Kaskade 	-	-
7	Funktion für Eingang UI1 	Funktion für Eingang UI1 	Funktion für Eingang UI1 	Blockierschutz Pumpe 	Überhitzung 
7.b	Ventilposition bei geschlossen 	Ventilposition bei geschlossen 	Ventilposition bei geschlossen 	-	-
8	-	Startpunkt außentemp. gef. Regelung 	min. Begrenzung Zuluft 	niedriger Sollwert (bei +20° Außentemp.) 	-
9	-	max. Kompensation (-20° Außentemp.) 	max.-Begrenzung Zuluft 	hoher Sollwert (bei -20° Außentemp.) 	-
E	externer Sollwert 	externer Sollwert 	externer Sollwert 	externer Sollwert 	-
11	I/O 	I/O 	I/O 	I/O 	I/O 
Menü OK					

Der Regelmodus wird in Menüebene 0 durch Drücken des Drehknopfes ausgewählt, so dass das Symbol "Menü mit veränderbaren

Werten" (siehe Abschnitt *Displaysymbole* unten) zu blinken beginnt, danach den Knopf drehen, bis der gewünschte Regelmodus angezeigt wird. Danach muss der Knopf erneut gedrückt werden, damit das Symbol "Menü enthält veränderbare Werte" aufhört zu blinken.

Wurde der Regelmodus ausgewählt und das Symbol "Menü mit veränderbaren Werten" blinkt nicht mehr, kann durch Drehen des Knopfes zwischen den Menüebenen gewechselt werden. In einigen Fällen werden durch bestimmte Eingaben in einem Menü nicht alle weiteren Menüs gezeigt.

**Beispiel:** Um die I-Zeit im Regelmodus 3 (Kaskadenregelung / Ablufttemperaturregelung) einzustellen, muss Menü 3.5 eingestellt werden. Den Drehknopf drücken. Das Symbol "Menü mit veränderbaren Werten" beginnt zu blinken. Den Wert durch Drehen des Knopfes ändern und die Änderung durch Drücken des Knopfes bestätigen. Um das 10-Sekunden-Menü zu verlassen, muss auf Menü OK gewechselt und der Knopf gedrückt werden. Das Uhr- und Zeitplanmenü wird angezeigt. Um das Uhr- und Zeitplanmenü zu verlassen, muss auf Menü OK gewechselt und der Knopf gedrückt werden. Danach wird wieder das Basisdisplay angezeigt. Das Konfigurationsmenü wird automatisch nach 5 Minuten Inaktivität verlassen.

Menü 1.1, 2.1, 3.1, 4.1 : Wahl des Stellantriebs

Wenn ein Stellantrieb mit 3-Punkt-Ansteuerung gewählt wird, erscheint ein neues Menü: 1.A, 2.A, 3.A oder 4.A. Dieses Menü zeigt die Motorlaufzeit des Stellantriebes für das 3-Punkt-Stellsignal an.

Menü 1.7, 2.7, 3.7: Funktion für Eingang UI1

Es gibt vier verschiedene Einstellmöglichkeiten für UI1: 1. Frostschutz AO1, 2. Frostschutz AO2, 3. Übertemperatur-Begrenzungsschalter, 4. "--" (nicht zugewiesener Eingang). Der Ausgangstyp wird in Menü 1 angezeigt. Wird bei der Verwendung eines 3-Punkt-Stellantriebs Frostschutz gewünscht, muss UI1 auf "1" gestellt werden. Bei der Verwendung eines 3-Punkt-Stellantriebs kann der Alarmausgang nicht verwendet werden.

*Speichern der Einstellungen*

Alle Konfigurationseinstellungen sind nach Drücken des Drehknopfes festgelegt. Die Übertragung in den Flashspeicher geschieht erst, wenn das Konfigurationsmenü über das OK-Menü oder bei Inaktivität verlassen wird.

Um das Konfigurationsmenü zu verlassen, ohne die Änderungen im Flashspeicher zu speichern, ist die Stromversorgung noch im Konfigurationsmenü zu unterbrechen. Alle Werte entsprechen dann denen vor Aufrufen des Konfigurationsmenüs.

Für weitere Informationen über das Konfigurationsmenü im 10-Sekunden-Menü, siehe das "CMF10 Handbuch".

### Uhr- und Zeitplanmenü (3-Sekunden-Menü)

Das Menü wird über das Basismenü aufgerufen, indem der Drehknopf für 3 Sekunden gedrückt wird. Im 3-Sekunden-Menü befinden sich alle Menüs zur Einstellung von Uhr und Zeitplanprogramm. Die Zeitplanfunktion ist nur für Regelmodi 1, 2, 3 und 4 verfügbar. Hinweis: Um das 3-Sekunden-Menü aufzurufen, muss der Regler bei Drücken den Drehknopfs das Basismenüdisplay anzeigen.



Das Displaybeispiel zeigt die Uhrzeit (13:48 Uhr) und den Wochentag (Freitag, der 5. Tag der Woche) an. Um die Uhr einzustellen, wird der Knopf gedrückt. Die Zahl des Wochentags beginnt zu blinken. Den Knopf drehen, bis der entsprechende Wochentag angezeigt wird (Montag = 1, Dienstag = 2 usw.). Die Eingabe durch erneutes Drücken bestätigen. Danach blinkt die Stundenanzeige. Die Einstellung erfolgt ebenfalls durch Drehen und Drücken des Knopfes (zuerst Stunden, dann Minuten). Nach der Bestätigung der Zeitangabe, wechselt das Menü zum ersten Zeitplanmenü. Hinweis: Die Uhr ist nicht jahres- oder datumsabhängig und stellt nicht automatisch auf Sommer-/Winterzeit um.

Es gibt vier Einschalt- und vier Ausschalt-Punkte. Jeder Punkt hat ein eigenes Menü, wobei 0.1, 0.3, 0.5 und 0.7 EIN-Punkte und 0.2, 0.4, 0.6 und 0.8 AUS-Punkte sind.

Regelmodi 1, 2 und 3

Für Regelmodi 1-3 starten die EIN-Punkte das Gerät; die AUS-Punkte schalten es ab.

**Beispiel:** Der Regler soll von Montag bis Freitag von 07:30 bis 18:00 und samstags von 8:00 bis 14:00 laufen: Hierzu wird die erste EIN-Zeit auf Tag 8 (d.h. täglich von Montag bis Freitag) und 7:30, die erste AUS-Zeit auf Tag 8 und 18:00 gestellt. Die zweite EIN-Zeit wird auf Tag 6 (Samstag = 6. Tag der Woche) und 08:00, die zweite AUS-Zeit auf Tag 6 und 14:00 gestellt. Alle weiteren Tage in den Menüs werden auf -- (nicht verwendete Menüs) gestellt.

Nach den insgesamt acht Schalterpunktmensüs (4 EIN, 4 AUS) gibt es noch ein neuntes Menü, 0.9. Hier wird der aktuelle Ausgangsstatus der Zeitpläne angezeigt, und hier ist es auch möglich, Einstellungen manuell zu ändern. Wird z.B. der Schalter als EIN angezeigt und manuell auf AUS gestellt, verbleibt er solange AUS, bis er entweder manuell wieder auf EIN gestellt wird oder die Schaltuhr den nächsten EIN-Punkt erreicht. Nach den Zeitplanmenüs gibt es noch ein letztes Menü, OK. Durch Drücken des Knopfes wird hier das Uhren- und Zeitplanmenü verlassen und das Basisdisplay wieder angezeigt.

Regelmodus 4

Regelmodus 4 verwendet den Zeitplaner, um auf Nachtabsenkung (ECO) umzuschalten, in welchem die Temperatur um eine einstellbare Gradzahl gesenkt wird. Die EIN-Punkte schalten die Nachtabsenkung (ECO) ein; die AUS-Punkte schalten auf Komfort-Temperatur zurück.

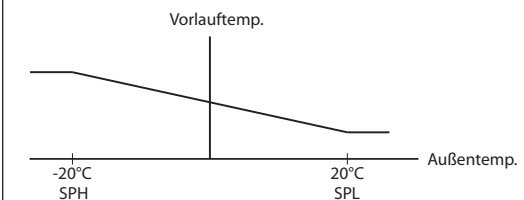
**Beispiel:** Die Temperatur soll an jedem Wochentag morgens um 06:00 Uhr ansteigen und auf Komfortniveau bis abends um 21:00 gehalten werden. Samstags und Sonntags soll die Höchsttemperatur zwischen 07:00 und 23:30 gehalten werden.

Hierzu wird die erste EIN-Zeit auf Tag 8 und 21:00 gestellt, die erste AUS-Zeit auf Tag 8 und 06:00. Die zweite EIN-Zeit wird auf Tag 6 und 23:30, die zweite AUS-Zeit auf Tag 6 und 07:00 gestellt. Die dritte EIN-Zeit wird auf Tag 7 und 23:30, die dritte AUS-Zeit auf Tag 7 und 07:00 gestellt.

Nach den insgesamt acht Schalterpunktmensüs (4 EIN, 4 AUS) gibt es noch ein neuntes Menü, 0.9. In diesem Menü wird eingestellt, um wieviel Grad Celsius der Raumtemperatursollwert während der Nachtabsenkung gesenkt werden soll. Falls kein Raumfühler angeschlossen ist, wird der Sollwert der Vorlauftemperatur um den dreifachen Einstellwert verringert.

Nach den Zeitplanmenüs gibt es noch ein letztes Menü, OK. Die Menüebene wird hier durch Drücken des Knopfes verlassen und das Basisdisplay wieder angezeigt.

### Witterungsgeführte Regelung



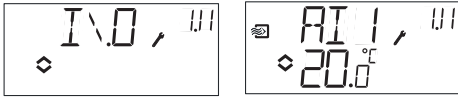
### Das Basismenü

Falls keine Eingaben erfolgen, wird das Basisdisplay angezeigt.



**Ein-/Ausgänge (I/O):** Das Menü, in dem die Ein- und Ausgänge und deren Status abgelesen werden kann, wird erreicht, indem der Knopf gegen den Uhrzeigersinn gedreht wird, bis im Display der Text „I/O“ erscheint. Zum Verlassen des Menüs den Knopf drücken und im Uhrzeigersinn drehen. Das Basismenü erscheint erneut.





**Sollwert:** Das Sollwert-Menü kann durch Drücken des Knopfes im Basisdisplay direkt aufgerufen werden. Zur Änderung des Sollwerts wird der Drehknopf erneut gedrückt. Das Symbol "Menü enthält veränderbare Werte" beginnt zu blinken. Den Wert durch Drehen des Knopfes ändern und die Änderung durch Drücken des Knopfes bestätigen.



Ab Version R20 kann entweder ein externer Sollwertgeber mit PT1000-Kennlinie angeschlossen oder der Sollwert über das Display verändert werden. Externe Sollwerte können nur für Regelmodus 1-4. verwendet werden. Für Regelmodus 4 wird auch ein Raumfühler benötigt. Der externe oder interne Sollwert wird durch Einstellung von EXT SP auf EIN (extern) oder AUS (intern) im Menü 1.E festgelegt. Bei Verwendung eines externen Sollwertgebers wird nur der aktuelle Sollwert im Sollwert-Menü angezeigt.



Konfigurationsmenü:  
Wahl des externen oder internen Sollwerts



Menü EIN/AUS (I/O) SP  
ausgewählt, der aktuelle Wert wird angezeigt

**Berechneter Sollwert:** Bei Regelungen mit witterungsgeführter Vorlauftemperaturregelung oder Kaskadenregelung arbeitet der Regler nicht mit einem festen, sondern mit einem temperaturabhängigen Sollwert. Dieser ist abhängig von der Außentemperatur oder, bei Kaskadenregelung, von der Raumtemperatur. Der berechnete Sollwert wird durch Drehen des Knopfes im Uhrzeigersinn angezeigt.



Regelmodus 2  
außentemperatur-  
geführte Zuluft-  
regelung



Regelmodus 3  
Kaskadenregelung



Regelmodus 4  
Heizkreisregelung

**Alarmbehandlung:** Bei aktiven Alarmen, wird das Alarmmenü durch Drücken des Drehknopfes aufgerufen. Hier werden die Alarme angezeigt und können quittiert werden. Jeder Alarm hat ein Menüdisplay mit Symbolen, die die Art des Alarms anzeigen.

Bei aktiven, nicht quittierten Alarmen leuchtet die Alarmanzeige im Basisdisplay auf und fängt an zu blinken. DO1 wird als Sammelalarmausgang aktiviert, wenn kein 3-Punkt Stellantrieb verwendet wird. Es gibt vier verschiedene Alarmtypen:

- AL1** Frostschutzalarm. Die Frostschutztemperatur ist unter 7 °C gesunken. Die Frostschutztemperatur hat einen festen Wert. Der stetige Frostschutz startet bei 12 °C.
- AL2** Übertemperatur-Begrenzungsschalter aktiviert.
- AL3** Alarm Ventilatorbetriebsmeldung. Entweder gibt es kein Ventilatorbetriebssignal an DI1 bei aktivem Ventilatorstartausgang DO3 oder DI1 ist aktiv, obwohl es an DO3 kein Ventilatorstartsignal gibt. Der Ventilatoralarm hat eine Verzögerung von 30 Sekunden.
- AL4** Fühlerfehler. Ein Fühlereingang ist offen.

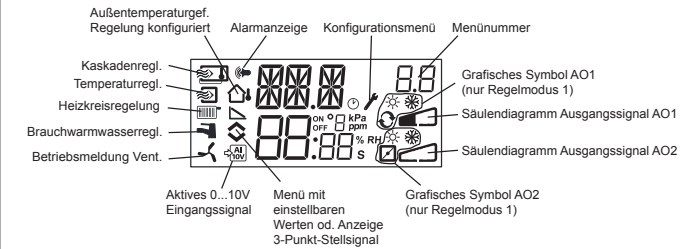
Ein Symbol zeigt den Alarmtyp an. Eine Schneeflocke steht für AL1, die Sonne für AL2, ein Ventilator für AL3 und das Eingangssymbol für AL4. Befinden sich mehrere Alarme in der Liste, können diese durch Drehen des Knopfes nacheinander angezeigt werden. Zum Quittieren eines Alarms wird der Knopf gedrückt, um zum Änderungsmodus zu gelangen. Danach den Knopf von Nein auf Ja drehen und die Eingabe durch Drücken bestätigen.



Ein Alarm bleibt solange auf der Alarmliste, bis er quittiert und die Alarmursache beseitigt wurde. Die Alarmanzeige im Basisdisplay leuchtet, bis die Alarmliste leer ist. Die Anzeige blinkt jedoch nur solange es unquitierte Alarme in der Liste gibt. Danach leuchtet sie konstant, bis alle Alarme zurückgesetzt wurden. Wird DO1 als Alarmausgang verwendet, bleibt er aktiv, solange sich unquitierte Alarme in der Liste befinden. DO1 kann nicht als Alarmausgang verwendet werden, wenn die 3-Punkt-Regelung gewählt wurde.

Für weitere Informationen zur Alarmbehandlung, siehe "CMF10 Handbuch".

## Displaysymbole



## Zurücksetzen auf Werkseinstellungen

CMF10 kann auf die Werkseinstellungen zurückgesetzt werden, indem die Brauchwarmwasserregelung konfiguriert (Regelmodus 5) und der D-Faktor auf 99 eingestellt wird. Das Basisdisplay aufrufen. Danach ist die Stromversorgung zu unterbrechen. Bei erneutem Einschalten der Stromversorgung wurden alle Konfigurationswerte auf die Werkseinstellung zurückgesetzt.



## EMV Emissions- und Immunitätsstandard

Dieses Produkt entspricht den aktuellen europäischen EMV-Richtlinienstandards CENELEC EN 61000-6-1 und EN 61000-6-3 und trägt das CE-Zeichen.

## Niederspannungsrichtlinie LVD (Low Voltage Directive)

Dieses Produkt erfüllt den aktuellen europäischen Niederspannungsstandard EN 61010-1..

## Kontakt

**AB Industrietechnik Srl**  
Via Julius Durst, 70 - 39042 Bressanone (BZ) - Italy  
Tel. +39 0472/830626 - Fax +39 0472/831840  
www.industrietechnik.it - info@industrietechnik.it