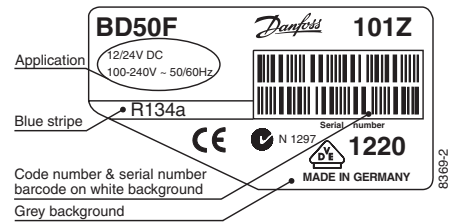


BD50F Direct Current Compressor R134a 12-24V DC & 100-240V AC 50/60Hz



General

Code number (without electronic units)	101Z0200
Electronic unit 12-24V DC - standard	single: 101N0210, 30 pcs: 101N0211
Electronic unit 12-24V DC - with metal shielding	single: 101N0220, 30 pcs: 101N0221
Electronic unit 12-24V DC - with AEO	single: 101N0300, 30 pcs: 101N0301
Electronic unit 12-24V DC & 100-240V AC 50/60Hz	single: 101N0500, 36 pcs: 101N0501
Approvals (compressor)	EN 60335-3-34 w. Annex AA, UL984, CSA-C22.2
Approvals (electronic unit)	E4 72/245 95/54 0202 77
Compressors on pallet	150



Application

Application	LBP/MBP/HBP
Evaporating temperature °C	-30 to 0 (10)
Voltage range (DC & AC)	12-24V DC & 100-240V AC 50/60Hz
Max. condensing temperature continuous (short) °C	60 (70)
Max. winding temperature continuous (short) °C	125 (135)

Cooling requirements at max. ambient temperature

Application	LBP	MBP	HBP
32°C	S	S	F ₁
38°C	S	S	F ₁
43°C	S	S	F ₁

Remarks on application: Fan cooling F₁ depending on application and speed.

Motor

Motor type	Variable speed
Resistance, all 3 windings (25°C) Ω	2.0

Design

Displacement	cm ³	2.50
Oil quantity (type)	cm ³	150 (polyolester)
Maximum refrigerant charge	g	300
Free gas volume in compressor	cm ³	870
Weight - Compressor/Electronic unit	kg	4.3/0.25

Dimensions

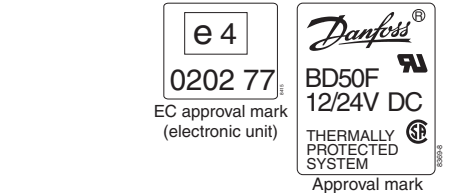
Height	mm	A	137
		B	135
		B1	128
		B2	73
Suction connector	location/I.D. mm angle	C	6.2 41.5°
Process connector	location/I.D. mm angle	D	6.2 45°
Discharge connector	location/I.D. mm angle	E	5.0 21°
Connector tolerance	I.D. mm		±0.09, on 5.0 +0.12/+0.20

Standard battery protection settings (no connection C - P)

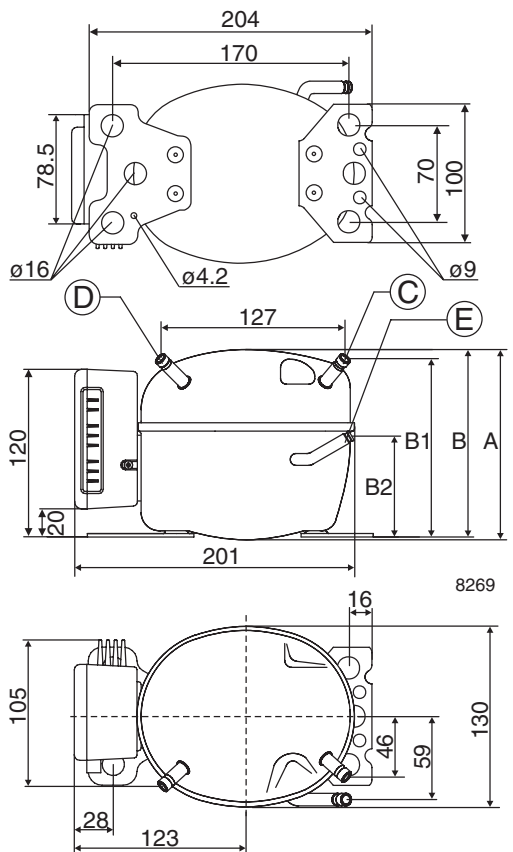
12V cut-out [V]	12V cut-in [V]	24V cut-out [V]	24V cut-in [V]
10.4	11.7	22.8	24.2

Optional battery protections settings

Resistor (R2)	12V cut-out	12V cut-in	12V max.	24V cut-out	24V cut-in	24V max.
[kΩ]	[V]	[V]	Voltage [V]	[V]	[V]	Voltage [V]
0	9.6	10.9	17.0	21.3	22.7	31.5
1.6	9.7	11.0	17.0	21.5	22.9	31.5
2.4	9.9	11.1	17.0	21.8	23.2	31.5
3.6	10.0	11.3	17.0	22.0	23.4	31.5
4.7	10.1	11.4	17.0	22.3	23.7	31.5
6.2	10.2	11.5	17.0	22.5	23.9	31.5
8.2	10.4	11.7	17.0	22.8	24.2	31.5
11	10.5	11.8	17.0	23.0	24.5	31.5
14	10.6	11.9	17.0	23.3	24.7	31.5
18	10.8	12.0	17.0	23.6	25.0	31.5
24	10.9	12.2	17.0	23.8	25.2	31.5
33	11.0	12.3	17.0	24.1	25.5	31.5
47	11.1	12.4	17.0	24.3	25.7	31.5
82	11.3	12.5	17.0	24.6	26.0	31.5
220	9.6	10.9				31.5



- S = Static cooling normally sufficient
- O = Oil cooling
- F₁ = Fan cooling 1.5 m/s
(compressor compartment temperature equal to ambient temperature)
- F₂ = Fan cooling 3.0 m/s necessary
- SG = Suction gas cooling normally sufficient
- = not applicable in this area



Capacity (EN 12900 Household/CECOMAF)

rpm \ °C	12V DC static cooling watt											
	-30	-25	-23.3	-20	-15	-10	-5	0	5	7.2	10	15
2,000	20.8	30.0	33.6	41.6	55.9	72.6	91.9	114	138*	150*	165*	
2,500	25.9	37.3	41.8	51.4	68.4	88.9	113	142*	175*	191*		
3,000	30.9	44.8	50.2	61.7	82.2	107	136*	169*				
3,500	36.7	52.2	58.3	71.4	94.9	123*	157*					

Capacity (ASHRAE LBP)

rpm \ °C	12V DC static cooling watt											
	-30	-25	-23.3	-20	-15	-10	-5	0	5	7.2	10	15
2,000	25.6	37.0	41.5	51.4	69.0	89.8	114	141	171*	186*	205*	
2,500	31.9	46.0	51.5	63.4	84.5	110	140	176*	217*	237*		
3,000	38.1	55.3	61.9	76.2	101	132	168*	210*				
3,500	45.2	64.4	71.9	88.2	117	152*	194*					

Power consumption

rpm \ °C	12V DC static cooling watt											
	-30	-25	-23.3	-20	-15	-10	-5	0	5	7.2	10	15
2,000	26.0	32.7	34.9	39.2	45.8	52.6	60.0	68.0	76.9*	81.2*	87.0*	
2,500	32.2	41.4	44.5	50.3	59.0	67.7	76.4	85.4*	94.9*	99.2*		
3,000	38.9	50.3	54.0	61.0	71.2	81.3	91.5*	102*				
3,500	47.0	59.0	63.0	70.7	82.6	95.0*	108*					

Current consumption (for 24V applications the following must be halved)

rpm \ °C	12V DC static cooling A											
	-30	-25	-23.3	-20	-15	-10	-5	0	5	7.2	10	15
2,000	2.16	2.69	2.88	3.26	3.85	4.49	5.15	5.85	6.58*	6.91*	7.35*	
2,500	2.69	3.40	3.65	4.12	4.86	5.61	6.37	7.15*	7.94*	8.29*		
3,000	3.33	4.16	4.44	5.00	5.87	6.75	7.65*	8.57*				
3,500	4.02	4.89	5.20	5.83	6.83	7.90*	9.03*					

COP (EN 12900 Household/CECOMAF)

rpm \ °C	12V DC static cooling watt											
	-30	-25	-23.3	-20	-15	-10	-5	0	5	7.2	10	15
2,000	0.80	0.92	0.96	1.06	1.22	1.38	1.53	1.67	1.79*	1.84*	1.90*	
2,500	0.80	0.90	0.94	1.02	1.16	1.31	1.48	1.66*	1.84*	1.92*		
3,000	0.79	0.89	0.93	1.01	1.15	1.31	1.48*	1.66*				
3,500	0.78	0.88	0.93	1.01	1.15	1.30*	1.45*					

COP (ASHRAE LBP)

rpm \ °C	12V DC static cooling watt											
	-30	-25	-23.3	-20	-15	-10	-5	0	5	7.2	10	15
2,000	0.99	1.13	1.19	1.31	1.51	1.71	1.90	2.07	2.23*	2.29*	2.36*	
2,500	0.99	1.11	1.16	1.26	1.43	1.62	1.83	2.05*	2.29*	2.39*		
3,000	0.98	1.10	1.15	1.25	1.43	1.62	1.83*	2.05*				
3,500	0.96	1.09	1.14	1.25	1.42	1.60*	1.79*					

Power consumption is limited to 100W with electronic unit 101N0500.

* fan cooling of electronic unit compulsory

Operational errors shown by LED (optional)

Number of flashes	Error type
5	Thermal cut-out of electronic unit (If the refrigeration system has been too heavily loaded, or if the ambient temperature is high, the electronic unit will run too hot).
4	Minimum motor speed error (If the refrigeration system is too heavily loaded, the motor cannot maintain minimum speed at approximately 1,850 rpm).
3	Motor start error (The rotor is blocked or the differential pressure in the refrigeration system is too high (>5 bar)).
2	Fan over-current cut-out (The fan loads the electronic unit with more than 1A _{peak}).
1	Battery protection cut-out (The voltage is outside the cut-out setting).

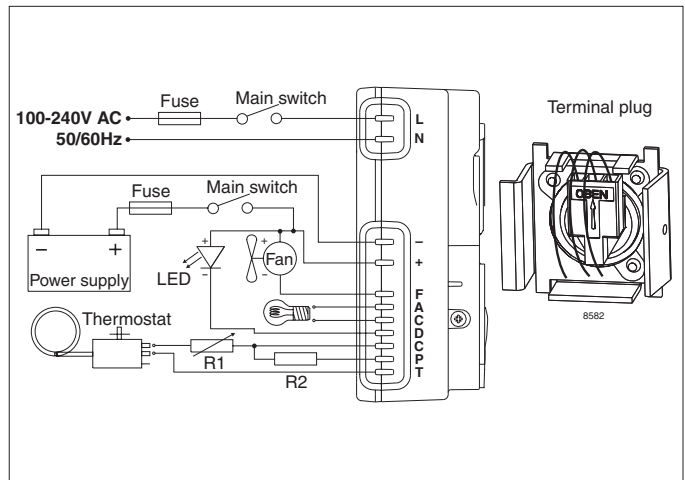
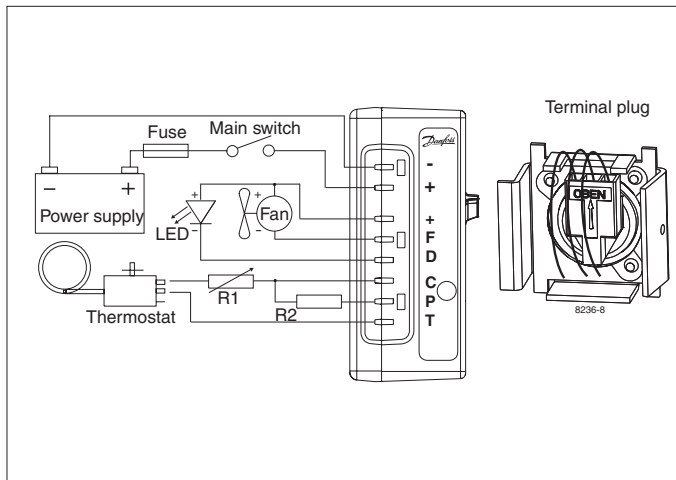
Wire Dimensions DC

Cross section	Size AWG	Max. length* 12V operation		Max. length* 24V operation	
		[mm ²]	[Gauge]	[m]	[ft.]
2.5	12	2.5	8	5	16
4	12	4	13	8	26
6	10	6	19.5	12	39
10	8	10	32.8	20	65.6

*Length between battery an electronic unit

Wire dimensions AC

Cross section min. 0.75 mm² or AWG 18



Compressor speed

Electronit unit Code number	Resistor (R1) [Ω]	Motor speed [rpm]	Control circuit current [mA]
101N0210 101N0220 101N0500	0	2,000	5
	277	2,500	4
	692	3,000	3
	1523	3,500	2
101N0300 with AEO	0	AEO	6
	173	2,000	5
	450	2,500	4
	865	3,000	3
	1696	3,500	2

In AEO (Adaptive Energy Optimizing) speed mode the BD compressor will always adapt its speed to the actual cooling demand.

Test conditions	EN 12900/CECOMAF	ASHRAE
Condensing temperature	55°C	54.4°C
Ambient temperature	32°C	32°C
Suction gas temperature	32°C	32°C
Liquid temperature	no subcooling	32°C

Accessories	Code number
Bolt joint for one compressor	Ø: 16 mm 118-1917
Bolt joint in quantities	Ø: 16 mm 118-1918
Snap-on in quantities	Ø: 16 mm 118-1919
Remote kit (with/without cable)	105N9100/9200
DC usage: Std. automobile fuse 12V: 15A / 24V: 7.5A Main switch: rated to min. 20A	Not deliverable from Danfoss
AC usage: Fuse 100-240V: 4A / Main switch: min. 6A	

Danfoss can accept no responsibility for possible errors in catalogues, brochures and other printed material. Danfoss reserves the right to alter its products without notice. This also applies to products already on order provided that such alterations can be made without consequential changes being necessary in specifications already agreed. All trademarks in this material are property of the respective companies. Danfoss and the Danfoss logotype are trademarks of Danfoss A/S. All rights reserved.