



Technical data

Voltage	U	230/400	V
Phase		3	~
Frequency		50	Hz
Speed		570	RPM
Power consumption	P _e	1600	W
Nominal current	I	5/2.9	A
Maximum current	I	5.3/3.1	A
Capacitor		-	μF
Ambient temperature	T _{amb min/max}	-25...40	°C
Insulation Class		CLF	
IP Class Fan		IP55	
Weight		73.5	kg

Fan details

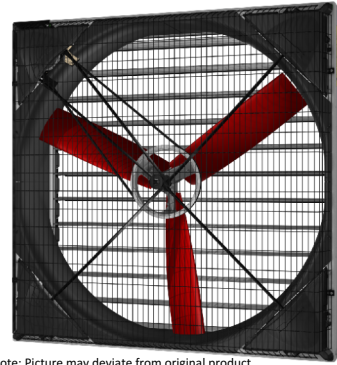
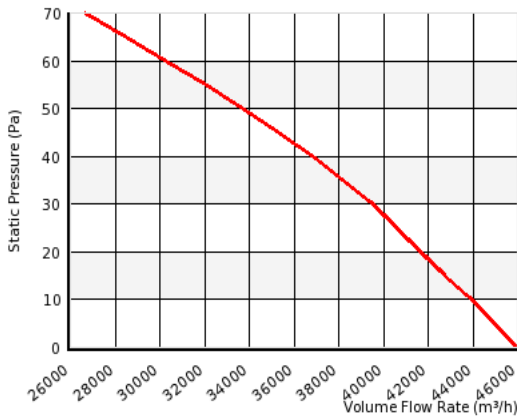
Impeller blades	3
Impeller type	10
Impeller system	N
Impeller material	PG

Control options

Triac controller	No
Transformer	No
Frequency drive	No
Intelligent Fan Drive	No

Characteristics

0 Pa	45900 m ³ /h
50 Pa	33700 m ³ /h



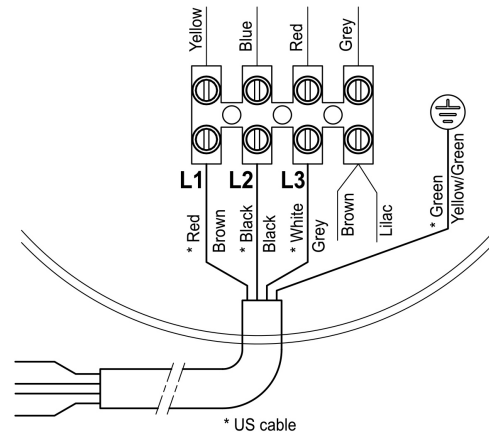
Please note: Picture may deviate from original product

Approval(s)
IECEx-100000000
NEC-EN-ISO 5801: 2008

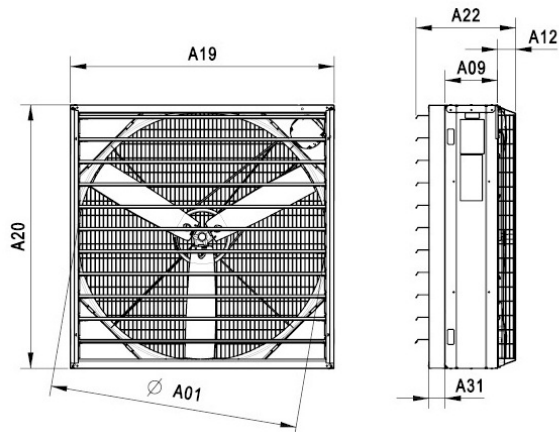


Wiring diagram - Fan

AF01 - CCW



Dimensions



A01:	1284 mm
A09:	275 mm
A12:	96 mm
A19:	1382 mm
A20:	1382 mm
A22:	523 mm
A31:	85 mm