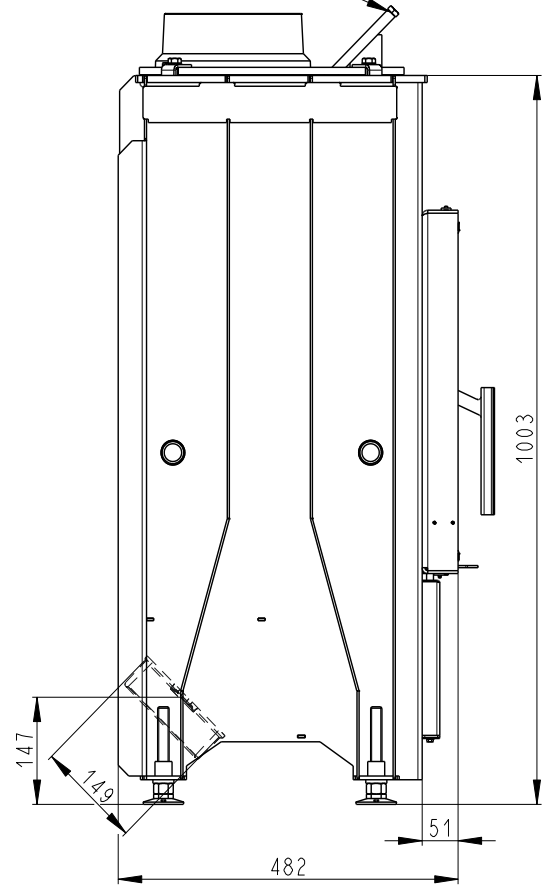
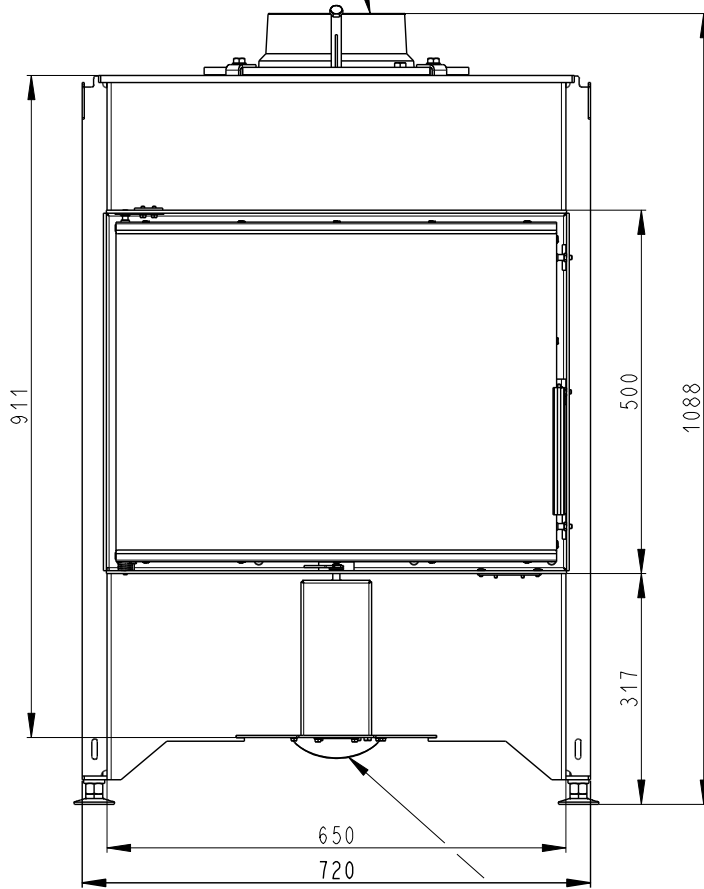


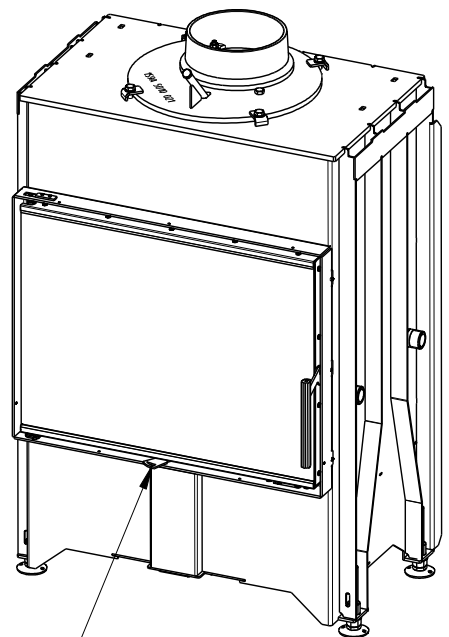
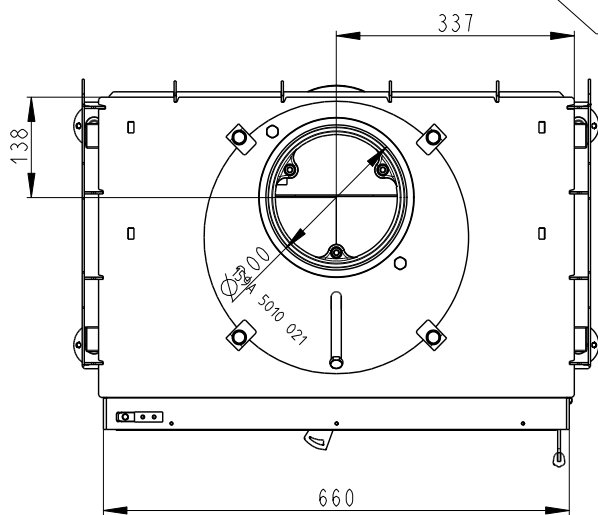
KV DYNAMIC 2G 66.50.01

Cast iron spigot
Der gusseiserne Rauchabgang

Reservoir M10
Tauchhülse M10



Central air inlet
Zentralluftzufuhr



Primary and secondary air
Primärluft und Sekundärluft

Artikl	D2M 01
--------	--------

General data

Nominal heat output	kW	7,8
Efficiency	%	85
Mass of the test fuel fired hourly	kg/h	2,23
Dry flue gases mass flow	g/s	4,8
Mean flue gas temperature	°C	257
Flue draught	Pa	12
Weight	kg	205
CO ₂	%	13,09

Recommended values

Reg.output	kW	4 – 10
Max. mass of the test fuel fired hourly	kg/h	4
Min. cross section of convect air inlet for nominal output	cm ²	880
Min. cross section of convect air outlet for nominal output	cm ²	1120
Combustion air requirement	m ³ /h	14,3
Flue gas connector diameter	mm	150 - 200

Meets requirement limit values for

EN 13 229	•
BImSch V 1	•
BImSch V 2	•
DIN plus	•
15a B-VG	•

Supplied accessories

Holder with magnet	•
Hook to open the ashtray	•
Ashtray	•