

SOLAR

Leap from Japan to the world





Leap from Japan to

Leapton Solar, headquartered in Kobe, Japan.
is an integrated photovoltaic company focusing on PV cells, modules,

PV System Integrator

Leapton Engineering
Technology (Shanghai)
Co., Ltd.



info@leaptonenergy.com
Tel: +8621-53089708
Fax: +8621-53080709

PV Module Manufacturer

Leapton Solar
(Changshu) Co.,Ltd



600MW/year

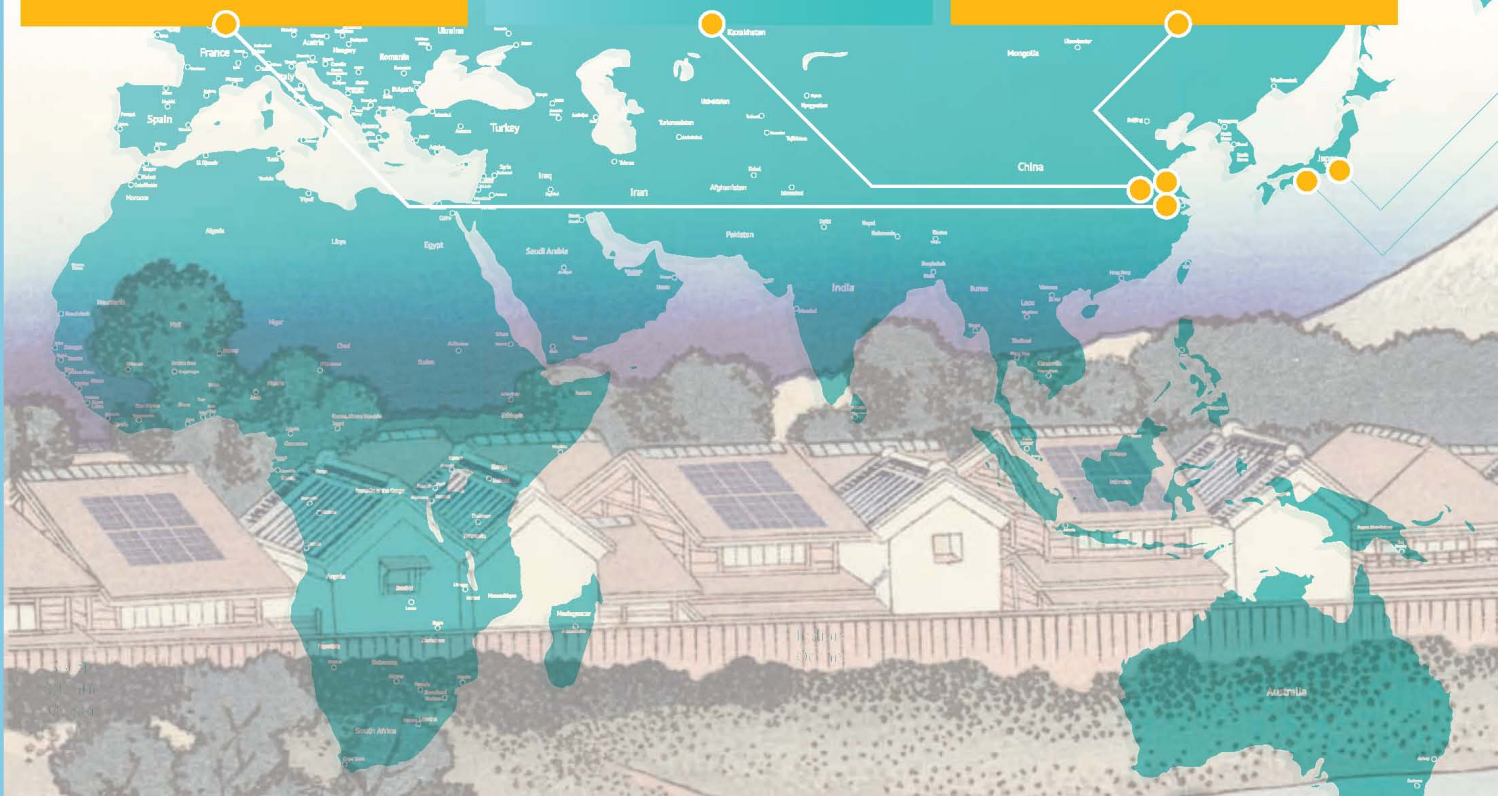
Cell: 200MW/year

PV Mounting Manufacturer

Leapton Metal
(Suzhou) Co., Ltd.



500MW/year



the world

mounting and power system R&D, production and sales.

The manufacture plant is located in Jiangsu, China. It has a pioneering professional photovoltaic R&D team with a full set of the best automatic production line in the world, manufacturing large-scale superior quality products.

Lepton Solar has focused on high-quality products design and system integration, and relied on scientific management and professional high-tech R&D, whose annual production capacity has reached 200 MW of PV Cells, 600 MW of PV Module, 500 MW of Ground Screw and 500 MW of PV Mounting System.

Lepton Solar's products include PV Modules, PV Mounting, Ground Screw, Inverter and Junction Boxes, etc. Lepton Solar devotes itself to providing residential and commercial users with a full range of services for PV system, such as site visit, measurement and calculation, project design, installation and after-sales service.

Lepton Solar's marketing network has spread across Japan, from Hokkaido to Kyushu, Okinawa. In addition, Lepton Solar has set up the logistics warehouses in Kanto, Kansai and central Japan, establishing a high-efficient logistics distribution system. With strong technical support and strict quality control, our products have approved by TUV, PID, Chemitox, JET and other international authorized certification.

Apart from quality assurance of our own company, we also choose to cooperate with professional insurance corporations to guarantee our client's maximum benefits. Our products are insured by natural disaster insurance of Mitsui Sumitomo Insurance, product quality insurance of China Pacific Insurance, third party liability insurance of Sun Alliance Insurance.

Lepton Solar begins to develop solar power project since 2014 and has built its own power plants in Japan.

Lepton Solar is committed to providing sustainable energy solution to build harmonious and clean living environment for our mankind.

Kobe

Japan
Lepton Energy Co., Ltd.



Tokyo

Japan
Lepton Energy Co., Ltd.





LEAPING PENTAD

- 2012** Leapton Energy Co.,Ltd is established in Kobe, Japan.
Leapton Engineering Technology(Shanghai) Co.,Ltd is established in Shanghai, china.
TÜV SÜD authentication.
PID test(Chemitox).
JET fire authentication
- 2013** PL insurance
TÜV PID authentication.
Mitsui Sumitomo insurance
J-PEC certified(The intrduction of photovoltaic power generation for the housing).
- 2014** Leapton Energy Co.,Ltd,Tokyo branch is established in Tokyo, Japan.
Japan Photovoltaic Energy Association (JPEA) on admission.
Intertek salt spray corrosion resistance test.
JETPvm authentication in polycrystalline.
Leapton begins to develop solar power projectand has built its own power plants in Japan.
- 2015** Launches 200MW PV cell manufacturing,
Launches 300MW PV module manufacturing,
- 2016** Leapton Metal(Suzhou) Co.,Ltd is established in Suzhou, China.
Launches 500MW PV mounting manufacturing.
- 2017** Leapton Solar(Changshu) Co.,Ltd is established in Changshu, China.
Launches 600MW PV module manufacturing.

- 1-2** About Us
- 3** Leaping Pentad
- 4** Contents
- 5-8** PV Module
 - 5** LP156x156-M-60 Monocrystalline Module
 - 6** LP156x156-M-72 Monocrystalline Module
 - 7** LP156x156-P-60 Polycrystalline Module
 - 8** LP156x156-P-72 Polycrystalline Module
- 9-16** Roof Mounting System
 - 9-10** MRA1RF2 Tile Roof Aluminum Mounting System
 - 11-12** MRA2RD Pile-tile Metal Roof Aluminum Mounting System
 - 13-14** MRA2TD Trapezoidal Metal Roof Aluminum Mounting System
 - 15** MRA3A5 Flat Concrete Roof Mounting System
 - 16** MRA3A6 Flat Concrete Roof Mounting System
- 17** Aluminum Solar Panel Frame
- 18** Quality and Guarantee
- 19-22** Projects



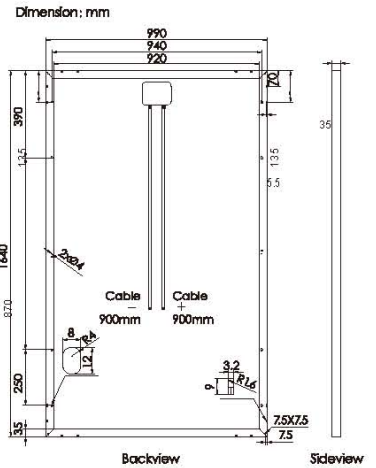
LP156x156-M-60

Rated Power 280-295W



Monocrystalline

Polycrystalline



Product Series	LP156*156-M-60		
	285W	290W	295W
Open Circuit Voltage	38.09V	38.20V	38.29V
Short Circuit Current	9.62A	9.75A	9.88A
Maximum Power Voltage	31.08V	31.18V	31.28V
Maximum Power Current	9.17A	9.30A	9.43A
Module Efficiency	17.6%	17.9%	18.2%

Product Characteristics			
Weight	18.0kg	Junction Box	IP67
Module Size	1640*990*35mm	Frame	Aluminum Alloy
Cell Amount	60 pcs of monocrystalline	Cable	4mm ² , Length=900mm
Cell Size	156*156mm	Connection	(Compatible with) MC4
Maximum System Voltage	1000V	Application Level	Class A

Temperature Characteristics		Maximum Ratings	
NOCT	45±2°C	Output Tolerance	0~+3%
Temperature Coefficient of Short Circuit Current	+0.06%/°C	Operating Temperature	-40°C~+85°C
Temperature Coefficient of Open Circuit Voltage	-0.3%/°C	Wind Load / Snow Load	2400pa/5400pa
Temperature Coefficient of Maximum Power	-0.4%/°C	Fuse Current	15A



- 10-YEAR 90% Maximum Output
- 25-YEAR 80% Maximum Output



• J-PEC Product



- Salt Spray Certificate
- Ammonia Certificate
- IEC61701
- IEC62716



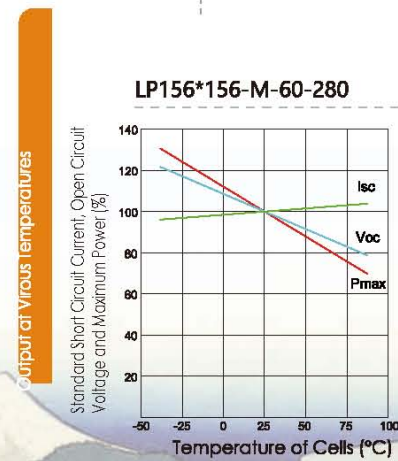
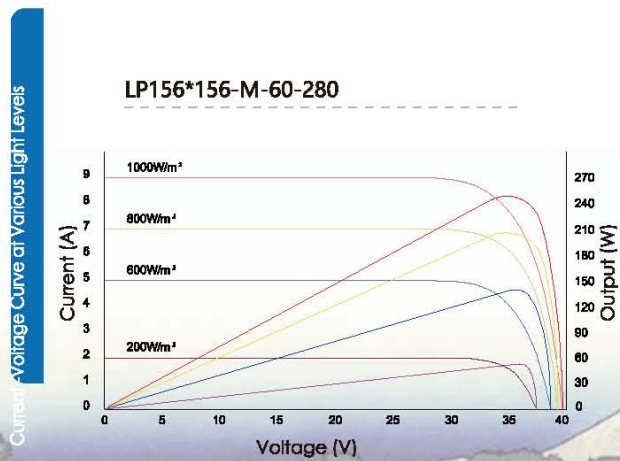
• TÜV PID Certificate



- TÜV Certificate
- IEC61215:2016
- IEC61730:2016



• Maximum System Voltage



Leapton Energy Co., Ltd.
HEAD OFFICE, Kobe, JAPAN
 Tosel Bldg.6F,1-2-1,Aiol-cho,
 Chuo-ku,Kobe-shi,
 Hyogo 650-0025,Japan

PV Module Manufacturer
Leapton Solar (Changshu) Co.,Ltd.
 No.55,Sunshine Avenue,Changshu City,
 Jiangsu, China

www.leaptonpv.com
 info@leaptonenergy.com



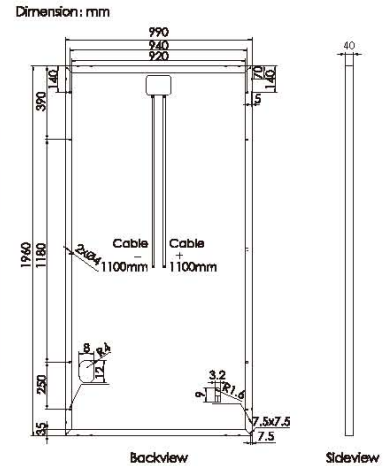
LP156x156-M-72

Rated Power 330-340W



Monocrystalline

Polycrystalline



Product Series	LP156*156-M-72		
Maximum Rated Power	330W	335W	340W
Open Circuit Voltage	45.4V	45.5V	45.5V
Short Circuit Current	9.40A	9.51A	9.62A
Maximum Power Voltage	37.0V	37.18V	37.3V
Maximum Power Current	8.90A	9.01A	9.12A
Module Efficiency	17.01%	17.3%	17.5%

Product Characteristics

Weight	21.5kg	Junction Box	IP67
Module Size	1960*990*40mm	Frame	Aluminum Alloy
Cell Amount	72 pcs of monocrystalline	Cable	4mm ² , Length>900mm
Cell Size	156*156mm	Connection	(Compatible with) MC4
Maximum System Voltage	1000V	Application Level	Class A

Temperature Characteristics

NOCT	45±2°C	Output Tolerance	0~+3%
Temperature Coefficient of Short Circuit Current	+0.06%/°C	Operating Temperature	-40°C~+85°C
Temperature Coefficient of Open Circuit Voltage	-0.3%/°C	Wind Load / Snow Load	2400pa/5400pa
Temperature Coefficient of Maximum Power	-0.40%/°C	Fuse Current	15A

Maximum Ratings



- 10-YEAR 90% Maximum Output
- 25-YEAR 80% Maximum Output



• J-PEC Product



- Salt Spray Certificate
- Ammonia Certificate
- IEC61701
- IEC62716



• TÜV PID Certificate

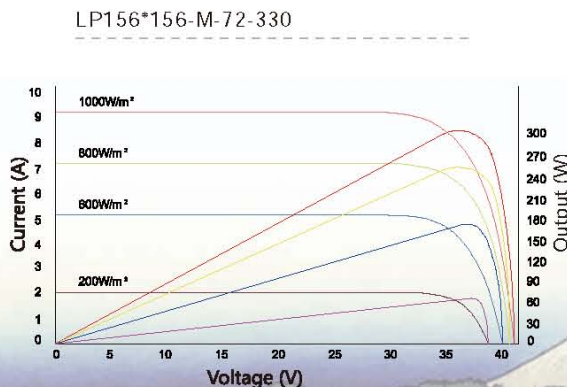


- TÜV Certificate
- IEC61215:2016
- IEC61730:2016

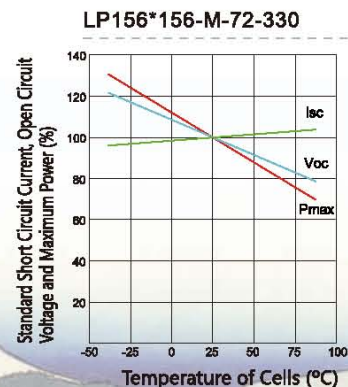


• Maximum System Voltage

Current-Voltage Curve at Various Light Levels



Output at Various Temperatures



Leapton Energy Co., Ltd.
 HEAD OFFICE, Kobe, JAPAN
 Tosei Bldg.6F, 1-2-1, Aioi-cho,
 Chuo-ku, Kobe-shi,
 Hyogo 650-0025, Japan

PV Module Manufacturer
 Leapton Solar (Changshu) Co., Ltd.
 No.55, Sunshine Avenue, Changshu City,
 Jiangsu, China

www.leaptonpv.com
 info@leaptonenergy.com



LEAPTON
SOLAR

LP156x156-P-60

Rated Power 265-275W

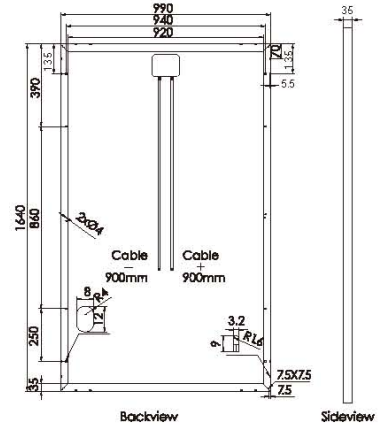


Monocrystalline

Polycrystalline



Dimension: mm



Product Series	LP156*156-P-60		
Maximum Rated Power	265W	270W	275W
Open Circuit Voltage	37.1V	37.2V	37.3V
Short Circuit Current	9.30A	9.43A	9.57A
Maximum Power Voltage	31.0V	31.14V	31.29V
Maximum Power Current	8.55A	8.67A	8.79A
Module Efficiency	16.3%	16.6%	16.9%

Product Characteristics

Weight	18.0kg	Junction Box	IP67
Module Size	1640*990*35mm	Frame	Aluminum Alloy
Cell Amount	60 pcs of polycrystalline	Cable	4mm ² , Length ≥ 1100mm
Cell Size	156*156mm	Connection	(Compatible with) MC4
Maximum System Voltage	1000V	Application Level	Class A

Temperature Characteristics

Temperature Characteristics		Maximum Ratings	
NOCT	45±2°C	Output Tolerance	0~+3%
Temperature Coefficient of Short Circuit Current	+0.06%/°C	Operating Temperature	-40°C~+85°C
Temperature Coefficient of Open Circuit Voltage	-0.3%/°C	Wind Load / Snow Load	2400pa/5400pa
Temperature Coefficient of Maximum Power	-0.40%/°C	Fuse Current	15A



- 10-YEAR 90% Maximum Output
- 25-YEAR 80% Maximum Output



J-PEC Product



- Salt Spray Certificate
- Ammonia Certificate
- IEC61701
- IEC62716



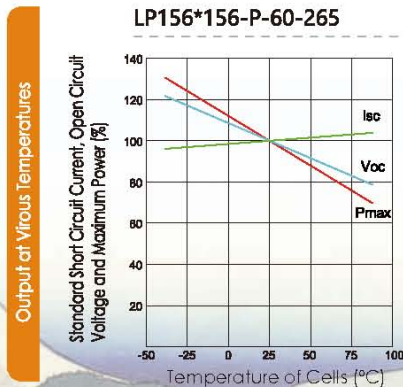
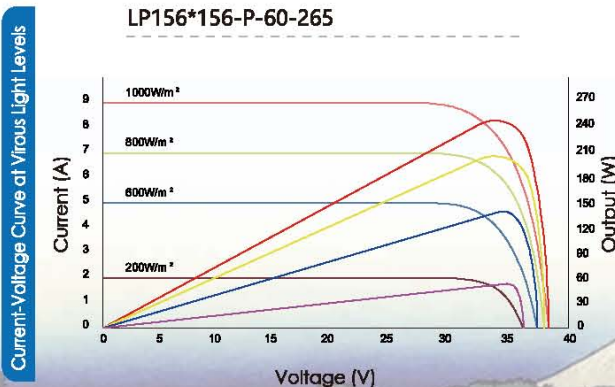
TÜV PID Certificate



- TÜV Certificate
- IEC61215:2016
- IEC61730:2016



Maximum System Voltage



Leapton Energy Co., Ltd.
HEAD OFFICE, Kobe, JAPAN
Tosei Bldg.6F, 1-2-1, Aioi-cho,
Chuo-ku, Kobe-shi,
Hyogo 650-0025, Japan

PV Module Manufacturer
Leapton Solar (Changshu) Co., Ltd.
No.55, Sunshine Avenue, Changshu City,
Jiangsu, China

www.leaptonpv.com
info@leaptonenergy.com



LEAPTON
SOLAR

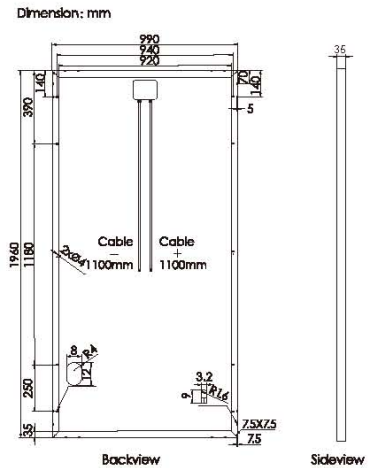
LP156x156-P-72

Rated Power 320-330W



Monocrystalline

Polycrystalline



Product Series	LP156*156-P-72		
Maximum Rated Power	320W	325W	330W
Open Circuit Voltage	45.11V	45.18V	45.20V
Short Circuit Current	9.31A	9.43A	9.55A
Maximum Power Voltage	36.57V	36.68V	36.80V
Maximum Power Current	8.75A	8.86A	8.97A
Module Efficiency	16.5%	16.7%	17.0%

Product Characteristics

Weight	21.5kg	Junction Box	IP67
Module Size	1960*990*40mm	Frame	Aluminum Alloy
Cell Amount	72 pcs of polycrystalline	Cable	4mm ² , Length ≥ 1100mm
Cell Size	156*156mm	Connection	(Compatible with) MC4
Maximum System Voltage	1000V	Application Level	Class A

Temperature Characteristics

Temperature Characteristics		Maximum Ratings	
NOCT	45±2°C	Output Tolerance	0~+3%
Temperature Coefficient of Short Circuit Current	+0.06%/°C	Operating Temperature	-40°C~+85°C
Temperature Coefficient of Open Circuit Voltage	-0.3%/°C	Wind Load / Snow Load	2400pa/5400pa
Temperature Coefficient of Maximum Power	-0.40%/°C	Fuse Current	15A



- 10-YEAR 90% Maximum Output
- 25-YEAR 80% Maximum Output



J-PEC Product



- Salt Spray Certificate
- Ammonia Certificate
- IEC61701
- IEC62716



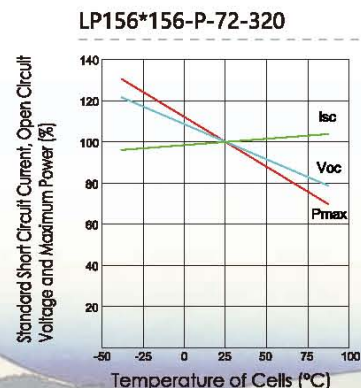
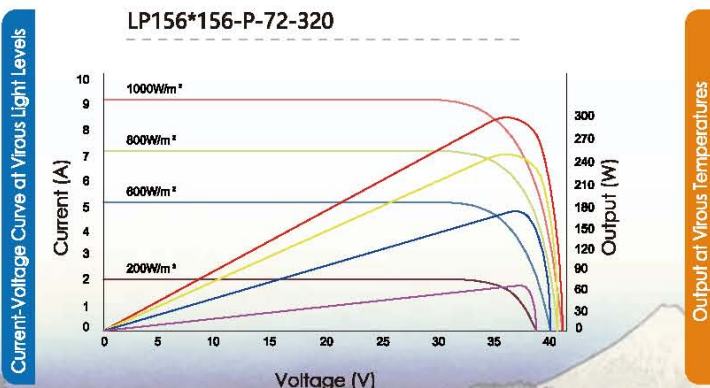
TÜV PID Certificate



- TÜV Certificate
- IEC61215:2016
- IEC61730:2016



Maximum System Voltage



Leapton Energy Co., Ltd.
HEAD OFFICE, Kobe, JAPAN
Tosei Bldg.6F, 1-2-1, Aioi-cho,
Chuo-ku, Kobe-shi,
Hyogo 650-0025, Japan

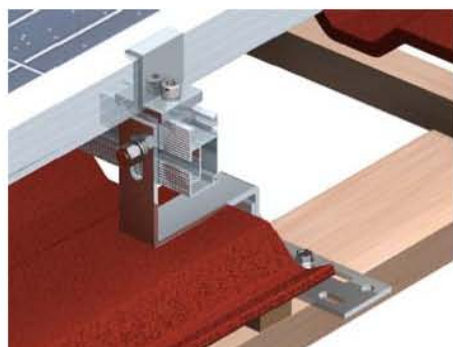
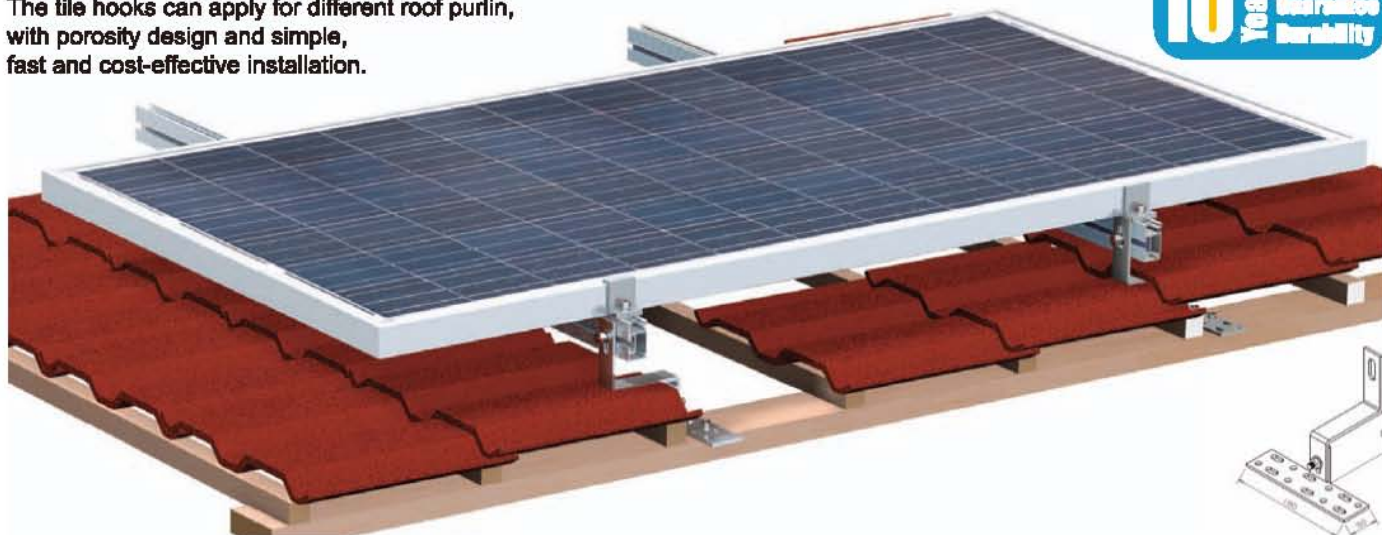
PV Module Manufacturer
Leapton Solar (Changshu) Co., Ltd.
No.55, Sunshine Avenue, Changshu City,
Jiangsu, China

www.leaptonpv.com
info@leaptonenergy.com



MRA1RF2 mounting system suits to install on residential rooftop. The tile hooks can apply for different roof purlin, with porosity design and simple, fast and cost-effective installation.

10 Years Quality Guarantee Durability



42m/s Max Wind Load	1200mm Max Snow Load
Design Standard	JIS C8955-2011 AS/NZS 1170 EN1055 IBC2009
Approval Standard	gamcorp

Technical Parameters:

1. Material: Aluminum Alloy AL6005-T5
2. SUS 304 Fasteners
3. Standard Wind Load: 35m/s Max Wind Load: 42m/s
4. Standard Snow Load: 1200mm
5. High Strengthen AL6005-T5 Aluminum Alloy
6. Solar Module sizes: 31/32/35/38/40/45/46/50
7. Design Standard: JISC8955-2017

Main Parts



Leapton Energy Co., Ltd.
HEAD OFFICE, Kobe, JAPAN
 Tosei Bldg. 6F, 1-2-1, Aioi-cho,
 Chuo-ku, Kobe-shi,
 Hyogo 650-0025, Japan

PV Mounting Manufacturer
Leapton Metal (Suzhou) Co., Ltd.
 No.28, Daguanlou Road, Zhoushi Town,
 Kunshan, Jiangsu, China

www.leaptonsolar.com
info@leaptonenergy.com

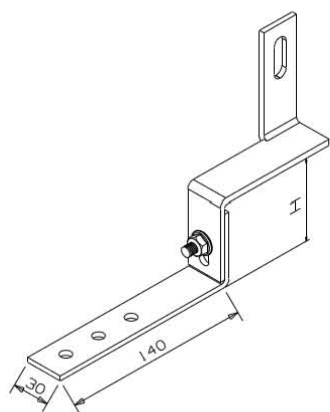
天行有常，
 不为尧存，
 不为桀亡。
 君子居则
 贵德，
 动则贱德。



MRA1-RF2

Tile Roof Mounting System

Derivative Product



Parameter
A803
Height
55-75mm

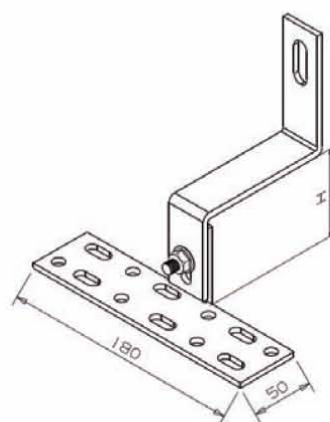
Parameter
A816
Height
177-253mm



Parameter
A804
Height
55-75mm

Parameter
A815
Height
62-89mm

Parameter
A822
Height
75-90mm



Parameter
A814
Height
70mm

Parameter
A811
Height
45mm



Parameter
A805
Height
65-85mm

Parameter
A820
Height
75-95mm



Parameter
A803
Height
45mm



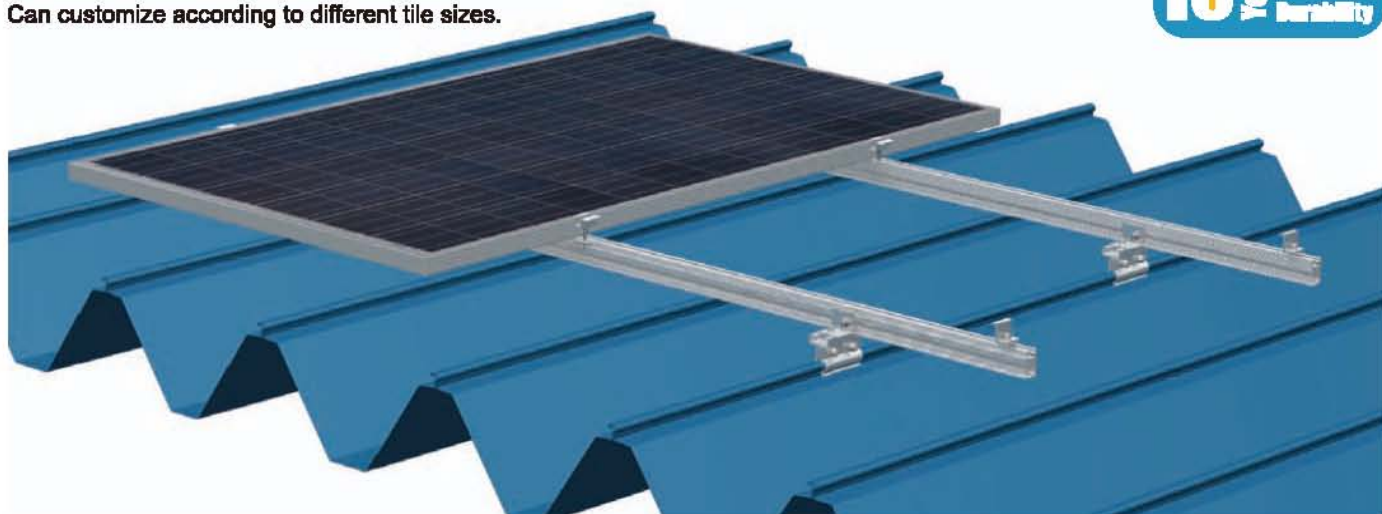
Parameter
A806
Height
65-85mm





MRA2RD is suited for the tin roof with the clamp type to fix, and stable structure, and quick-installation. Can customize according to different tile sizes.

10 Years Quality Guarantee Durability



42_{m/s} Max Wind Load	800_{mm} Max Snow Load
Design Standard	JIS C8955-2011 AS/NZS 1170 EN1855 IBC2009
Approval Standard	gamcorp

Technical Parameters

1. Material: Aluminum Alloy AL6005-T5
2. SUS 304 Fasteners
3. Standard Wind Load: 35m/s
Max Wind Load: 42m/s
4. Standard Snow Load: 500mm
Max Snow Load: 800mm
5. High Strengthen Al6005-T5 Aluminum Alloy
6. Solar Module sizes: 31/32/35/38/40/45/46/50
7. Design Standard: JISC8955-2017

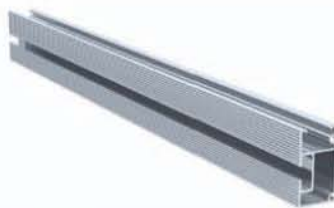
Main Parts



AR02



A345



Rail 50



Rail 50 Splice Kit



Clamp Kit 59L0050A



End Clamp A840



Mid Clamp A740

Leapton Energy Co., Ltd.
HEAD OFFICE, Kobe, JAPAN
Tosei Bldg. 6F, 1-2-1, Aioi-cho,
Chuo-ku, Kobe-shi,
Hyogo 650-0025, Japan

PV Mounting Manufacturer
Leapton Metal (Suzhou) Co., Ltd.
No.28, Daguanliou Road, Zhoushi Town,
Kunshan, Jiangsu, China

www.leaptonsolar.com
info@leaptonenergy.com

MRA2-RD

Tin Roof Mounting System

Derivative Product



Pill-tile Clamp AR01



End Clamp A840



Pill-tile Clamp AR02



Clamp Kit A940



Clamp CR01



Hex Bolt Set A345



Clamp CR02



Hex Bolt Set A345



Clamp Kit ZL01



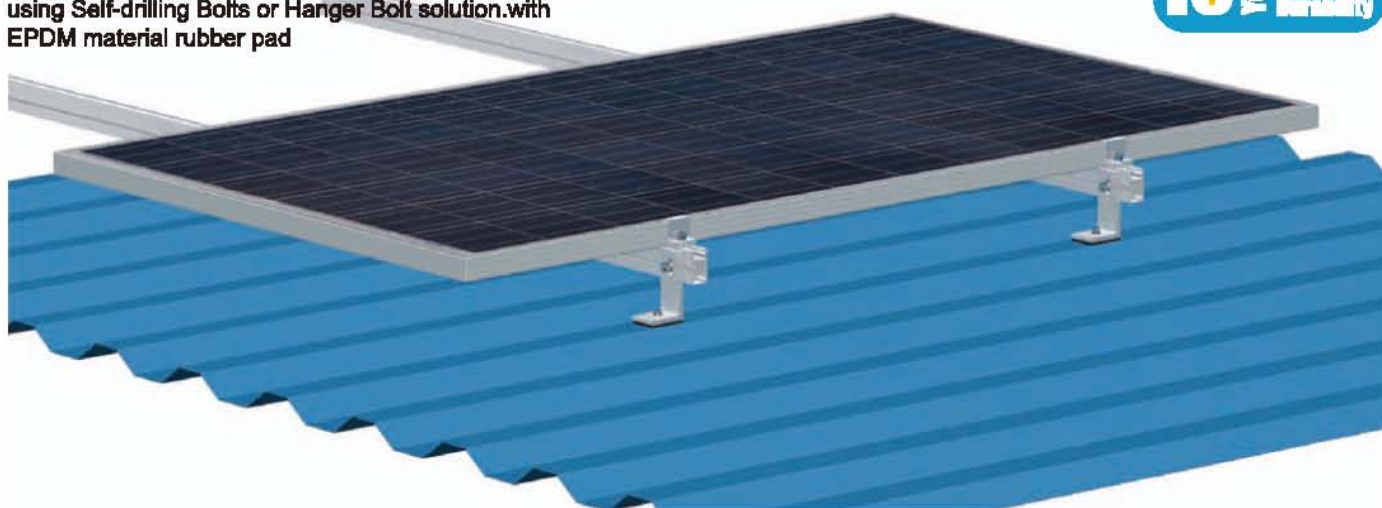
Hex Bolt Set A345





MRA2TD is suited for the Trapezoidal Metal roof. There are main two fixed solutions for trapezoidal roof using Self-drilling Bolts or Hanger Bolt solution with EPDM material rubber pad

10 Years Quality Guarantee Durability



42_{m/s} Max Wind Load	800_{mm} Max Snow Load
Design Standard	JIS C8955-2011 AS/NZS 1170 EN1055 IBC2009
Approval Standard	gamcorp

Technical Parameters

1. Material: Aluminum Alloy AL6005-T5
2. SUS 304 Fasteners
3. Standard Wind Load: 35m/s
Max Wind Load: 42m/s
4. Standard Snow Load: 500mm
Max Snow Load: 800mm
5. High Strengthen AL6005-T5 Aluminum Alloy
6. Solar Module sizes: 31/32/35/38/40/45/46/50
7. Design Standard: JISC8955-2017

Main Parts



Leapton Energy Co., Ltd.
HEAD OFFICE, Kobe, JAPAN
Tosei Bldg.6F, 1-2-1, Aioi-cho,
Chuo-ku, Kobe-shi,
Hyogo 650-0025, Japan

PV Mounting System Manufacturer
Leapton Metal (Shuzhou) Co., Ltd.
No.28, Daguanlou Road, Zhoushi Town,
Kunshan, Jiangsu, China

www.leaptonsolar.com
info@leaptonenergy.com

天行有常 唯道不迁
君子居则观象象而法之
动则观象象而法之

MRA2-TD

Tile Roof Mounting System

Derivative Product



L-foot (With Rubber Pad) AS45



Self-drilling Screw



T Bolt Set A330



L-foot 6FL0045A



Hanger Bolt AJ20 M10X200



T Bolt Set A330



Clamp Kit 45L0100A



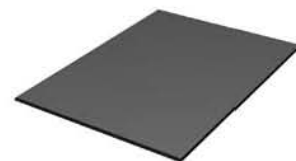
Clamp Kit AB40



U Rail 31



Self-drilling Screw



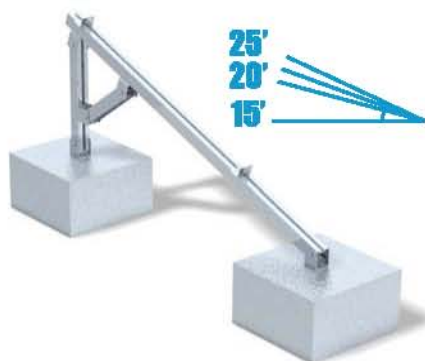
Rubber Pad

MRA3-A5

Flat Concrete Roof Mounting System

MRA3A5 is suited for concrete rooftop and tin roof. Under the premise of meeting structural strength, MRA3A5 is lightweight design and pre-installation before delivery, with flexible and quick installation and convenient transportation.

10 Years Quality Guarantee Durability



42m/s Max Wind Load	800mm Max Snow Load
Design Standard	JIS C8955-2011 AS/NZS 1170 EN1055 IBC2009
Approval Standard	 gamcorp

Technical Parameters

1. Material: Aluminum Alloy AL6005-T5
2. SUS 304 Fasteners
3. Standard Wind Load: 35m/s
Max Wind Load: 42m/s
4. Standard Snow Load: 500mm
Max Snow Load: 800mm
5. Angle can be 15 20 25 degree.
Accept customised design.
6. Solar Module sizes: 31/32/35/38/40/45/46/50
7. Design Standard: JISC8955-2017

Main Parts



Leg D5LXXXXA



Base D6L0050A



Clamp Kit 59L0050A



End Clamp A840



Mid Clamp A740

MRA3-A6

Flat Concrete Roof Mounting System

MRA3A6 is suited for flat concrete rooftop with concrete ballasts.
Lightweight design ,flexible and quick installation and convenient transportation.

10 Years Quality Guarantee Durability



42m/s
Max Wind Load

1200mm
Standard Snow Load

Design Standard

JIS C8955-2011
AS/NZS 1170
EN1055 IBC2009

Approval Standard

gamcorp
Approved by Gamcorp

Technical Parameters

1. Material: High Strengthen Al6005-T5 Aluminum Alloy
2. Fixed Angle: 5±3degree /10±3 degree,
3. Standard Wind Load:30m/s
Max Wind Load:42m/s
4. Standard Snow Load:1200mm
5. Solar Module sizes:31/32/35/38/40/45/46/50
6. Design Standard:JISC8955-2017

Main Parts



U-Type Bolt



Bottom Beam CRA0190A



Front Draw Bar CRA0504A



Rear Draw Bar CRA0505A



Clamp Kit A340



Column Bracing 5HL0870A

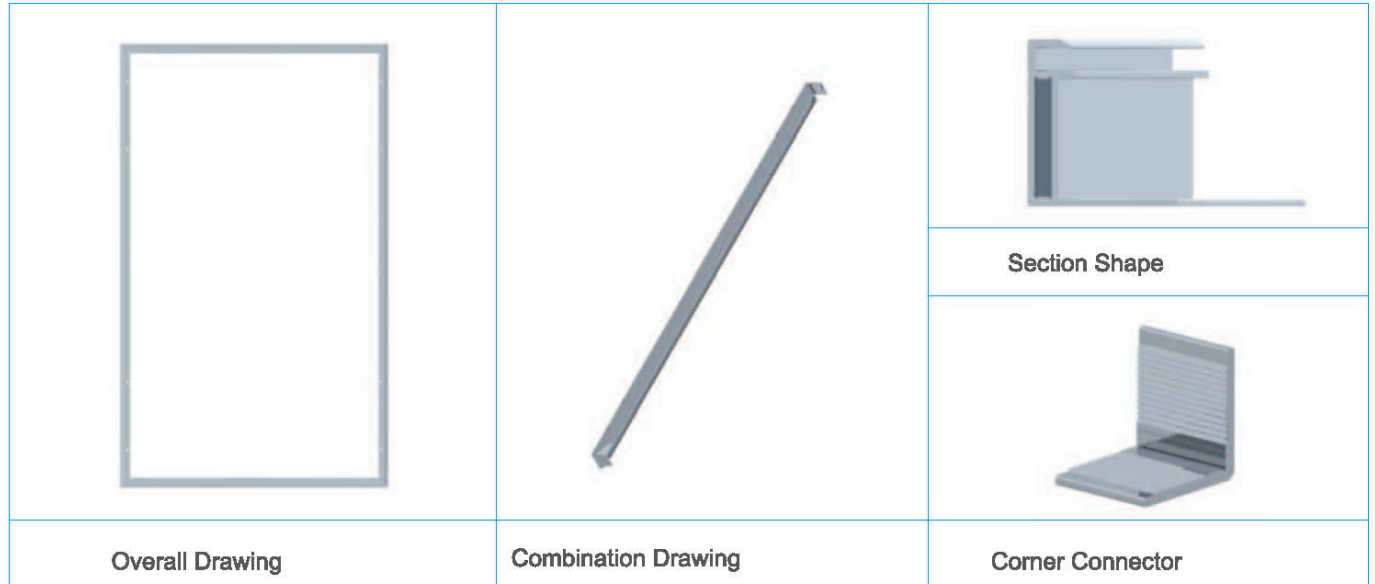
Leapton Energy Co., Ltd.
HEAD OFFICE, Kobe, JAPAN
Tosei Bldg.6F, 1-2-1, Aioi-cho,
Chuo-ku, Kobe-shi,
Hyogo 650-0025, Japan

PV Mounting System Manufacturer
Leapton Metal (Shuzhou) Co., Ltd.
No.28, Daguanlou Road, Zhoushi Town,
Kunshan, Jiangsu, China

www.leaptonsolar.com
info@leaptonenergy.com



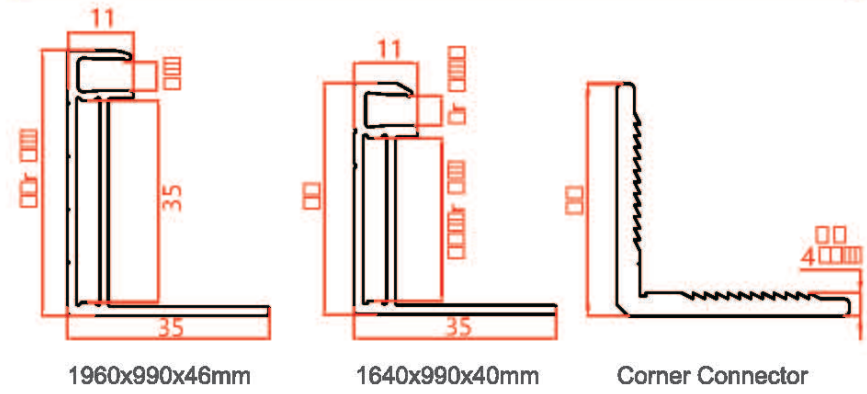
Aluminum Solar Panel Frame



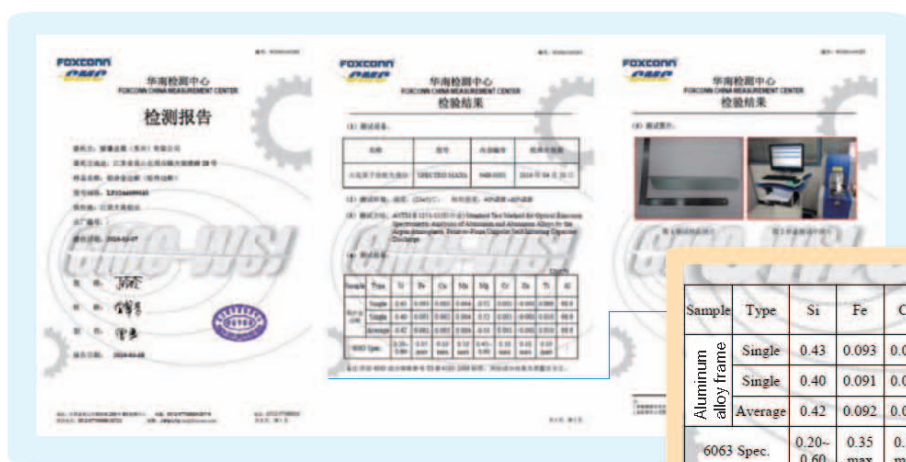
Technical Parameters

- Normal Dimension (mm)
 - 1960x990x46
 - 1640x990x40
 - ✳ Other dimensions can be customized.
- Material : Aluminum Alloy AL6063-T5
- Surface : Anodized / Sand blast
- Standard : GB/5237-2008

Section Dimension (mm)



Test Certificate



Sample	Type	Si	Fe	Cu	Mn	Mg	Cr	Zn	Ti	Al	Unit: %
Aluminum alloy frame	Single	0.43	0.093	0.003	0.004	0.51	0.001	<0.001	0.009	98.9	
	Single	0.40	0.091	0.002	0.004	0.52	0.001	<0.001	0.010	98.9	
	Average	0.42	0.092	0.003	0.004	0.51	0.001	<0.001	0.010	98.9	
6063 Spec.		0.20~0.60	0.35 max	0.10 max	0.10 max	0.45~0.90	0.10 max	0.10 max	0.10 max		

Quality • Guarantee

15-year Guarantee



Third-party Test



Mechanical Calculation

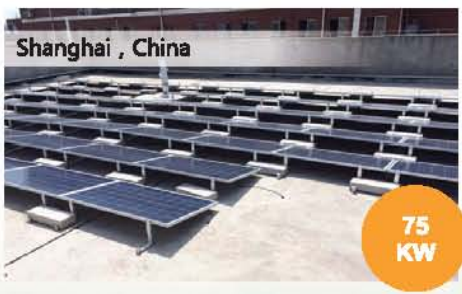


盐水喷雾腐蚀认证



Test Chemitox





Leapton Energy Co., Ltd.
HEAD OFFICE, Kobe, JAPAN
Tosei Bldg.6F,1-2-1,Aioi-cho,
Chuo-ku,Kobe-shi,
Hyogo 650-0025,Japan

PV Module Manufacturer
Leapton Solar (Changshu) Co.,Ltd.
No.55, Sunshine Avenue,Changshu City,
Jiangsu, China

www.leaptonpv.com
info@leaptonenergy.com

星
望
不
二

Projects



Leapton Energy Co., Ltd.
HEAD OFFICE, Kobe, JAPAN
 Tosei Bldg.6F,1-2-1,Aioi-cho,
 Chuo-ku,Kobe-shi,
 Hyogo 650-0025,Japan

PV Module Manufacturer
Leapton Solar (Changshu) Co.,Ltd.
 No.55,Sunshine Avenue,Changshu City,
 Jiangsu, China

www.leaptonpv.com
info@leaptonenergy.com



兵庫県



Akashi-shi

Leapton Energy Co., Ltd.
HEAD OFFICE, Kobe, JAPAN
Tosei Bldg.6F,1-2-1,Aioi-cho,
Chuo-ku,Kobe-shi,
Hyogo 650-0025,Japan

PV Module Manufacturer
Leapton Solar (Changshu) Co.,Ltd.
No.55, Sunshine Avenue,Changshu City,
Jiangsu, China

www.leaptonpv.com
Info@leaptonenergy.com



Projects



Hyogo



明石市

Leapton Energy Co., Ltd.
HEAD OFFICE, Kobe, JAPAN
Tosei Bldg.6F,1-2-1,Aioi-cho,
Chuo-ku,Kobe-shi,
Hyogo 650-0025,Japan

PV Module Manufacturer
Leapton Solar (Changshu) Co.,Ltd.
No.55,Sunshine Avenue,Changshu City,
Jiangsu, China

www.leaptonpv.com
info@leaptonenergy.com

明石市
無極在飛街
肥後ノ不二

Safety Information

Please read this manual carefully before installation

- Please consult technician or authorized agent before purchasing.
 - The installation must be done by the qualified constructors.
 - Do not try to intall the products in rainy, snowy, high-temperature or windy days.
 - No liability will be assumed and no warranty will be given for any damage caused by incorrect installation, faulty planning or design of the photovoltaic system or improper use.
- Some materials may be changed due to the product improvement.
 - Product pictures of this catalogue are just for renderings, which might be different with actual colors.
 - Please keep this catalogue in a safe place.

HEAD OFFICE, Kobe, JAPAN Leapton Energy Co., Ltd.

www.leaptonenergy.jp
Tel: +81-78-382-3182 Fax: +81-78-382-3183
Tosei Bldg.6F,1-2-1,Aioi-cho,Chuo-ku,Kobe-shi,
Hyogo 650-0025,Japan

Tokyo Branch, JAPAN Leapton Energy Co., Ltd.

www.leaptonenergy.jp
Tel: +81-3-5510-7818 Fax: +81-3-5510-7819
Shinsan Bldg.6F,3-5-10,Shimbashi,Minato-ku,
Tokyo 105-0004,Japan

Sri Lanka Agency Three Sinha Roofing (Pvt) Ltd (solar pv system)

www.leaptonsolar.com
Tel: +94(11)-7-65-65-65
Info@threesinha.com.lk ; solar@threesinha.lk
No.1564, Kotte Road,Rajagiriya,Sri Lanka

PV System Integrator Leapton Engineering Technology (Shanghai) Co., Ltd.

www.leaptonenergy.com
Tel: +86-21-5308-9708 Fax: +86-21-5308-0709
Info@leaptonenergy.com
11F Bldg.A.Hongkou Plaza, No.388, West Jiangwan Rd.,
Shanghai 200083, China

PV Module Manufacturer Leapton Solar (Changshu) Co.,Ltd.

www.leaptonpv.com
Tel: +86-512-88800068 Fax: +86-512-88800068x810
info@leaptonenergy.com
No.55,Sunshine Avenue,Changshu City,Jiangsu, China

PV Mounting System Manufacturer Leapton Metal (Suzhou) Co., Ltd.

www.leaptonsolar.com
Tel: +86-512-5755-2982 Fax: 0512-5755-2983
Info@leaptonenergy.com
No.28, Daganlou Road,Zhoushi Town,Kunshan,Jiangsu, China

