



LEAPTON
SOLAR

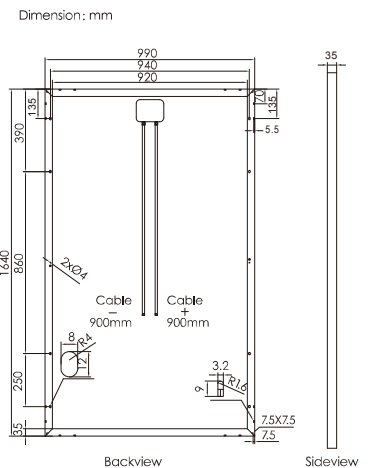
LP156x156-P-60

Rated Power 265-275W



Monocrystalline

Polycrystalline



Product Series	LP156*156-P-60		
Maximum Rated Power	265W	270W	275W
Open Circuit Voltage	37.1V	37.2V	37.3V
Short Circuit Current	9.30A	9.43A	9.57A
Maximum Power Voltage	31.0V	31.1V	31.3V
Maximum Power Current	8.55A	8.67A	8.79A
Module Efficiency	16.3%	16.6%	16.9%

Product Characteristics

Weight	18.0kg	Junction Box	IP67
Module Size	1640*990*35mm	Frame	Aluminum Alloy
Cell Amount	60 pcs of polycrystalline	Cable	4mm ² , Length 100mm
Cell Size	156*156mm	Connection	(Compatible with) MC4
Maximum System Voltage	1000V	Application Level	Class A

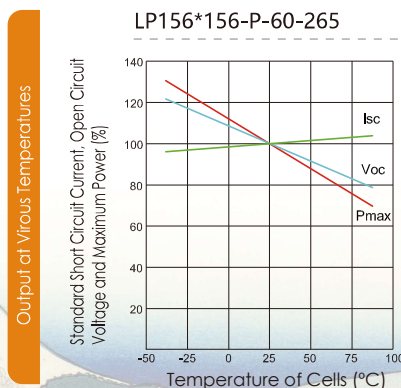
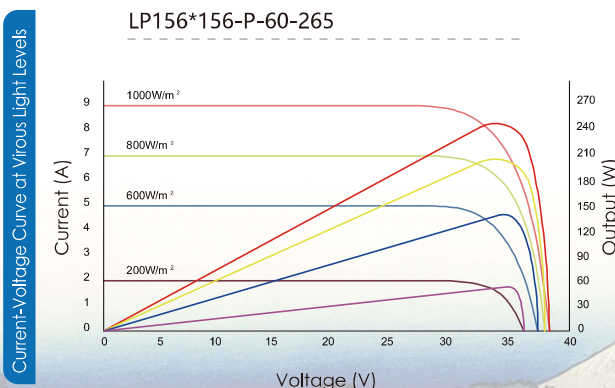
Temperature Characteristics

NOCT	45±2°C	Output Tolerance	0~+3%
Temperature Coefficient of Short Circuit Current	+0.0462%/°C	Operating Temperature	-40°C~+85°C
Temperature Coefficient of Open Circuit Voltage	-0.3121%/°C	Wind Load / Snow Load	2400pa/5400pa
Temperature Coefficient of Maximum Power	-0.4336%/°C	Fuse Current	15A

Maximum Ratings



- 10-Year 90% Maximum Output
- 25-Year 80% Maximum Output



Leapton Energy Co., Ltd.
HEAD OFFICE, Kobe, JAPAN
Tosei Bldg.6F, 1-2-1, Aioi-cho,
Chuo-ku, Kobe-shi,
Hyogo 650-0025, Japan

PV Module Manufacturer
Leapton Solar (Changshu) Co., Ltd.
No.55, Sunshine Avenue, Changshu City,
Jiangsu, China

www.leaptonpv.com
info@leaptonenergy.com