



Pronto Planting System Parts Catalog

Issued April 2017

40 DC

Serial Numbers:
40DC SN 140040017001 – 17xxx

HORSCH
Farming with passion

Contents

| | |
|--|----|
| Section 1 – Base Machine | 9 |
| 04330000 – Pronto 40DC Planting System | 10 |
| 04330000 – Pronto 40DC Planting System | 11 |
| 04335200 – Front Hitch Assembly, Pronto 40 DC | 12 |
| 04335200 – Front Hitch Assembly, Pronto 40 DC | 13 |
| 04596565 – Assembly, CAT IV/V 3-Hole Perfect Hitch w/ Hardware | 14 |
| 04596565 – Assembly, CAT IV/V 3-Hole Perfect Hitch w/ Hardware | 15 |
| 04596575 – Assembly, CAT IV 2-Hole Perfect Hitch w/ Hardware | 16 |
| 04596575 – Assembly, CAT IV 2-Hole Perfect Hitch w/ Hardware | 17 |
| 04596580 – Assembly, CAT IV Bull Pull Hitch w/ Hardware | 18 |
| 04596580 – Assembly, CAT IV Bull Pull Hitch w/ Hardware | 19 |
| 04596585 – Assembly, CAT V Bull Pull Hitch w/ Hardware | 20 |
| 04596585 – Assembly, CAT V Bull Pull Hitch w/ Hardware | 21 |
| 04596595 – Hitch Assy, CAT III/IV, Articulating | 22 |
| 04596595 – Hitch Assy, CAT III/IV, Articulating | 23 |
| 04596590 – Hitch Assy, CAT IV/V, Articulating..... | 24 |
| 04596590 – Hitch Assy, CAT IV/V, Articulating..... | 25 |
| 04335100 – Frame Assembly, Pronto 40 DC (Left Wing) | 26 |
| 04335100 – Frame Assembly, Pronto 40 DC (Detail A) | 27 |
| 04335100 – Frame Assembly, Pronto 40 DC (Main Frame) | 28 |
| 04335100 – Frame Assembly, Pronto 40 DC (Detail B) | 29 |
| 04335100 – Frame Assembly, Pronto 40 DC (Parts Listing) | 30 |
| 04335100 – Frame Assembly, Pronto 40 DC (Parts Listing cont'd) | 31 |
| 04335402 – Packer Spring Assembly, Suspension..... | 32 |
| 04335402 – Packer Spring Assembly, Suspension..... | 33 |
| 04335101 – Caster Axle Assembly, Pronto 40 DC..... | 34 |
| 04335101 – Caster Axle Assembly, Pronto 40 DC..... | 35 |
| 04101260 – Assembly, Walking Caster Hub & Spindle | 36 |
| 04101260 – Assembly, Walking Caster Hub & Spindle | 37 |
| Notes: | 38 |
| Section 2 – Packer System..... | 39 |
| 04335400 – Packer Assembly, Pronto 40 DC | 40 |

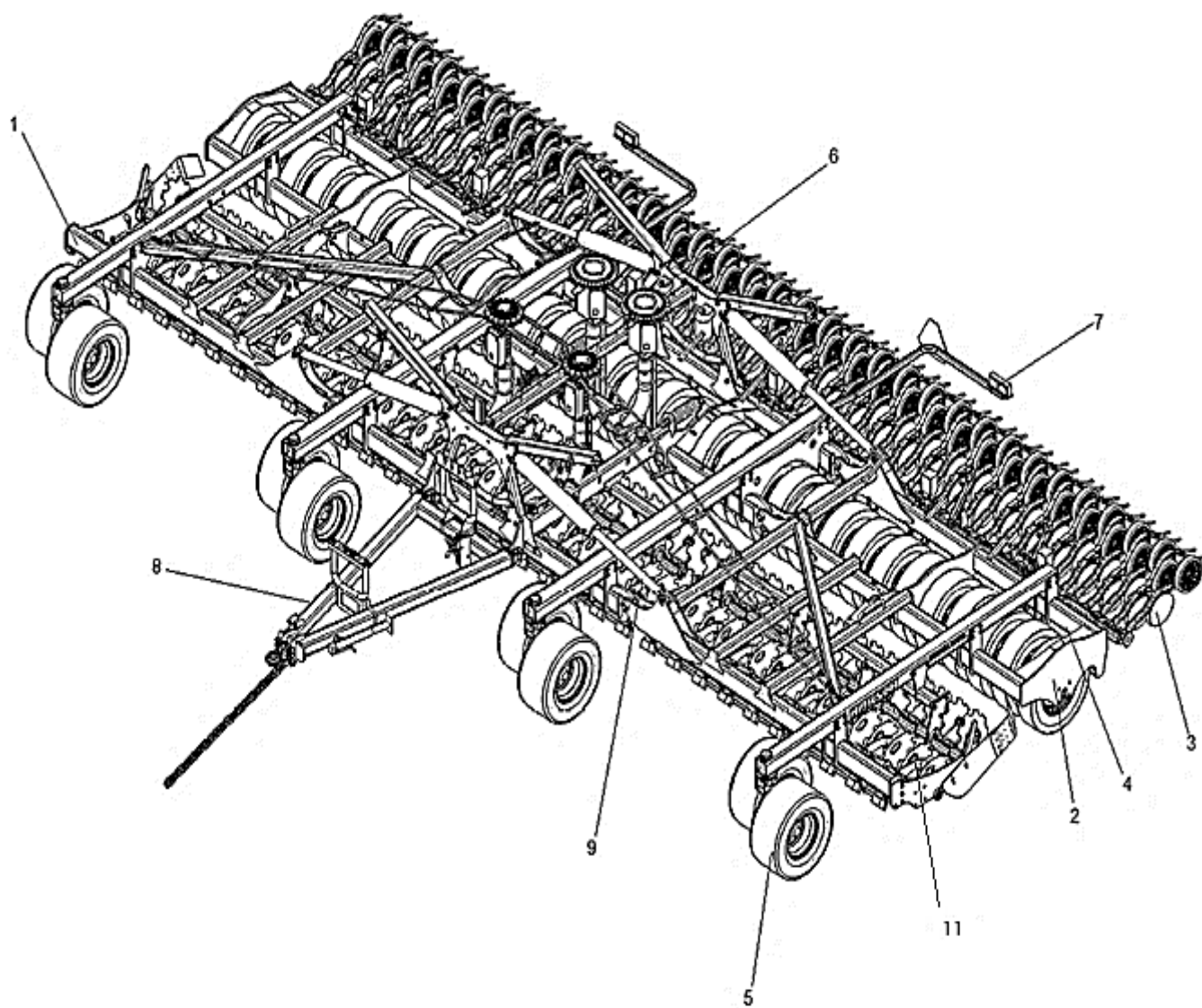
| | |
|---|----|
| 04335400 – Packer Assembly, Pronto 40 DC..... | 41 |
| 04335411 – Packer Assembly, Main Center | 42 |
| 04335411 – Packer Assembly, Main Center | 43 |
| 04335410 – Packer Assembly, Main Outer | 44 |
| 04335410 – Packer Assembly, Main Outer | 45 |
| 04335412 – Packer Assembly, Wing Inner..... | 46 |
| 04335412 – Packer Assembly, Wing Inner..... | 47 |
| 04335401 – Packer Scraper Assembly | 48 |
| 04335401 – Packer Scraper Assembly | 49 |
| Notes:..... | 50 |
| Section 3 – Air System/Pneumatics | 51 |
| 04335800 – Single Shoot Air System, Pronto 40 DC | 52 |
| 04335800 – Single Shoot Air System, Pronto 40 DC | 53 |
| 00500200 – Manifold, 32-Run Stainless, Single Shoot Air System..... | 54 |
| 00500200 – Manifold, 32-Run Stainless, Single Shoot Air System..... | 55 |
| 04337000 – Double Shoot Air System, Pronto 40 DC..... | 56 |
| 04337000 – Double Shoot Air System, Pronto 40 DC..... | 57 |
| 04151600 – Manifold, 16-Run, Double Shoot Air System..... | 58 |
| 04151600 – Manifold, 16-Run, Double Shoot Air System..... | 59 |
| Notes:..... | 60 |
| Section 4 – Electronics/Electrical | 61 |
| 04335700 – Assembly, Lighting, Pronto 40 DC | 62 |
| 04335700 – Assembly, Lighting, Pronto 40 DC | 63 |
| 04338903 – ISO Blockage Monitor, Single Shoot Air System | 64 |
| 04338904 – ISO Blockage Monitor, Double Shoot Air System..... | 65 |
| 04338905 – Wireless Blockage Monitor, Single Shoot Air System..... | 66 |
| 04338906 – Wireless Blockage Monitor, Double Shoot Air System | 68 |
| 04338906 – Wireless Blockage Monitor, Double Shoot Air System | 69 |
| 04331550 – Wireless Blockage Monitor Access Point..... | 70 |
| 04331550 – Wireless Blockage Monitor Access Point..... | 71 |
| 04331560 – Wireless Blockage Monitor Work Switch | 72 |
| 04331560 – Wireless Blockage Monitor Work Switch | 73 |
| Notes:..... | 74 |
| Section 5 – Disc System/Openers/Press Wheels | 75 |

| | |
|--|-----|
| 04330010 – Disc System, 18”, Pronto 40 DC (Detail A) | 76 |
| 04330010 – Disc System, 18”, Pronto 40 DC (Details B, C & D) | 77 |
| 04330010 – Disc System, 18”, Pronto 40 DC (Parts Listing) | 78 |
| 04330010 – Disc System, 18”, Pronto 40 DC (Parts Listing cont’d) | 79 |
| 04335610 – Front Coulter Assembly, Double Unit, 18” Blade | 80 |
| 04335610 – Front Coulter Assembly, Double Unit, 18” Blade | 81 |
| 04335620 – Rear Coulter Assembly, Double Unit, 18” Blade | 82 |
| 04335620 – Rear Coulter Assembly, Double Unit, 18” Blade | 83 |
| 23246700 – Bearing Unit, 3xM12, 111mm | 84 |
| 23246700 – Bearing Unit, 3xM12, 111mm | 85 |
| 04330011 – Disc System, 20”, Pronto 40 DC (Detail A) | 86 |
| 04330011 – Disc System, 20”, Pronto 40 DC (Details B, C & D) | 87 |
| 04330011 – Disc System, 20”, Pronto 40 DC (Parts Listing) | 88 |
| 04616500 – Front Coulter, EXLG, Double Unit, 20” Blade | 90 |
| 04616500 – Front Coulter, EXLG, Double Unit, 20” Blade | 91 |
| 04616700 – Rear Coulter, EXLG, Double Unit, 20” Blade | 92 |
| 04616700 – Rear Coulter, EXLG, Double Unit, 20” Blade | 93 |
| 28077800 – Hub Unit, Joker Disc Blade – Right Hand | 94 |
| 28077800 – Hub Unit, Joker Disc Blade – Right Hand | 95 |
| 28077900 – Hub Unit, Joker Disc Blade – Left Hand | 96 |
| 28077900 – Hub Unit, Joker Disc Blade – Left Hand | 97 |
| 04335500 – Opener Assembly, Pronto 40 DC | 98 |
| 04335500 – Opener Assembly, Pronto 40 DC | 99 |
| 23472300 – Adjustment Crank | 100 |
| 23472300 – Adjustment Crank | 101 |
| 04335503 – TurboDisc II Assembly, Short | 102 |
| 04335503 – TurboDisc II Assembly, Short | 103 |
| 04335502 – TurboDisc II Assembly, Long | 104 |
| 04335502 – TurboDisc II Assembly, Long | 105 |
| 23045200 – Mounting, TurboDisc II | 106 |
| 23045200 – Mounting, TurboDisc II | 107 |
| 23046200 – Harrow Tine, Turbo Disc II, Dual 150mm | 112 |
| 23046200 – Harrow Tine, Turbo Disc II, Dual 150mm | 113 |

| | |
|--|-----|
| 23046300 – Harrow Tine, Turbo Disc II, Single Left | 114 |
| 23046300 – Harrow Tine, Turbo Disc II, Single Left | 115 |
| Press Wheel Options, Pronto DC | 116 |
| Press Wheel Options, Pronto DC | 117 |
| Notes:..... | 118 |
| Section 6 – Hydraulics | 119 |
| 04335900 – Hydraulics, Pronto 40 DC..... | 120 |
| 04335900 – Hydraulics, Pronto 40 DC..... | 121 |
| 04335910 – Hydraulic Valve Assembly | 122 |
| 04335910 – Hydraulic Valve Assembly | 123 |
| 04335911 – Hydraulic Valve Manifold, Pronto DC | 124 |
| 04335911 – Hydraulic Valve Manifold, Pronto DC | 125 |
| 04339300 – Hose Kit, Pronto 40 DC (Disc System & Opener Circuit) | 126 |
| 04339300 – Hose Kit, Pronto 40 DC (Fold Circuit) | 127 |
| 04339300 – Hose Kit, Pronto 40 DC (Parts Listing) | 128 |
| 04335501 – Opener System Cylinder Assembly..... | 130 |
| 04335501 – Opener System Cylinder Assembly..... | 131 |
| Notes:..... | 132 |
| Section 7 – Decals | 133 |
| 04339400 – Decals, Pronto DC | 134 |
| 04339400 – Decals, Pronto DC | 135 |
| 04339400 – Decals, Pronto DC | 136 |
| 04339400 – Decals, Pronto DC | 137 |
| 04339400 – Decals, Pronto DC | 138 |
| 04339400 – Decals, Pronto DC | 139 |
| Notes:..... | 140 |
| Section 8 – Miscellaneous/Documentation..... | 141 |
| Paint Supplies | 142 |
| Paint Supplies | 143 |
| Documentation, Panther Planting System | 144 |
| Documentation, Panther Planting System | 145 |
| Index..... | 146 |

Section 1 – Base Machine

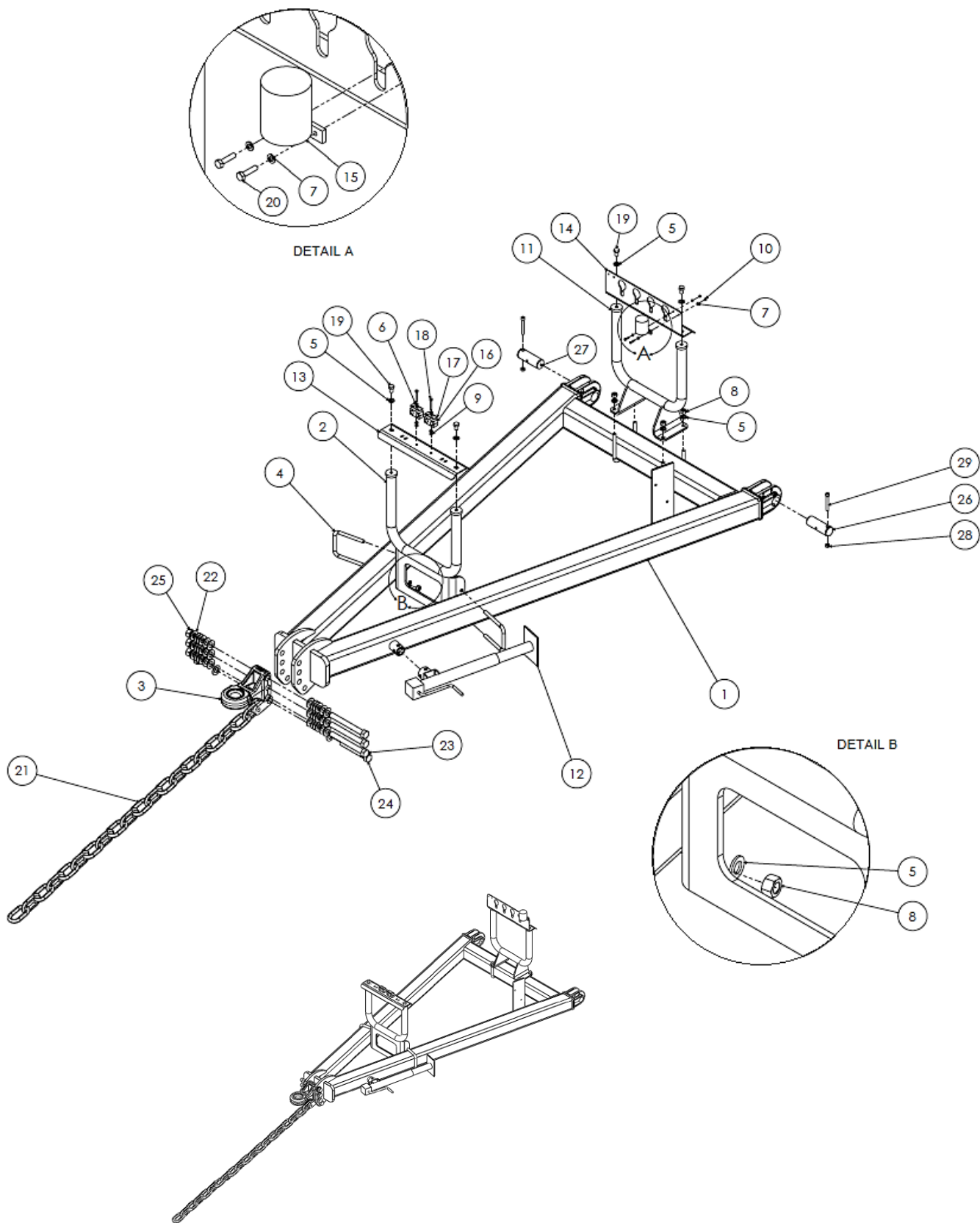
04330000 – Pronto 40DC Planting System



04330000 – Pronto 40DC Planting System

| Item | Part Number | Description | Qty. | Notes |
|------|-------------|-------------------------------|------|------------------------------|
| 1 | - | Frame Assy, Pronto DC40 | 1 | See 04335100 |
| 2 | - | Packer Assy, Pronto DC | 1 | See 04335400 |
| 3 | - | Opener Assy, Pronto DC | 1 | See 04335500 |
| 4 | - | Packer Scraper, Pronto DC | 29 | See 04335401 |
| 5 | - | Caster Assy, Pronto DC | 4 | See 04335101 |
| 6 | - | Single Shoot Air, Pronto DC40 | 1 | See 04335800 |
| - | - | Double Shoot Air, Pronto DC40 | 1 | See 04337000 |
| 7 | - | Lighting Assy, Pronto DC40 | 1 | See 04335700 |
| 8 | - | Front Hitch Assy, Pronto DC40 | 1 | See 04335200 |
| 9 | - | Hydraulic Assy, Pronto DC40 | 1 | See 04335900 |
| 10 | - | Decal Assy, Pronto DC40 | 1 | See 04339400 |
| 11 | - | Disc System, 18" | 1 | See 04330010 |
| - | - | Disc System, 20" | 1 | See 04330011 |

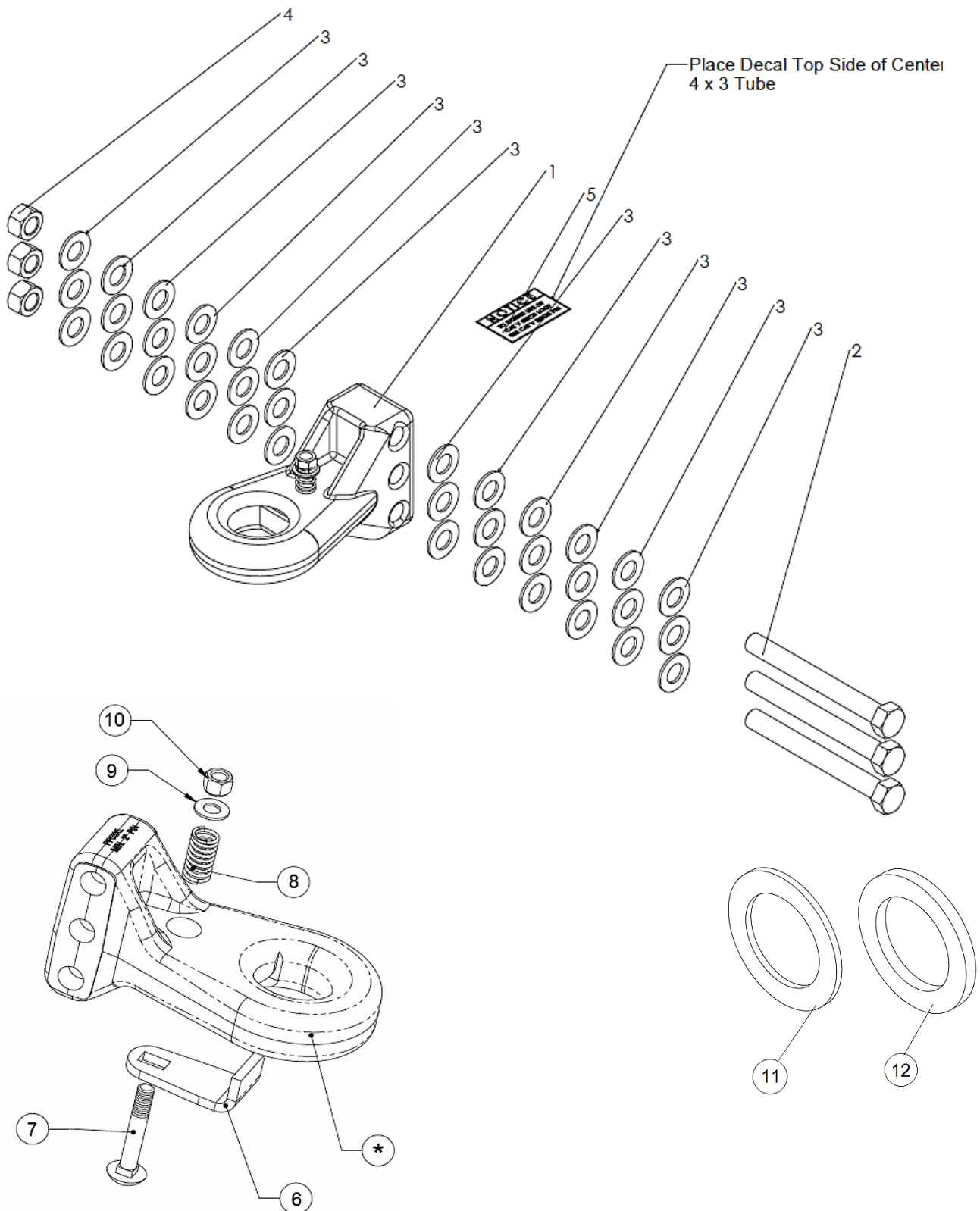
04335200 – Front Hitch Assembly, Pronto 40 DC



04335200 – Front Hitch Assembly, Pronto 40 DC

| Item | Part Number | Description | Qty. | Notes |
|------|-------------|--|------|-------|
| 1 | 04331000 | Front Hitch Pronto | 1 | |
| 2 | 04330900 | Hose Guide Front | 1 | |
| 3 | 04234920 | Articulating Hitch, Cat 4, Assy | 1 | |
| 4 | 04331099 | U-Bolt, M16-2.0x5"x6.5", 8.8, ZN | 4 | |
| 5 | M5A16000 | Washer, Flat, M16, DIN125, ZN | 12 | |
| 6 | M5A08000 | Washer, Flat, M8, DIN125, ZN | 4 | |
| 7 | M5A06000 | Washer, Flat, M6, DIN125, ZN | 4 | |
| 8 | M3C16000 | Nut, Nylock, M16-2.0, DIN985, Cl. 8, ZN | 8 | |
| 9 | M3C08000 | Nut, Nylock, M8-1.25, DIN985, Cl. 8, ZN | 2 | |
| 10 | M3C06000 | Nut, Nylock, M6-1.0, DIN985, Cl. 8, ZN | 2 | |
| 11 | 04330910 | Hose Guide Back | 1 | |
| 12 | 05202002 | Jack | 1 | |
| 13 | 04331098 | Hose Guide Plate, Pronto | 1 | |
| 14 | 04331097 | Hose Holder Rear | 1 | |
| 15 | 00501243 | Holder 7-Pin connector | 1 | |
| 16 | 04119502 | TWIN CLAMP, CUSHION 1/2" HOSE | 2 | |
| 17 | 04119503 | TWIN CLAMP, COVER PLATE 1/2" HOSE | 2 | |
| 18 | M1A08060 | Bolt, Hex, M8-1.25x60, DIN931, 8.8, ZN | 2 | |
| 19 | M1A16025 | Bolt, Hex, M16-2.0x25, DIN933, 8.8, ZN | 4 | |
| 20 | M1A06025 | Bolt, Hex, M6-1.0x25, DIN933, 8.8, ZN | 2 | |
| 21 | 00250106 | Chain, Security Safety-61,000 Lb. | 1 | |
| 22 | S5C16000 | Washer, Flat, 1", SAE, Thru Hard, YZN | 38 | |
| 23 | S1C16072 | Bolt, Hex, 1"-8x9", Gr. 9, YZN | 3 | |
| 24 | S1B16056 | Bolt, Hex, 1"-8x7", Gr. 8, YZN | 1 | |
| 25 | S3D16000 | Nut, Nylock, 1"-8, Gr. 8, YZN | 4 | |
| 26 | 28141101 | Pin, 50x140 W/ Grease Hole | 2 | |
| 27 | 00370093 | ZERK, GREASE M8 X | 2 | |
| 28 | M3D12000 | Nut, Nylock, M12-1.75, DIN985, Cl. 10, YZN | 2 | |
| 29 | M1D12090 | Bolt, Socket, M12-1.75x90, DIN912, 12.9, ZN | 2 | |

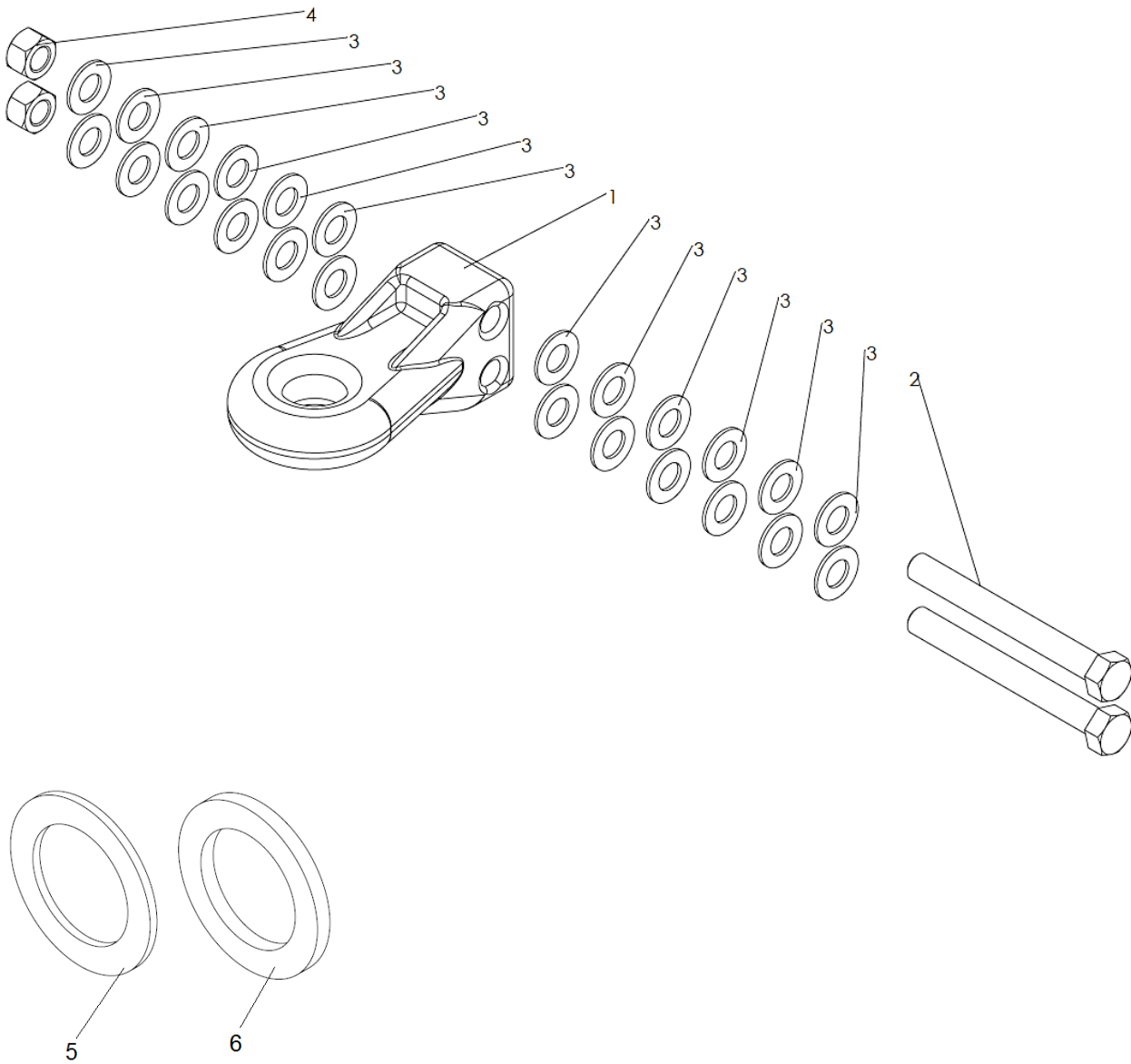
04596565 – Assembly, CAT IV/V 3-Hole Perfect Hitch w/ Hardware



04596565 – Assembly, CAT IV/V 3-Hole Perfect Hitch w/ Hardware

| Item | Part Number | Description | Qty. | Notes |
|------|-------------|---|------|-------------|
| 1 | 00500920 | Perfect Hitch, CAT V w/Insert - 3-Hole | 1 | |
| 2 | S1C16072 | Bolt, Hex HD - 1"-8 x 9" Gr. 9 YZN | 3 | |
| 3 | S5C16000 | Washer, Flat - 1" SAE Thru Hard YZN | 36 | |
| 4 | S3D16000 | Nut, Hex - Nylock, 1"-8 NC YZN | 3 | |
| 5 | 05499422 | Decal, CAT V Hitch | 1 | |
| 6 | 00500923 | Plate, ADJ CTD Perfect Hitch | 1 | |
| 7 | 00500922 | Bolt, Carriage - 5/8"-11 x 4" Perfect Hitch | 1 | |
| 8 | 00500921 | Spring, Compression - Perfect Hitch | 1 | |
| 9 | S5A10000 | Washer, Flat - 5/8" SAE | 1 | |
| 10 | S3C10000 | Nut, Hex - Nylock, 5/8"-11 UNC Gr. 5 | 1 | |
| 11 | 04649511 | Shim, Hitch – 1/1.5" x 0.075" | 3 | |
| 12 | 04649510 | Shim, Hitch – 1/1.5" x 0.134" | 3 | |
| * | - | - | 1 | See Item 1. |

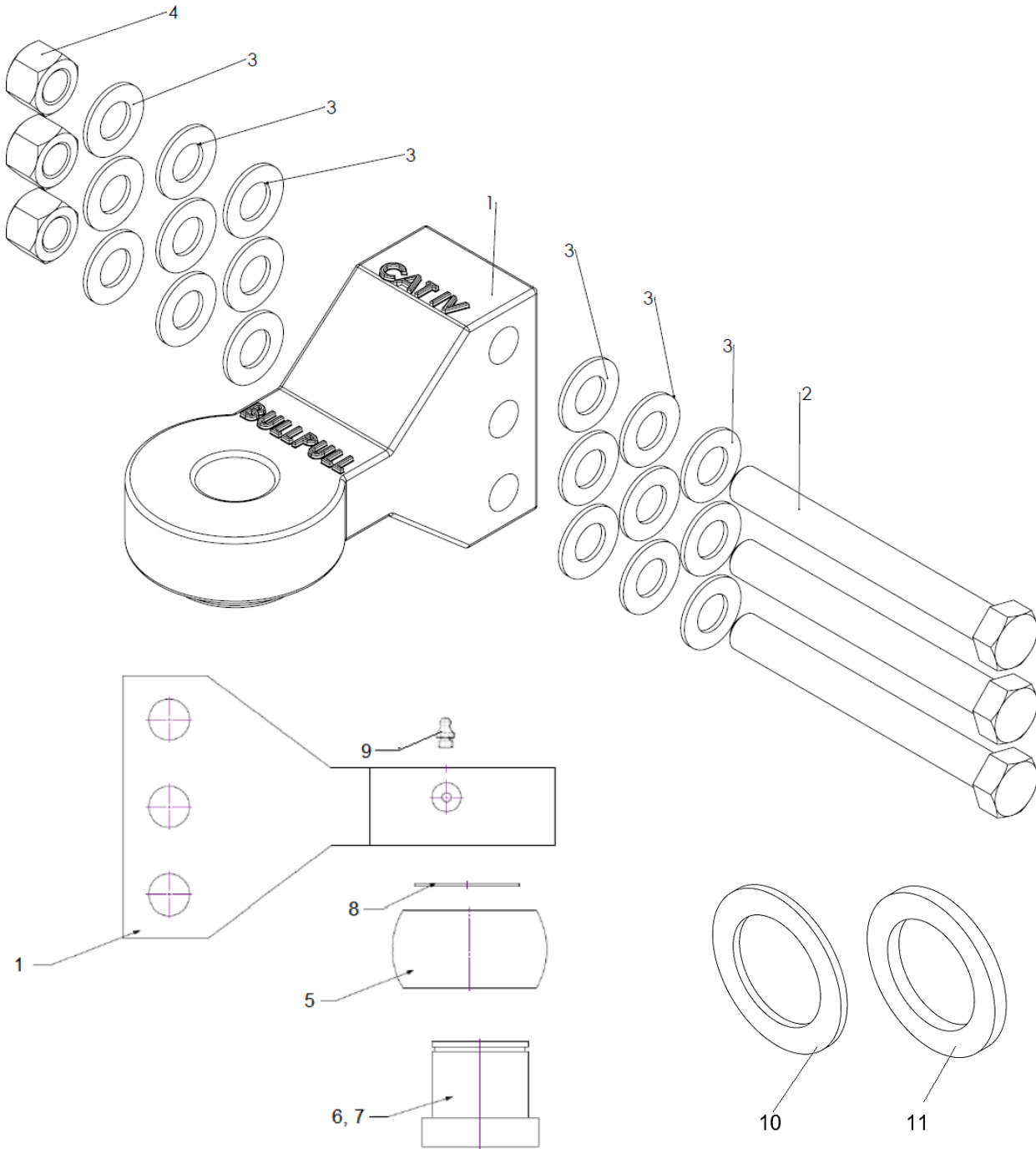
04596575 – Assembly, CAT IV 2-Hole Perfect Hitch w/ Hardware



04596575 – Assembly, CAT IV 2-Hole Perfect Hitch w/ Hardware

| Item | Part Number | Description | Qty. | Notes |
|-------------|--------------------|-------------------------------------|-------------|--------------|
| 1 | 00501041 | Perfect Hitch, CAT IV - 2-Hole, 2" | 1 | |
| 2 | S1C16072 | Bolt, Hex HD - 1"-8 x 9" Gr. 9 YZN | 2 | |
| 3 | S5C16000 | Washer, Flat - 1" SAE Thru Hard YZN | 24 | |
| 4 | S3D16000 | Nut, Hex - Nylock, 1"-8 NC YZN | 2 | |
| 5 | 04649511 | Shim, Hitch – 1/1.5" x 0.075" | 2 | |
| 6 | 04649510 | Shim, Hitch – 1/1.5" x 0.134" | 2 | |

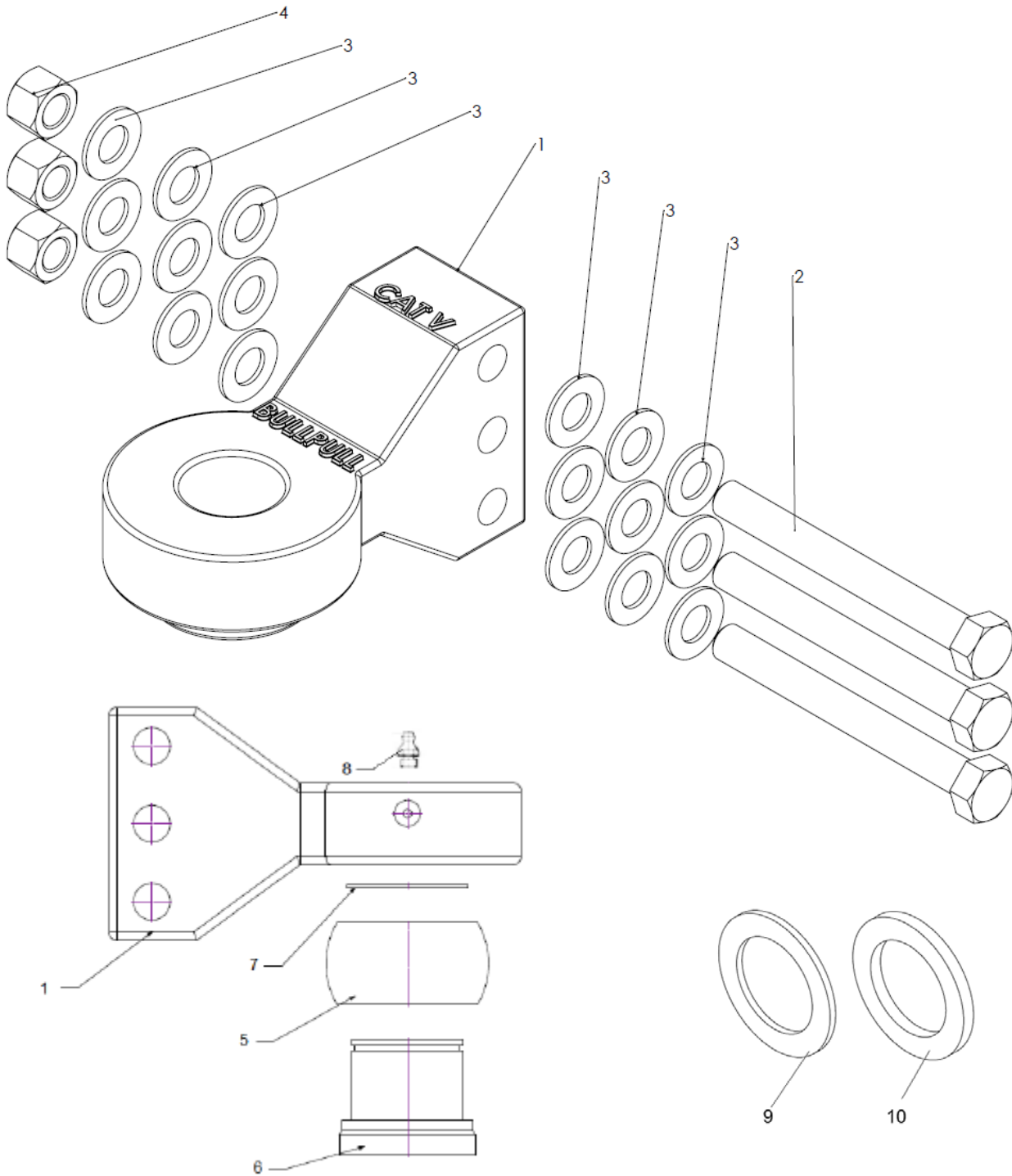
04596580 – Assembly, CAT IV Bull Pull Hitch w/ Hardware



04596580 – Assembly, CAT IV Bull Pull Hitch w/ Hardware

| Item | Part Number | Description | Qty. | Notes |
|------|-------------|-------------------------------------|------|-------|
| 1 | 04679505 | Bull Pull, CAT IV - 3-Hole | 1 | |
| 2 | S1C16072 | Bolt, Hex HD - 1"-8 x 9" Gr. 9 YZN | 3 | |
| 3 | S5C16000 | Washer, Flat - 1" SAE Thru Hard YZN | 18 | |
| 4 | S3E16000 | Nut, Hex - Toplock, 1"-8 Gr. C ZN | 3 | |
| 5 | 05950150 | Ball, CAT IV Bull Pull | 1 | |
| 6 | 05950151 | Insert, CAT IV Bull Pull - 1-1/2" | 1 | |
| 7 | 05950152 | Insert, CAT IV Bull Pull - 2" | 1 | |
| 8 | 05950153 | Snap Ring, CAT IV Bull Pull | 1 | |
| 9 | 00507175 | Zerk, Grease - Straight, 1/4"-28 | 2 | |
| 10 | 04649511 | Shim, Hitch – 1/1.5" x 0.075" | 3 | |
| 11 | 04649510 | Shim, Hitch – 1/1.5" x 0.134" | 3 | |

04596585 – Assembly, CAT V Bull Pull Hitch w/ Hardware



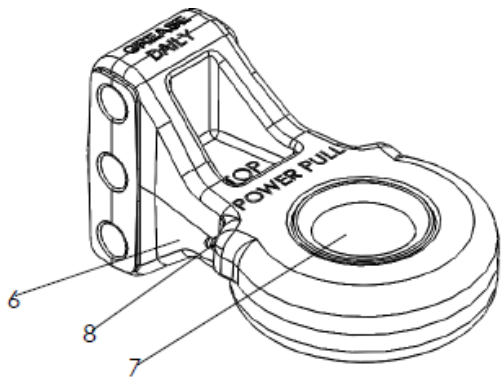
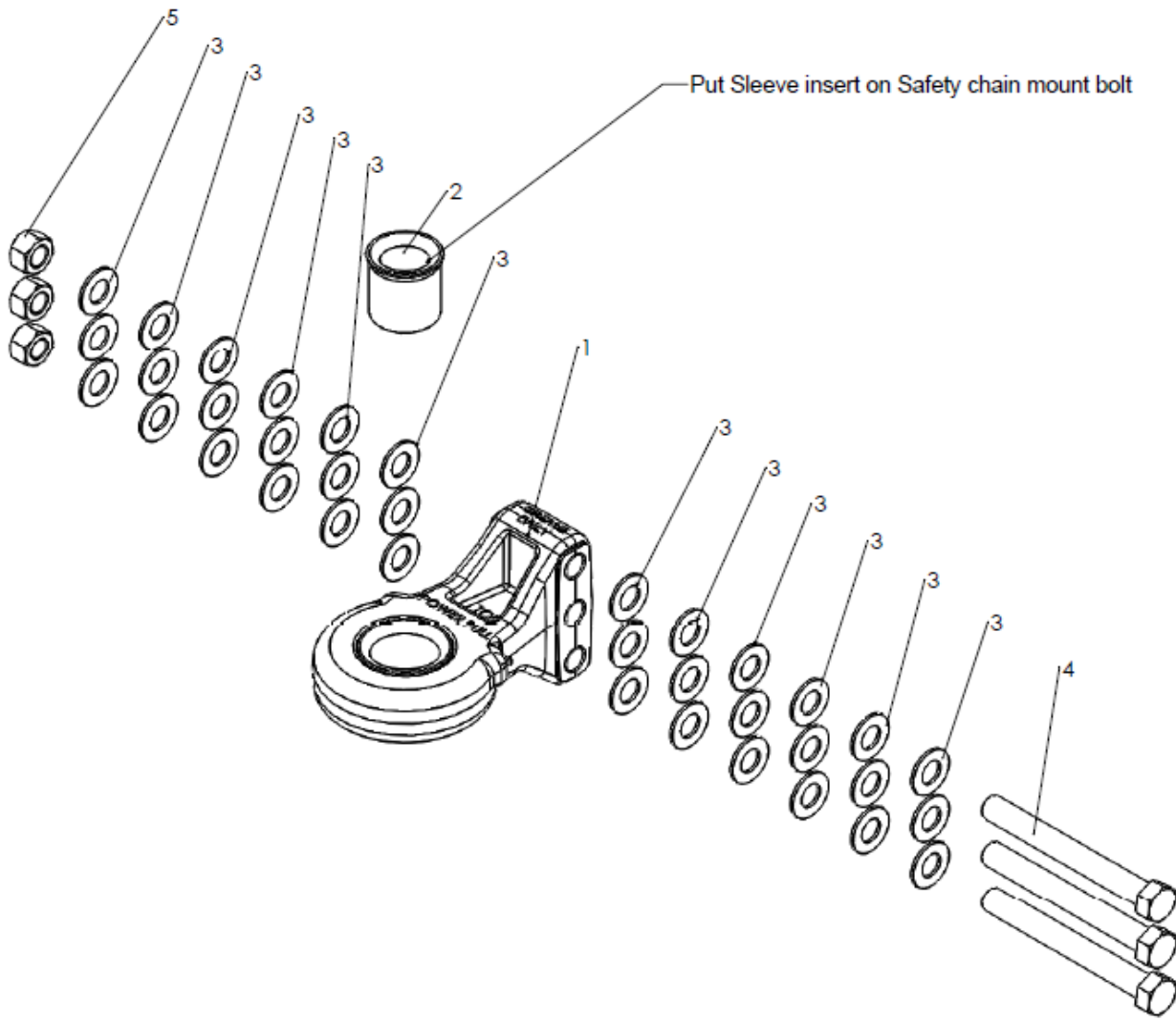
04596585 – Assembly, CAT V Bull Pull Hitch w/ Hardware

| Item | Part Number | Description | Qty. | Notes |
|------|-------------|-------------------------------------|------|-------|
| 1 | 04679504 | Bull Pull, CAT V - 3-Hole | 1 | |
| 2 | S1C16072 | Bolt, Hex HD - 1"-8 x 9" Gr. 9 YZN | 3 | |
| 3 | S5C16000 | Washer, Flat - 1" SAE Thru Hard YZN | 18 | |
| 4 | S3E16000 | Nut, Hex - Toplock, 1"-8 Gr. C ZN | 3 | |
| 5 | 05950155 | Ball, CAT V Bull Pull | 1 | |
| 6 | 05950156 | Insert, CAT V Bull Pull - 2-3/4" | 1 | |
| 7 | 05950157 | Snap Ring, CAT V Bull Pull | 1 | |
| 8 | 00507175 | Zerk, Grease - Straight, 1/4"-28 | 2 | |
| 9 | 04649511 | Shim, Hitch – 1/1.5" x 0.075" | 3 | |
| 10 | 04649510 | Shim, Hitch – 1/1.5" x 0.134" | 3 | |

04596595 – Hitch Assy, CAT III/IV, Articulating

| Item | Part Number | Description | Qty. | Notes |
|-------------|--------------------|---|-------------|--------------|
| 1 | 04234920 | Articulating Hitch, CAT IV Assembly | 1 | |
| 2 | 04234923 | Insert for Ball CAT IV to CAT III | 1 | |
| 3 | S5C16000 | Washer, Flat - 1" SAE Thru Hard YZN | 36 | |
| 4 | S1C16072 | Bolt, Hex – 1"-8x9", Gr.9 YZN | 3 | |
| 5 | S3D16000 | Nut, Nylock – 1"-8, Gr.8 YZN | 3 | |
| 6 | 04234921 | Articulating Hitch, CAT III/IV Casting | 1 | |
| 7 | 04234922 | Articulating Ball Insert, CAT IV, Small | 1 | |
| 8 | 00507175 | Zerk, Grease - Straight, 1/4"-28 | 2 | |

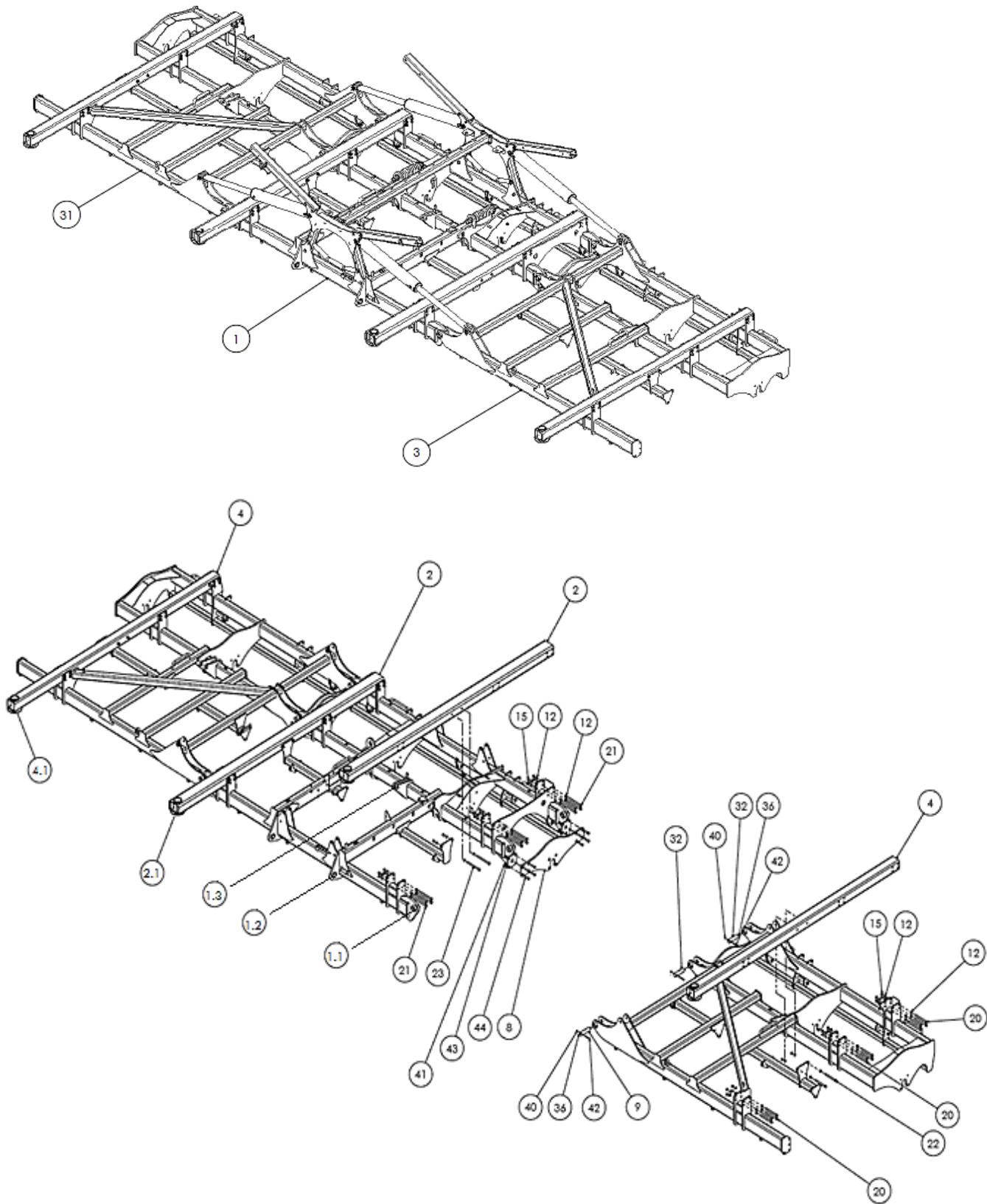
04596590 – Hitch Assy, CAT IV/V, Articulating

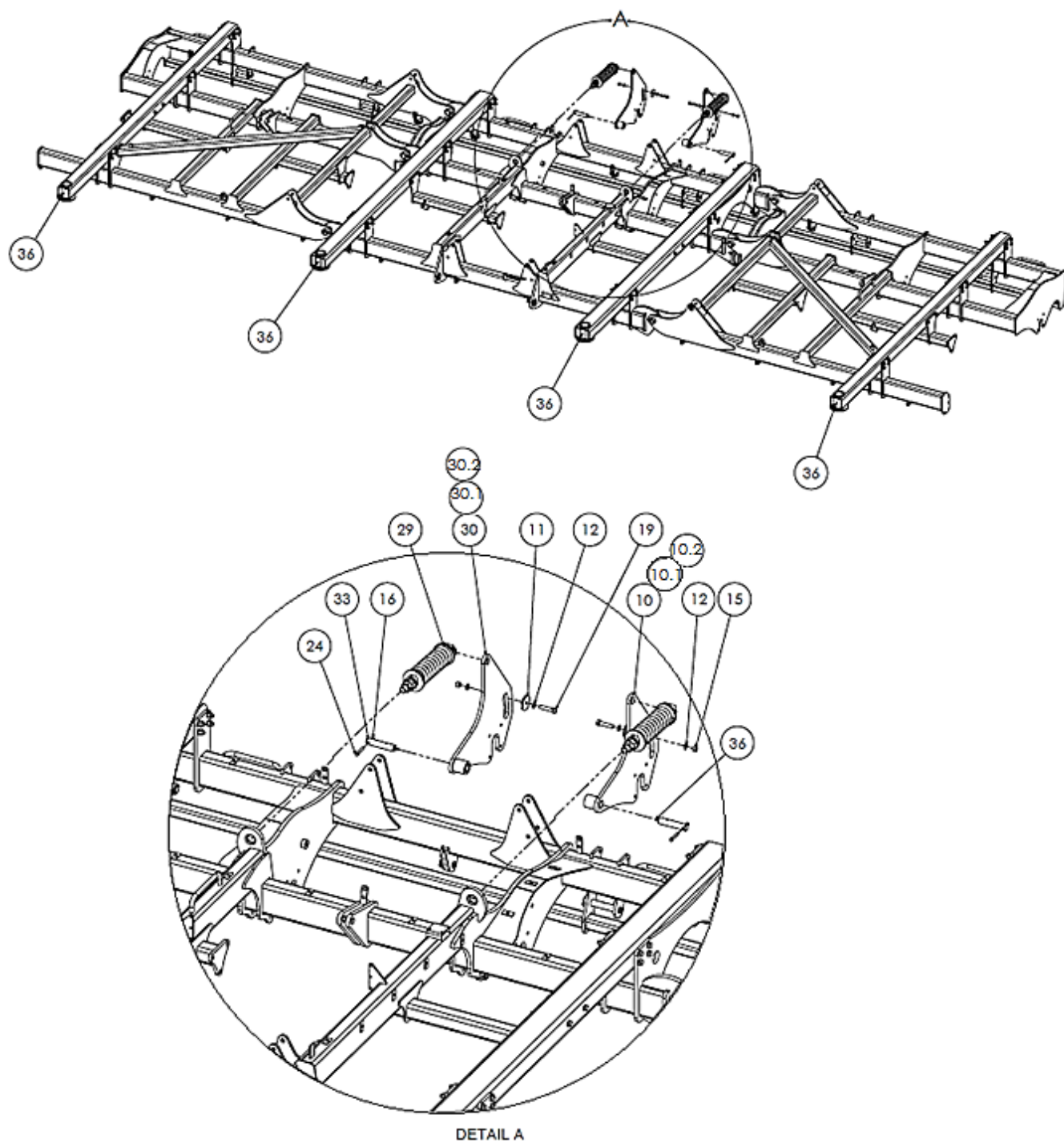


04596590 – Hitch Assy, CAT IV/V, Articulating

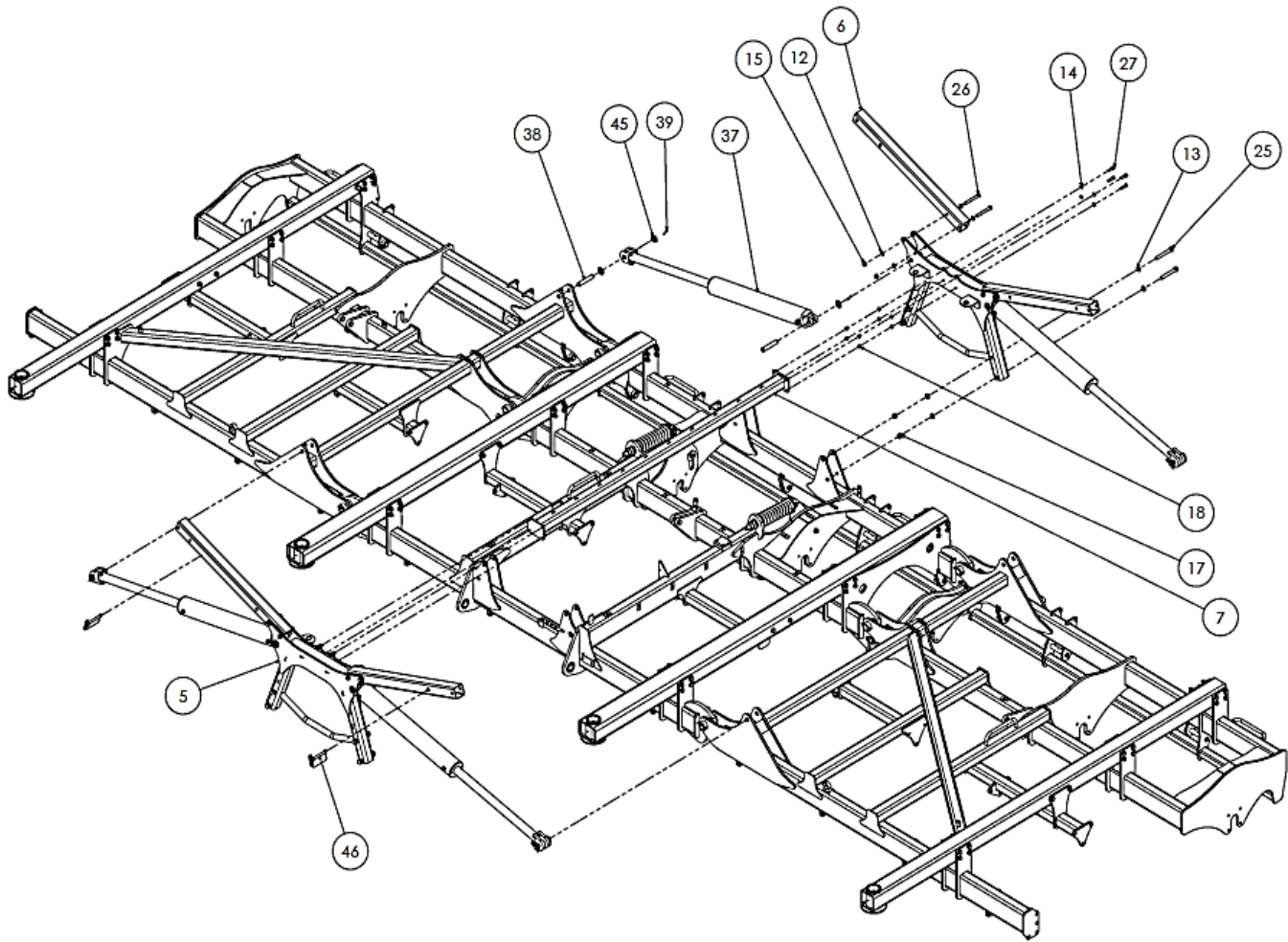
| Item | Part Number | Description | Qty. | Notes |
|-------------|--------------------|--------------------------------------|-------------|--------------|
| 1 | 04234910 | Articulating Hitch, CAT IV Assembly | 1 | |
| 2 | 04234914 | Insert for Ball CAT IV to CAT III | 1 | |
| 3 | S5C16000 | Washer, Flat - 1" SAE Thru Hard YZN | 36 | |
| 4 | S1C16072 | Bolt, Hex – 1"-8x9", Gr.9 YZN | 3 | |
| 5 | S3D16000 | Nut, Nylock – 1"-8, Gr.8 YZN | 3 | |
| 6 | 04234911 | Articulating Hitch, CAT IV/V Casting | 1 | |
| 7 | 04234912 | Articulating Ball Insert, CAT V | 1 | |
| 8 | 00507175 | Zerk, Grease - Straight, 1/4"-28 | 2 | |

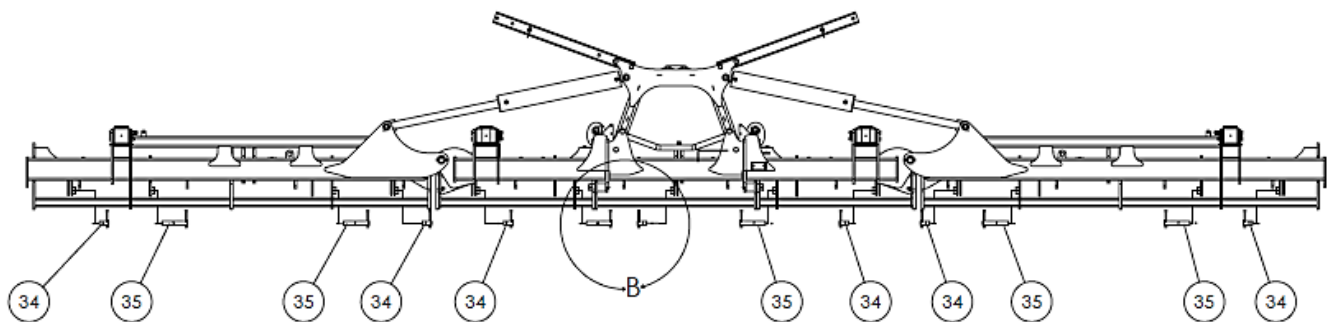
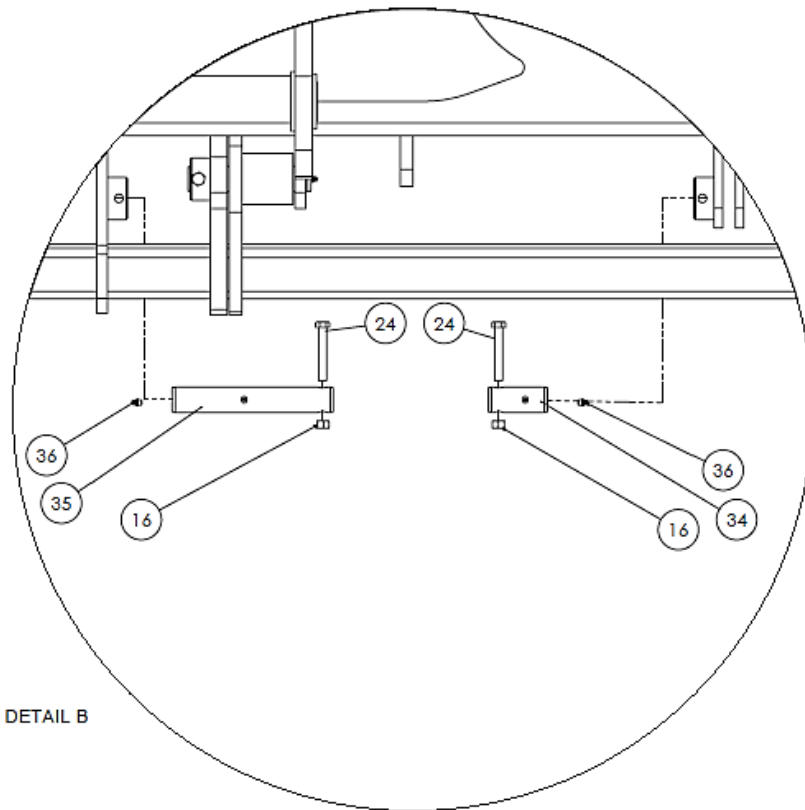
04335100 – Frame Assembly, Pronto 40 DC (Left Wing)



04335100 – Frame Assembly, Pronto 40 DC (Detail A)

04335100 – Frame Assembly, Pronto 40 DC (Main Frame)



04335100 – Frame Assembly, Pronto 40 DC (Detail B)

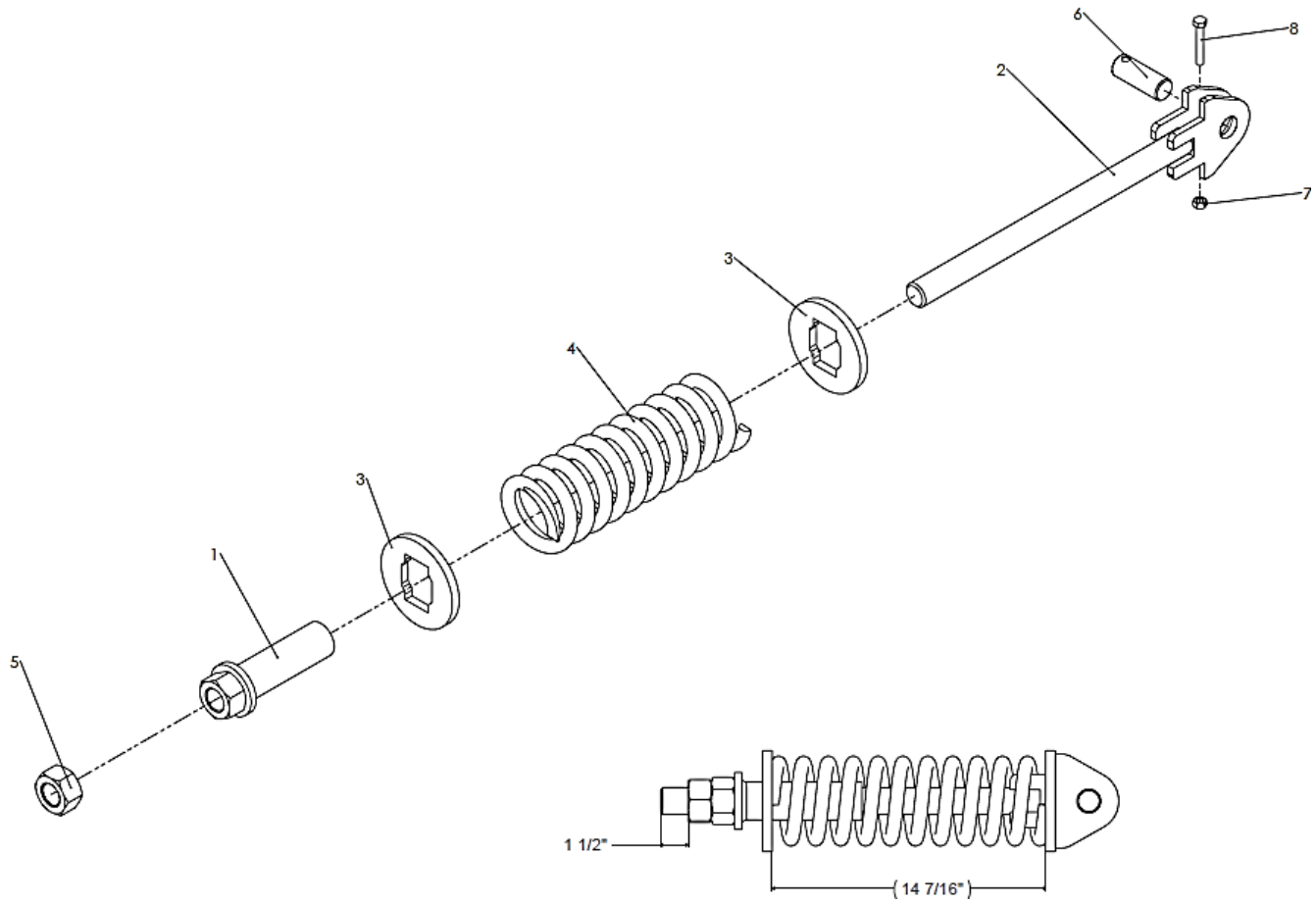
04335100 – Frame Assembly, Pronto 40 DC (Parts Listing)

| Item | Part Number | Description | Qty. | Notes |
|------|-------------|--|------|------------------------------|
| 1 | 04330100 | Main Frame Pronto DC 40 | 1 | |
| 1.1 | 04519018 | Bushing, Tension, 2.25"/2"-1" | 12 | |
| 1.2 | 00230020 | Bushing, 60/50-40 | 2 | |
| 1.3 | 00230083 | Bushing EG 40/32x25 | 2 | |
| 2 | 04330700 | Caster Mount Main | 2 | |
| 2.1 | 04159553 | Tension Bushing, 4" OD x 3.5" ID x 2" LG | 4 | |
| 3 | 04330200 | Left Wing Pronto DC 40 | 1 | |
| 3.1 | 00230083 | Bushing EG 40/32x25 | 2 | |
| 4 | 04330750 | Caster Arm Weldment Wing | 2 | |
| 4.1 | 04159553 | Tension Bushing, 4" OD x 3.5" ID x 2" LG | 2 | |
| 5 | 04330150 | Wing Fold Cylinder Mount | 2 | |
| 6 | 04330191 | Wing Stop Tube Main | 4 | |
| 7 | 04330600 | Front to Back Brace | 1 | |
| 8 | 04330190 | End Plate Packer | 2 | |
| 9 | 04330199 | Pin, 2" W/ Rotary Vane | 2 | |
| 10 | 04330800 | Center Packer Frame Left | 1 | |
| 10.1 | 04330803 | Bushing, Center Packer Frame Pivot | 1 | |
| 10.2 | 00230120 | Bushing EG 40/32 x 20 press fit | 1 | |
| 11 | 04333117 | Laser Washer, 3.5"/21mm--.375" | 2 | |
| 12 | M5A20000 | Washer, Flat, M20, DIN125, ZN | 132 | |
| 13 | M5A24000 | Washer, Flat, M24, DIN125, ZN | 16 | |
| 14 | M5A16000 | Washer, Flat, M16, DIN125, ZN | 16 | |
| 15 | M3C20000 | Nut, Nylock, M20-2.5, DIN985, Cl. 8, ZN | 66 | |
| 16 | M3C12000 | Nut, Nylock, M12-1.75, DIN985, Cl. 8, ZN | 15 | |
| 17 | M3C24000 | Nut, Nylock, M24-3.0, DIN985, Cl. 8, ZN | 8 | |
| 18 | M3C16000 | Nut, Nylock, M16-2.0, DIN985, Cl. 8, ZN | 8 | |
| 19 | M1A20090 | Bolt, Hex, M20-2.5x90, DIN931, 8.8, ZN | 2 | |
| 20 | M1A20220 | Bolt, Hex, M20-2.5x220, DIN931, 8.8, ZN | 24 | |
| 21 | M1A20280 | Bolt, Hex, M20-2.5x280, DIN931, 8.8, ZN | 24 | |
| 22 | M1A20200 | Bolt, Hex, M20-2.5x200, DIN931, 8.8, ZN | 4 | |
| 23 | M1A20250 | Bolt, Hex, M20-2.5x250, DIN931, 8.8, ZN | 4 | |
| 24 | M1A12080 | Bolt, Hex, M12-1.75x80, DIN931, 8.8, ZN | 15 | |
| 25 | M1A24170 | Bolt, Hex, M24-3.0x170, DIN931, 8.8, ZN | 8 | |
| 26 | M1A20160 | Bolt, Hex, M20-2.5x160, DIN931, 8.8, ZN | 8 | |
| 27 | M1G16060 | Bolt, Hex, M16-2.0x60, DIN933, 8.8, ZN | 8 | |
| 28 | 04333116 | Bushing, 2"/20.5mm--1" | 2 | |
| 29 | 04335402 | Packer Spring, Suspension | 2 | See 04335402 |
| 30 | 04330810 | Center Packer Frame Right | 1 | |
| 30.1 | 04111215 | Tension Bushing, 1.5"/2" x 1.75" | 2 | |
| 30.2 | 00230120 | Bushing EG 40/32 x 20 press fit | 1 | |
| 31 | 04330300 | Right Wing Pronto DC40 | 1 | |
| 32 | 04330197 | Pin, 2"x7.34, W/ Grease | 4 | |
| 33 | 04330196 | Pin, 1.5"x7.25, W/ Grease | 2 | |
| 34 | 04330195 | Pin, 1.5"x3.5", W/ Grease | 7 | |

04335100 – Frame Assembly, Pronto 40 DC (Parts Listing cont'd)

| Item | Part Number | Description | Qty. | Notes |
|------|-------------|--|------|-----------|
| 35 | 04330194 | Pin, 1.5"x9.5", W/ Grease | 6 | |
| 36 | 00370093 | ZERK, GREASE M8 X 1 | 25 | |
| 37 | 00130842 | CYLINDER. DZ 130-70-1000 | 4 | |
| 37.1 | 00130858 | Seal Kit, 130-70 | 1 | Not Shown |
| 38 | 35120704 | Pin, 32mm-172mm, 2Hole | 8 | |
| 39 | S6G04020 | Cotter Pin, 1/4" x 2.5", ZN | 16 | |
| 40 | M3D12000 | Nut, Nylock, M12-1.75, DIN985, Cl. 10, YZN | 6 | |
| 41 | M3D20000 | Nut, Nylock, M20-2.5, DIN985, CL10, YZN | 16 | |
| 42 | M1B12100 | Bolt, Hex, M12-1.75x100, DIN931, 10.9, YZN | 6 | |
| 43 | M5E20000 | Washer, Flat, M20, DIN125, HV200, YZN | 16 | |
| 44 | M1E20080 | Bolt, Counter, M20-2.5x80, DIN7991, 10.9, ZN | 16 | |
| 45 | S5A20000 | Washer, Flat, 1-1/4", SAE, ZN | 16 | |
| 46 | 02030133 | HITCH PIN 3/4" X 6-1/2" W LANYARD | 2 | |

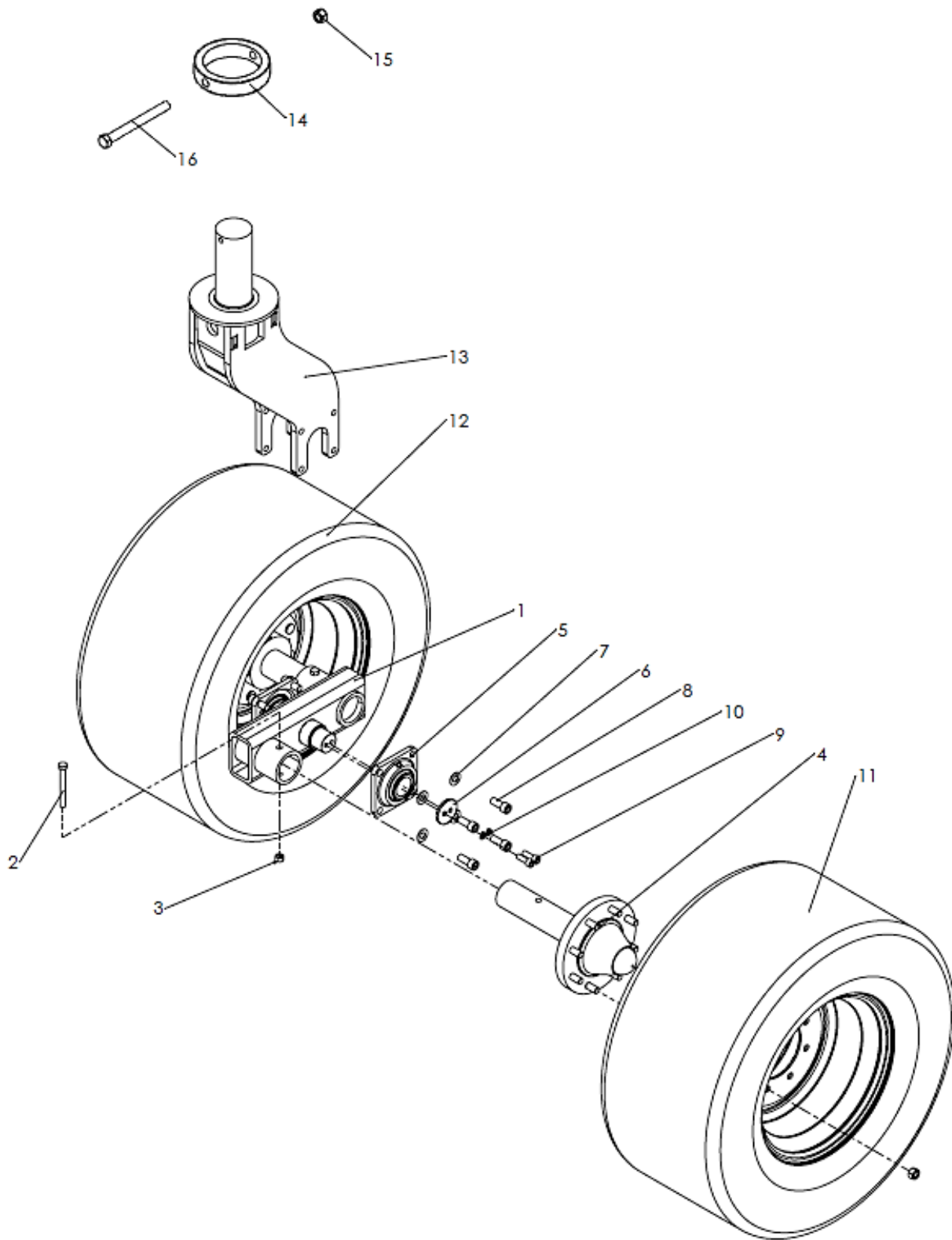
04335402 – Packer Spring Assembly, Suspension



04335402 – Packer Spring Assembly, Suspension

| Item | Part Number | Description | Qty. | Notes |
|------|-------------|---|------|-------|
| 1 | 04333100 | Inside Sleeve Weldment | 1 | |
| 2 | 04333110 | Packer Sup. Threaded Weldment | 1 | |
| 3 | 04333115 | Spring Cap | 2 | |
| 4 | 34063509 | SPRING, PACKER SUSPENSION | 1 | |
| 5 | M3A36000 | Nut, Hex, M36-4.0, DIN934, Cl. 8, ZN | 1 | |
| 6 | 34763202 | PIN, 32MM X 85MM | 1 | |
| 7 | M3C10000 | Nut, Nylock, M10-1.5, DIN985, Cl. 8, ZN | 1 | |
| 8 | M1A10065 | Bolt, Hex, M10-1.5x65, DIN931, 8.8, ZN | 1 | |

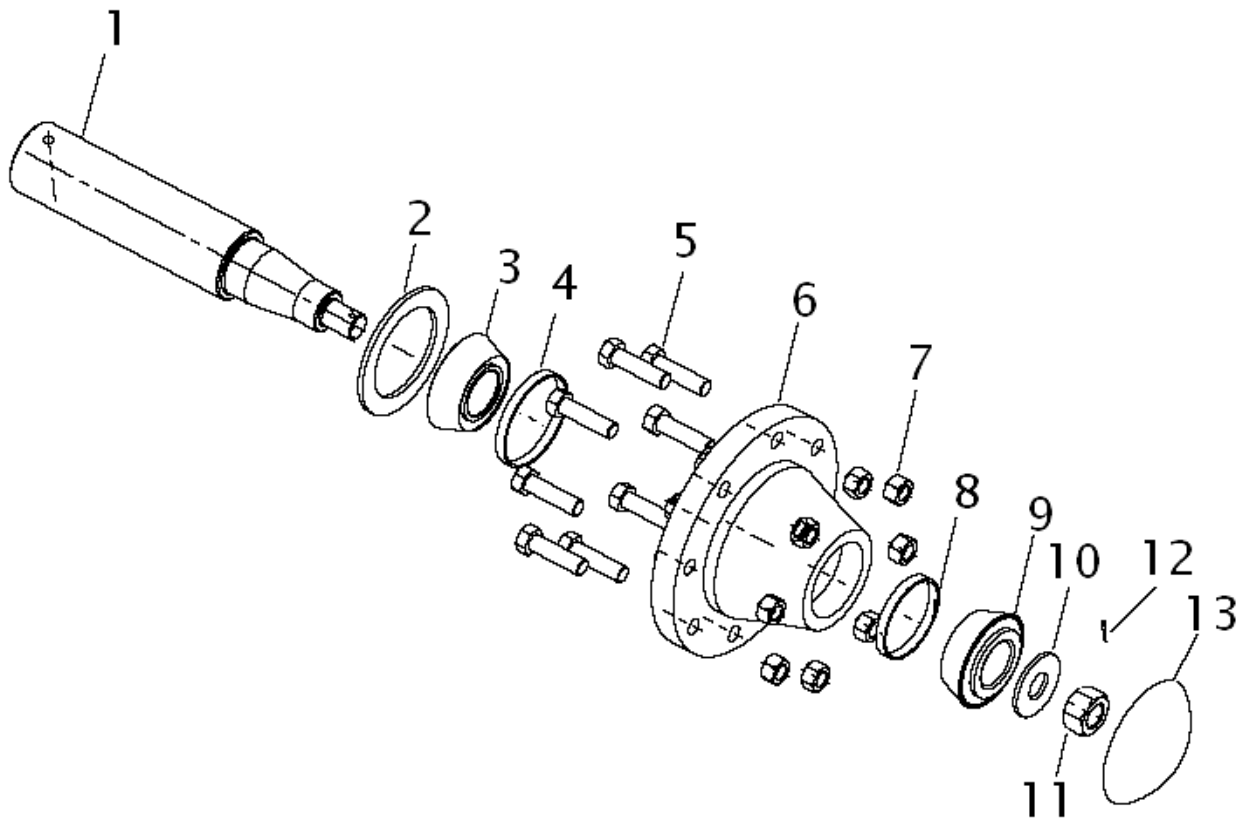
04335101 – Caster Axle Assembly, Pronto 40 DC



04335101 – Caster Axle Assembly, Pronto 40 DC

| Item | Part Number | Description | Qty. | Notes |
|------|-------------|---|------|------------------------------|
| 1 | 04511510 | Walking Beam | 1 | |
| 2 | 05901001 | BOLT, HEX HD 1/2"-13NC X 4-1/2" GR. 5 ZN | 2 | |
| 3 | S3C08000 | Nut, Nylock, 1/2"-13 Gr. 5 ZN | 2 | |
| 4 | 04101260 | ASSY, WALKING CASTER HUB & SPINDLE | 2 | See 04101260 |
| 5 | 00240177 | BEARING,& HOUSING 50MM GREASELESS | 2 | |
| 6 | 29150801 | SPACER, 50 OUTER - BEARING COVER | 2 | |
| 7 | S5A1000 | Washer, Flat, 5/8", SAE, ZN | 8 | |
| 8 | S2D10012 | Bolt, Socket, 5/8"-18x1.5", Alloy, ZN | 8 | |
| 9 | M1D12035 | Bolt, Socket, M12-1.75x35, DIN912, 12.9, ZN | 4 | |
| 10 | M5F12000 | Washer, Lock, M12, DIN127, ZN | 4 | |
| 11 | 00501021 | ASSY, CASTER, TIRE/WHEEL LEFT-FIRESTONE | 1 | Source Tire Locally |
| 11.1 | 00501024 | Rim, Front Caster, 16.5x12 | 1 | |
| 12 | 00501022 | ASSY, CASTER TIRE/WHEEL RIGHT-FIRESTONE | 1 | Source Tire Locally |
| 12.1 | 00501024 | Rim, Front Caster, 16.5x12 | 1 | |
| 13 | 04152400 | Caster Axle, Sprinter | 1 | |
| 14 | 04101306 | Axle Locking Collar | 1 | |
| 15 | M3C12000 | Nut, Nylock, M12-1.75, DIN985, Cl.8, ZN | 1 | |
| 16 | M1A12130 | Bolt, Hex, M12-1.75x130, DIN931, 8.8, ZN | 1 | |

04101260 – Assembly, Walking Caster Hub & Spindle



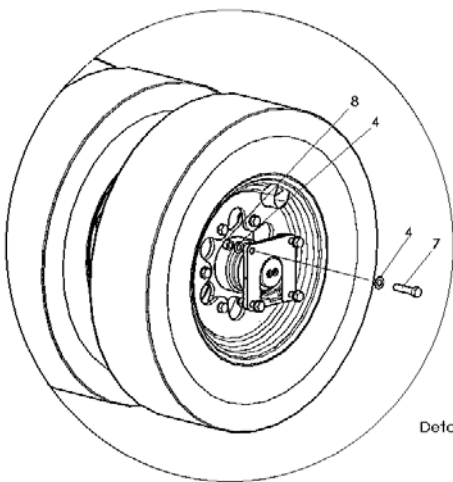
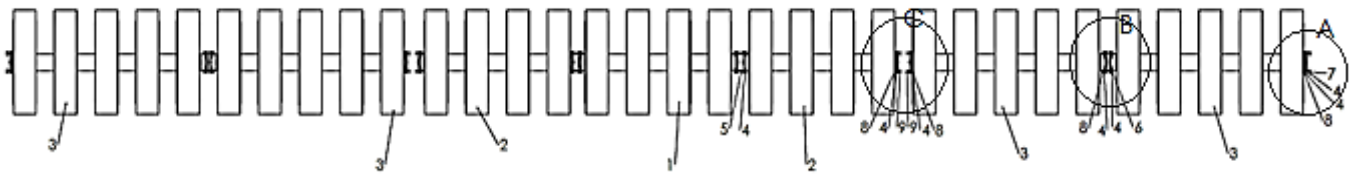
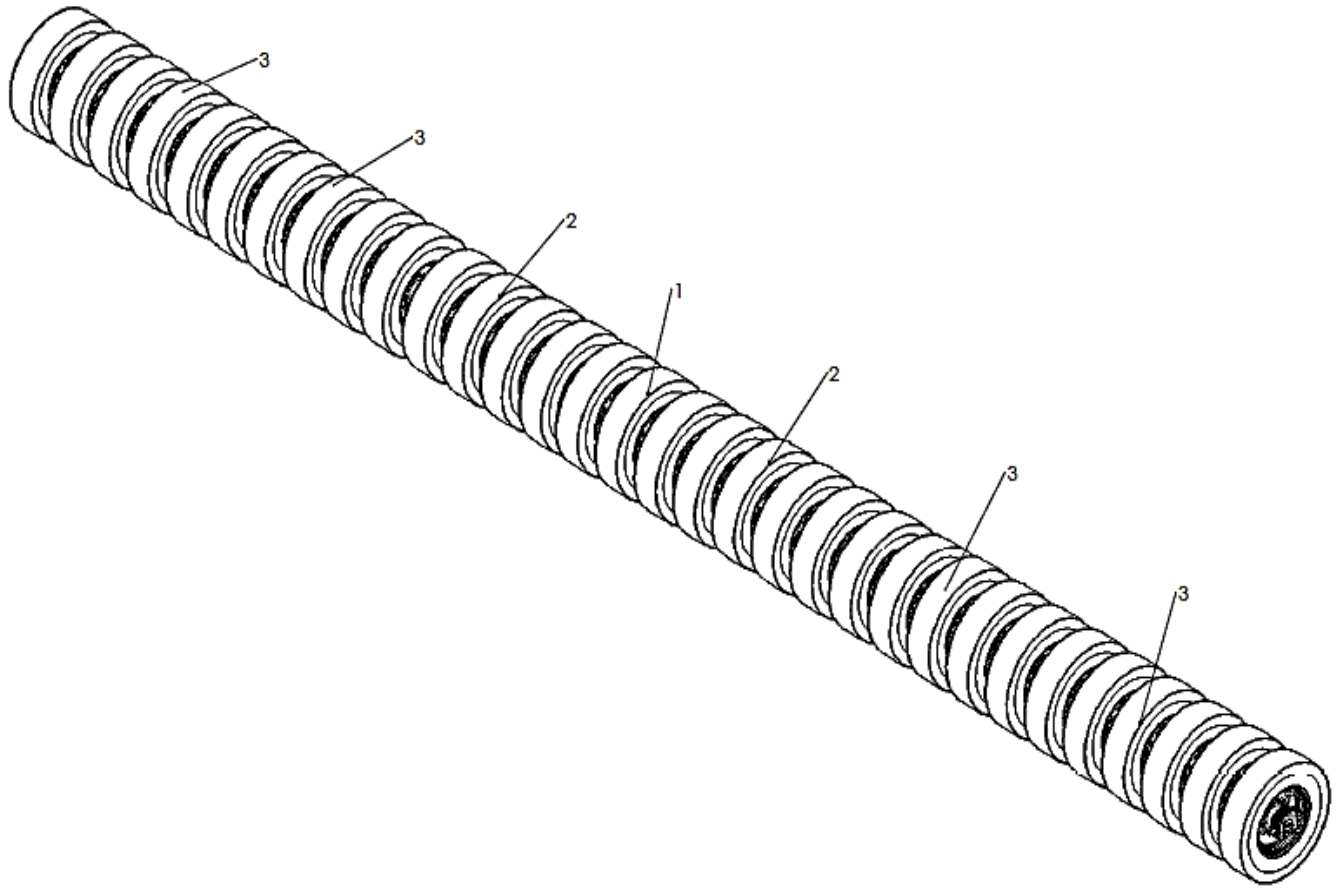
04101260 – Assembly, Walking Caster Hub & Spindle

| Item | Part Number | Description | Qty. | Notes |
|------|-------------|------------------------------------|------|-------|
| 1 | 04101264 | Spindle Caster | 1 | |
| 2 | 05201007 | Seal, Double Lip - Caster Hubs | 1 | |
| 3 | 05201006 | Cone - LM506849 - Bearing - Caster | 1 | |
| 4 | 05201009 | Cup for Hubs - LM506810 | 1 | |
| 5 | 05201008 | Bolt, Stud - 5/8"-18 | 8 | |
| 6 | 00501049 | Hub Casting, Caster, 8 - Bolt | 1 | |
| 7 | 00501184 | Nut, Lug - 5/8" - 18 | 8 | |
| 8 | 05225022 | Cup, Inner - Tandem Hubs | 1 | |
| 9 | 05225026 | Cone - LM501349 - Bearing | 1 | |
| 10 | 00501005 | Washer, Caster Spindle | 1 | |
| 11 | 00501006 | Spindle Nut, Caster | 1 | |
| 12 | 00501007 | Cotter Pin, Spindle, Caster | 1 | |
| 13 | 05201005 | Hub Cap - Caster Hubs | 1 | |

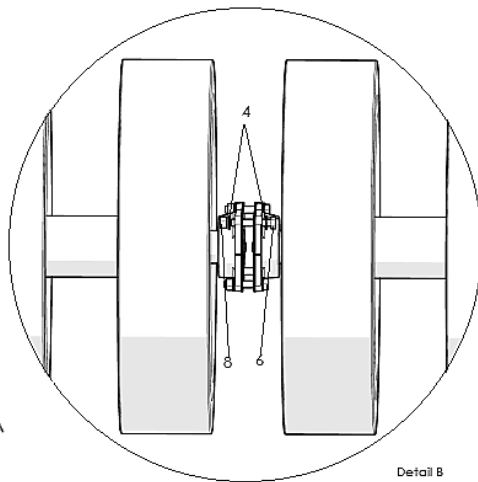
Notes:

Section 2 – Packer System

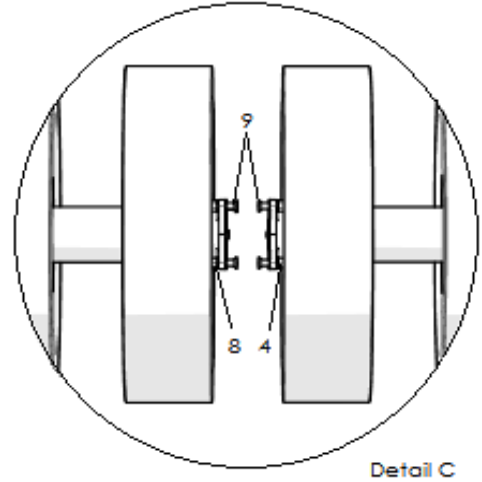
04335400 – Packer Assembly, Pronto 40 DC



Detail A



Detail B

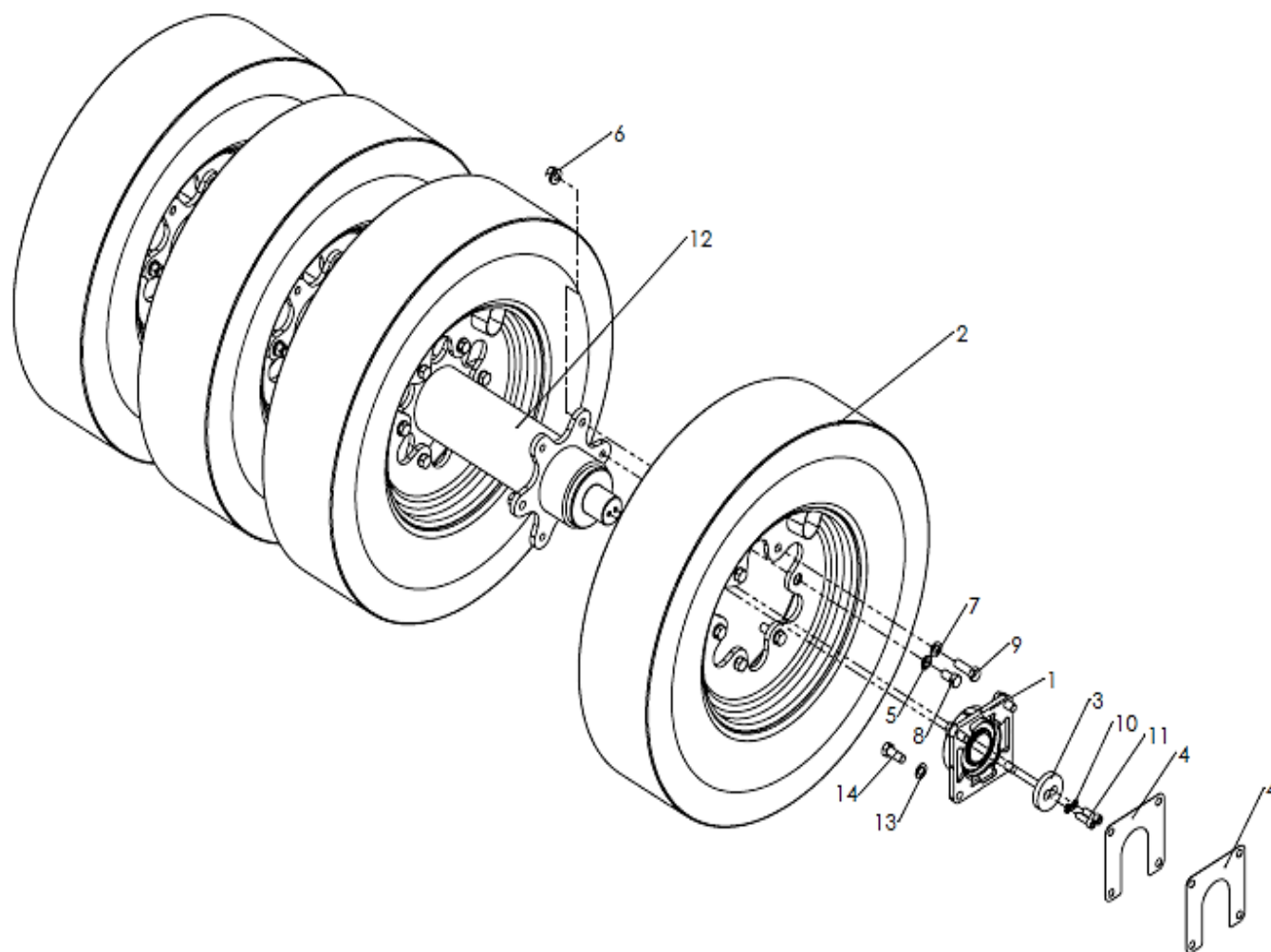


Detail C

04335400 – Packer Assembly, Pronto 40 DC

| Item | Part Number | Description | Qty. | Notes |
|------|-------------|--|------|------------------------------|
| 1 | - | Packer Assy, Main Center | 1 | See 04335411 |
| 2 | - | Packer Assy, Main Outer | 2 | See 04335410 |
| 3 | - | Packer Assy, Wing Inner | 4 | See 04335412 |
| 4 | M5A16000 | Washer, Flat, M16, DIN125, ZN | 56 | |
| 5 | M1A16045 | Bolt, Hex, M16-2.0x45, DIN933, 8.8, ZN | 8 | |
| 6 | M1A16090 | Bolt, Hex, M16-2.0x90, DIN931, 8.8, ZN | 8 | |
| 7 | M1A16070 | Bolt, Hex, M16-2.0x70, DIN931, 8.8, ZN | 8 | |
| 8 | M3C16000 | Nut, Nylock, M16-2.0, DIN985, Cl. 8, ZN | 32 | |
| 9 | M1E16070 | Bolt, Counter, M16-2.0x70, DIN7991, 10.9, ZN | 16 | |

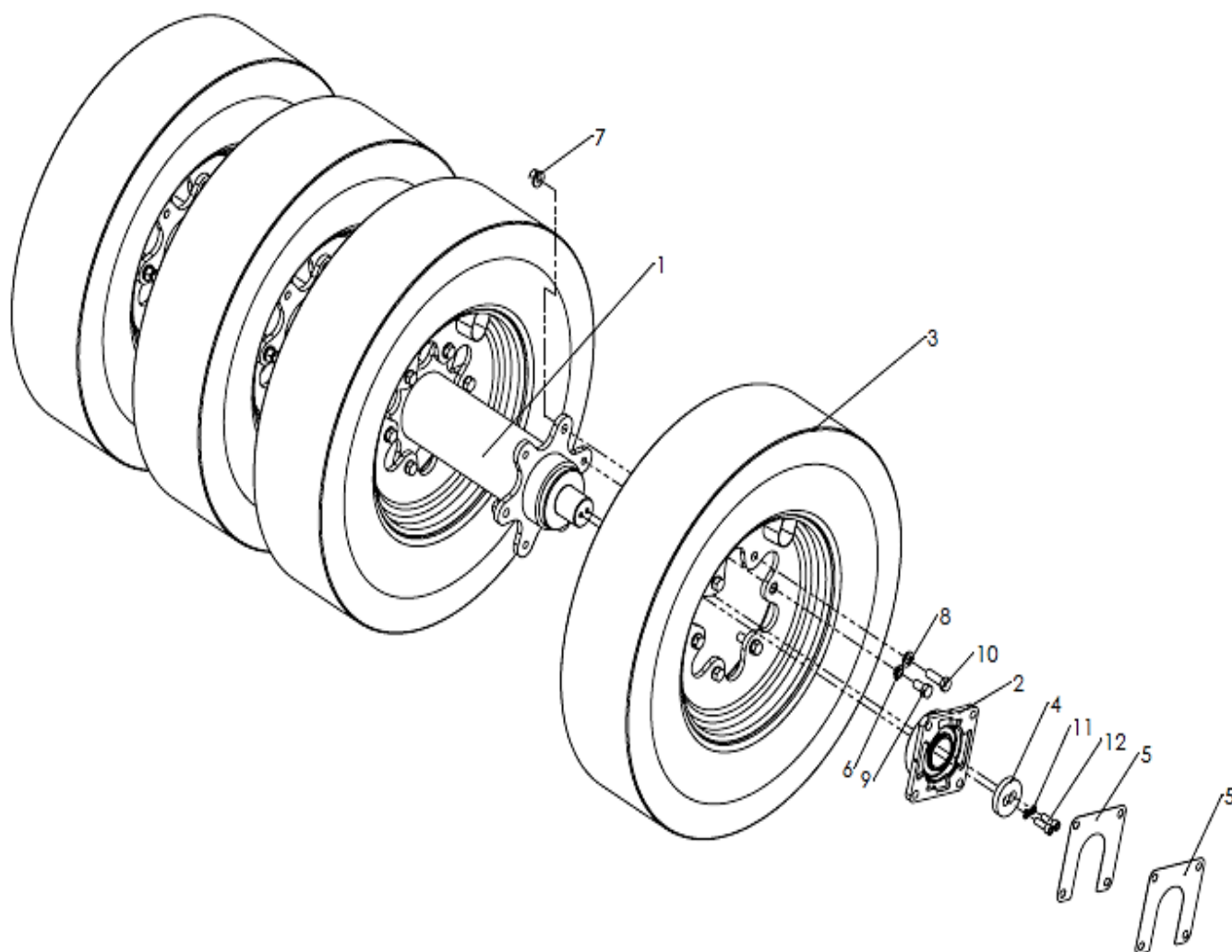
04335411 – Packer Assembly, Main Center



04335411 – Packer Assembly, Main Center

| Item | Part Number | Description | Qty. | Notes |
|------|-------------|--|------|-------|
| 1 | 00240231 | BEARING, UCFC 212 HRSCH 60MM 4 BOLT | 2 | |
| 2 | 00330375 | Tire & Wheel, 7.50-18, TS08 HD | 4 | |
| 2.1 | 00330377 | Wheel, 7.50-18 Star | 4 | |
| 2.2 | 00330376 | Tire, 7.50-18, AS-profile, HORSCH TS-08HD | 4 | |
| 2.3 | 00330380 | Inner Tube, 7.50-18 HORSCH TR15 | 4 | |
| 3 | 04330599 | Packer Bearing Cap | 2 | |
| 4 | 04330598 | Bearing Shim .060", 143mmSQ | 4 | |
| 5 | 00370307 | M16 Coned/Split Washer, Geom | 12 | |
| 6 | 00310018 | Nut, M16-1.5, 12.9, GEOM 321A | 12 | |
| 7 | 00370567 | Washer, M16, 300HV, DIN125, YZN | 12 | |
| 8 | M1A16030 | Bolt, Hex, M16-2.0x30, DIN933, 8.8, ZN | 12 | |
| 9 | M2B16050 | Bolt, Hex, M16-1.5x50, DIN960, 12.9, GEO321L | 12 | |
| 10 | M5G12000 | Washer, Lock, M12, DIN7980, ZN | 4 | |
| 11 | M1D12035 | Bolt, Socket, M12-1.75x35, DIN912, 12.9, ZN | 4 | |
| 12 | 04330510 | Packer Weldment Center | 1 | |
| 13 | M5A16000 | Washer, Flat, M16, DIN125, ZN | 8 | |
| 14 | M1A16040 | Bolt, Hex, M16-2.0x40, DIN933, 8.8, ZN | 8 | |

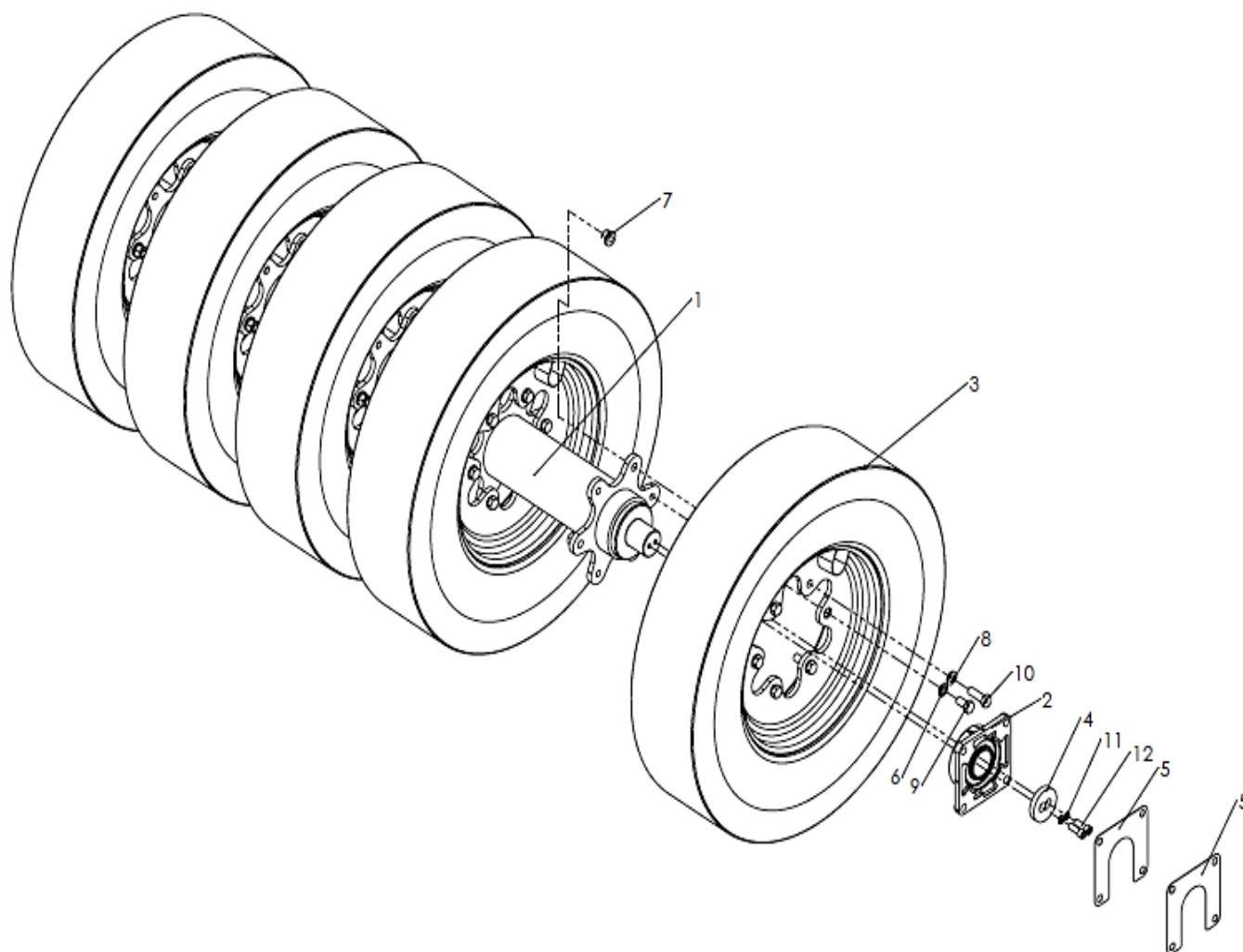
04335410 – Packer Assembly, Main Outer



04335410 – Packer Assembly, Main Outer

| Item | Part Number | Description | Qty. | Notes |
|------|-------------|--|------|-------|
| 1 | 04330500 | Packer Weldment Center Outer | 1 | |
| 2 | 00240231 | BEARING, UCFE 212 HRSCH 60MM 4 BOLT | 2 | |
| 3 | 00330375 | Tire & Wheel, 7.50-18, TS08 HD | 4 | |
| 3.1 | 00330377 | Wheel, 7.50-18 Star | 4 | |
| 3.2 | 00330376 | Tire, 7.50-18, AS-profile, HORSCH TS-08HD | 4 | |
| 3.3 | 00330380 | Inner Tube, 7.50-18 HORSCH TR15 | 4 | |
| 4 | 04330599 | Packer Bearing Cap | 2 | |
| 5 | 04330598 | Bearing Shim .060", 143mmSQ | 4 | |
| 6 | 00370307 | M16 Coned/Split Washer, Geom | 12 | |
| 7 | 00310018 | Nut, M16-1.5, 12.9, GEOM 321A | 12 | |
| 8 | 00370567 | Washer, M16, 300HV, DIN125, YZN | 12 | |
| 9 | M1A16030 | Bolt, Hex, M16-2.0x30, DIN933, 8.8, ZN | 12 | |
| 10 | M2B16050 | Bolt, Hex, M16-1.5x50, DIN960, 12.9, GEO321L | 12 | |
| 11 | M5G12000 | Washer, Lock, M12, DIN7980, ZN | 4 | |
| 12 | M1D12035 | Bolt, Socket, M12-1.75x35, DIN912, 12.9, ZN | 4 | |

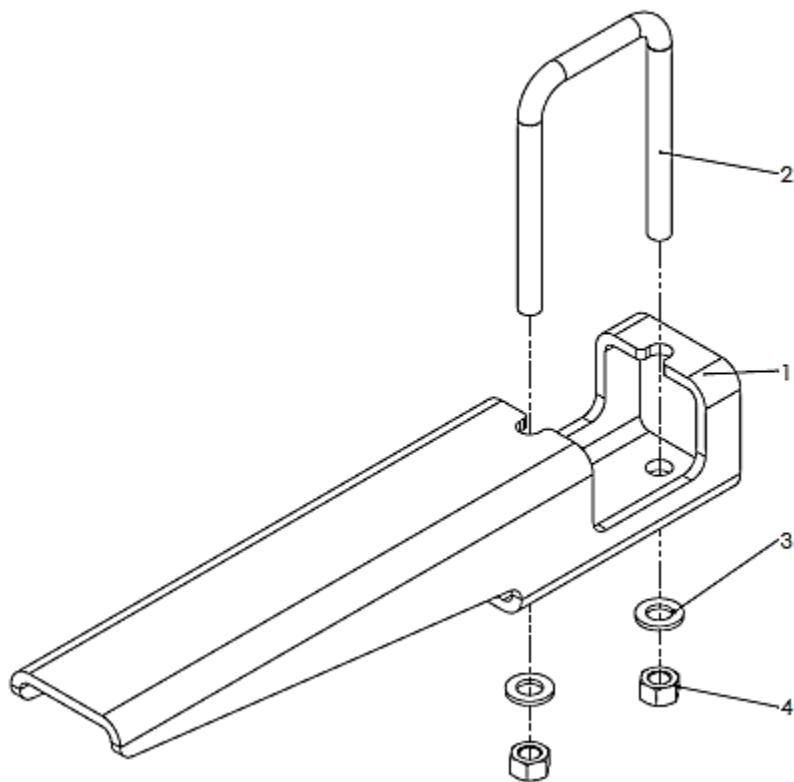
04335412 – Packer Assembly, Wing Inner



04335412 – Packer Assembly, Wing Inner

| Item | Part Number | Description | Qty. | Notes |
|------|-------------|---|------|-------|
| 1 | 04330520 | Packer Weldment Wing | 1 | |
| 2 | 00240231 | BEARING, UCFE 212 HRSCH 60MM 4 BOLT | 2 | |
| 3 | 00330375 | Tire & Wheel, 7.50-18, TS08 HD | 5 | |
| 3.1 | 00330377 | Wheel, 7.50-18 Star | 5 | |
| 3.2 | 00330376 | Tire, 7.50-18, AS-profile, HORSCH TS-08HD | 5 | |
| 3.3 | 00330380 | Inner Tube, 7.50-18 HORSCH TR15 | 5 | |
| 4 | 04330599 | Packer Bearing Cap | 2 | |
| 5 | 04330598 | Bearing Shim .060", 143mmSQ | 4 | |
| 6 | 00370307 | M16 Coned/Split Washer, Geom | 15 | |
| 7 | 00310018 | Nut, M16-1.5, 12.9, GEOM 321A | 15 | |
| 8 | 00370567 | Washer, M16, 300HV, DIN125, YZN | 15 | |
| 9 | M1A16030 | Bolt, Hex, M16-2.0x30, DIN933, 8.8, ZN | 15 | |
| 10 | M2B16050 | Bolt,Hex,M16-1.5x50,DIN960,12.9,GEO321L | 15 | |
| 11 | M5G12000 | Washer, Lock, M12, DIN7980, ZN | 4 | |
| 12 | M1D12035 | Bolt, Socket, M12-1.75x35, DIN912, 12.9, ZN | 4 | |

04335401 – Packer Scraper Assembly



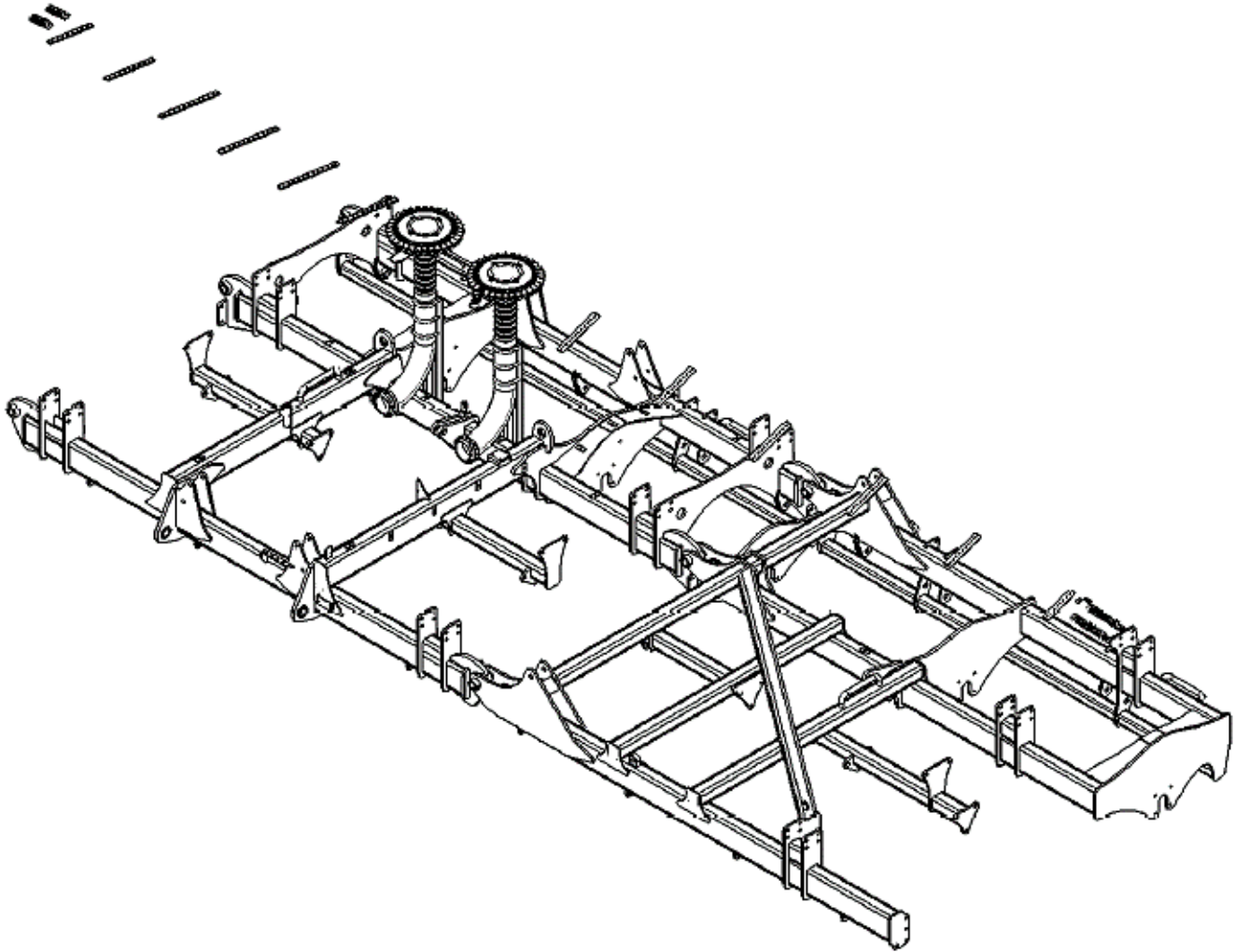
04335401 – Packer Scraper Assembly

| Item | Part Number | Description | Qty. | Notes |
|-------------|--------------------|--|-------------|--------------|
| 1 | 04330498 | Scraper Pronto DC | 1 | |
| 2 | 04330497 | U-Bolt, M12-1.75 x 3" x 5", 8.8, ZN | 1 | |
| 3 | M5A12000 | Washer, Flat, M12, DIN125, ZN | 2 | |
| 4 | M3C12000 | Nut, Nylock, M12-1.75, DIN985, Cl. 8, ZN | 2 | |

Notes:

Section 3 – Air System/Pneumatics

04335800 – Single Shoot Air System, Pronto 40 DC

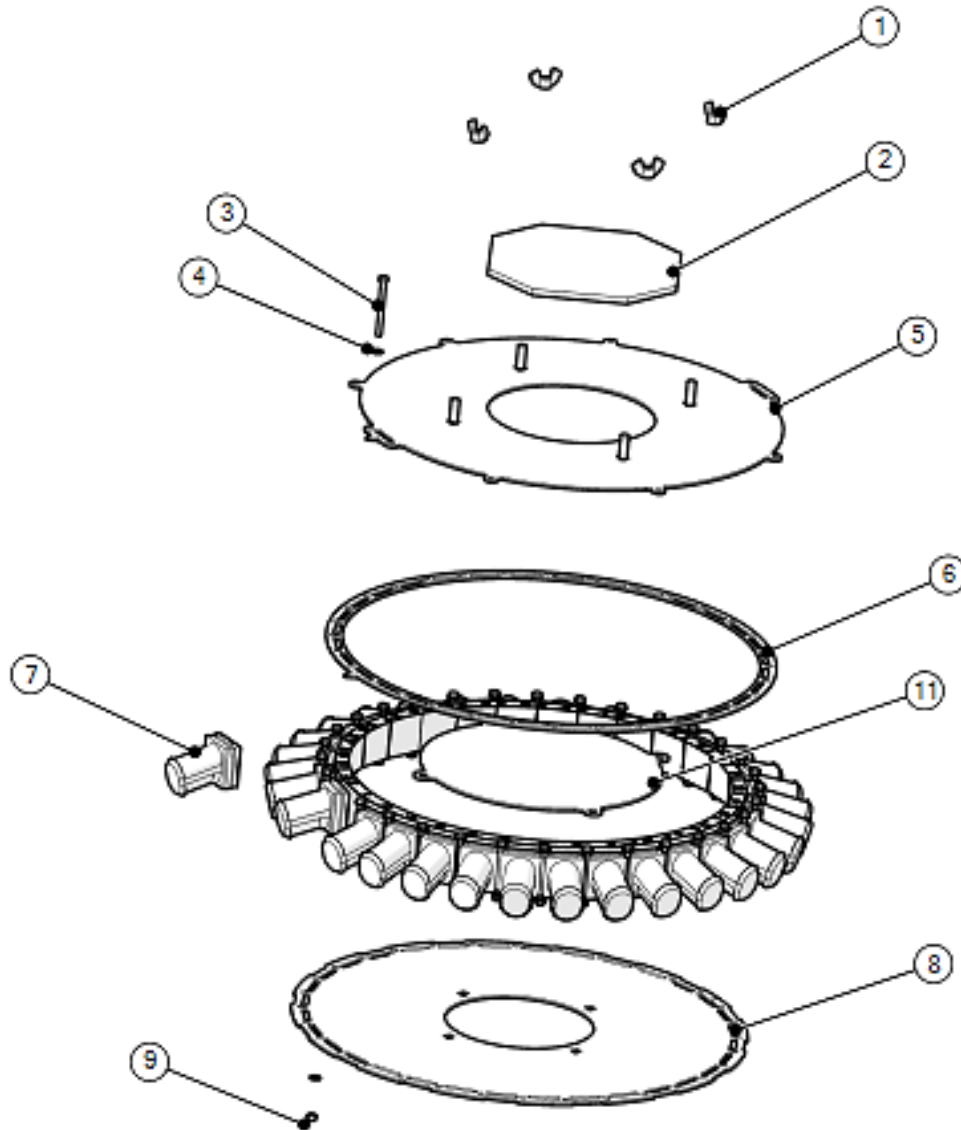


**Exploded views not available at this time.*

04335800 – Single Shoot Air System, Pronto 40 DC

| Item | Part Number | Description | Qty. | Notes |
|------|-------------|--|-------|------------------------------|
| 1 | 00500200 | 32 Run Stainless Manifold | 2 | See 00500200 |
| 2 | 04151520 | Cable Holder Sprinter, Wide | 2 | |
| 3 | 01557500 | MANIFOLD TUBE "H" 140-1180 | 2 | |
| 4 | 04330613 | Main Tower Mount | 2 | |
| 5 | 04330612 | U-Bolt, M10-1.5, 8.8, ZN, 3" R | 6 | |
| 6 | 04153005 | U-Bolt, Round 1/4-20 x .875" lg x .75" CL | 32 | |
| 7 | 04153003 | Hose Bracket 15" | 2 | |
| 8 | 04153009 | Hose Bracket, 18" | 8 | |
| 9 | 04153004 | Hose Bracket 13.5" | 2 | |
| 10 | 00170204 | SPRING, TENSION 262MM X 38MM X 6MM | 4 | |
| 11 | S5A04000 | Washer, Flat, 1/4", SAE, ZN | 64 | |
| 12 | S3C04000 | Nut, Nylock, 1/4"-20, Gr. 5, ZN | 64 | |
| 13 | M5A16000 | Washer, Flat, M16, DIN125, ZN | 8 | |
| 14 | M5A10000 | Washer, Flat, M10, DIN125, ZN | 12 | |
| 15 | M5A08000 | Washer, Flat, M8, DIN125, ZN | 4 | |
| 16 | M1A16030 | Bolt, Hex, M16-2.0x30, DIN933, 8.8, ZN | 8 | |
| 17 | M1A08025 | Bolt, Hex, M8-1.25x25, DIN933, 8.8, ZN | 2 | |
| 18 | M3C10000 | Nut, Nylock, M10-1.5, DIN985, Cl. 8, ZN | 12 | |
| 19 | M3C08000 | Nut, Nylock, M8-1.25, DIN985, Cl. 8, ZN | 2 | |
| 20 | M5J08000 | Washer, Flat, M8, DIN125, A2, SS | 8 | |
| 21 | M5M08000 | Washer, Lock, M8, DIN127, A2, SS | 8 | |
| 22 | M3R08000 | Nut, Hex, M8-1.25, DIN985, A2, SS | 8 | |
| 23 | M1U08030 | BOLT, CARRIAGE, M8-1.25X30, DIN603, A2, SS | 8 | |
| 24 | 04330614 | Cross Brace Tower | 1 | |
| 25 | 00190189 | ADAPTER SLEEVE FOR MANIFOLD | 128 | |
| 26 | 04159546 | Wire Rope Clip 5/16" Drop Forged | 4 | |
| 27 | 04159547 | Thimble, 5/16" Wire Rope | 8 | |
| 28 | 00506170 | Chain Clip 3/16" | 4 | |
| 29 | 05311015 | Decal, Manifold Yellow 32-64 | 1 | |
| 30 | 00506270 | Hose, Seed, Black, 1-1/4" | 1100' | |
| 31 | 00509755 | Tie Strap, 15" HD | 300 | |
| 32 | 05499907 | Hose Clamp, 5.5" Hose, Heavy | 2 | |
| 33 | 05003010 | Hose, Seed, Lined, 5-1/2" | 40' | |
| 34 | 00210237 | PLASTIC CLIP SIZE R (37-41) BLACK | 128 | |
| 35 | 00210238 | HOSE CLAMP, NYLON, 40-45 GRAY | 128 | |
| 36 | 04159548 | Wire Rope, 1/4" Vinyl Coated to 5/16" | 100' | |
| 37 | 05311010 | Decal, Manifold Yellow 1-32 | 1 | |

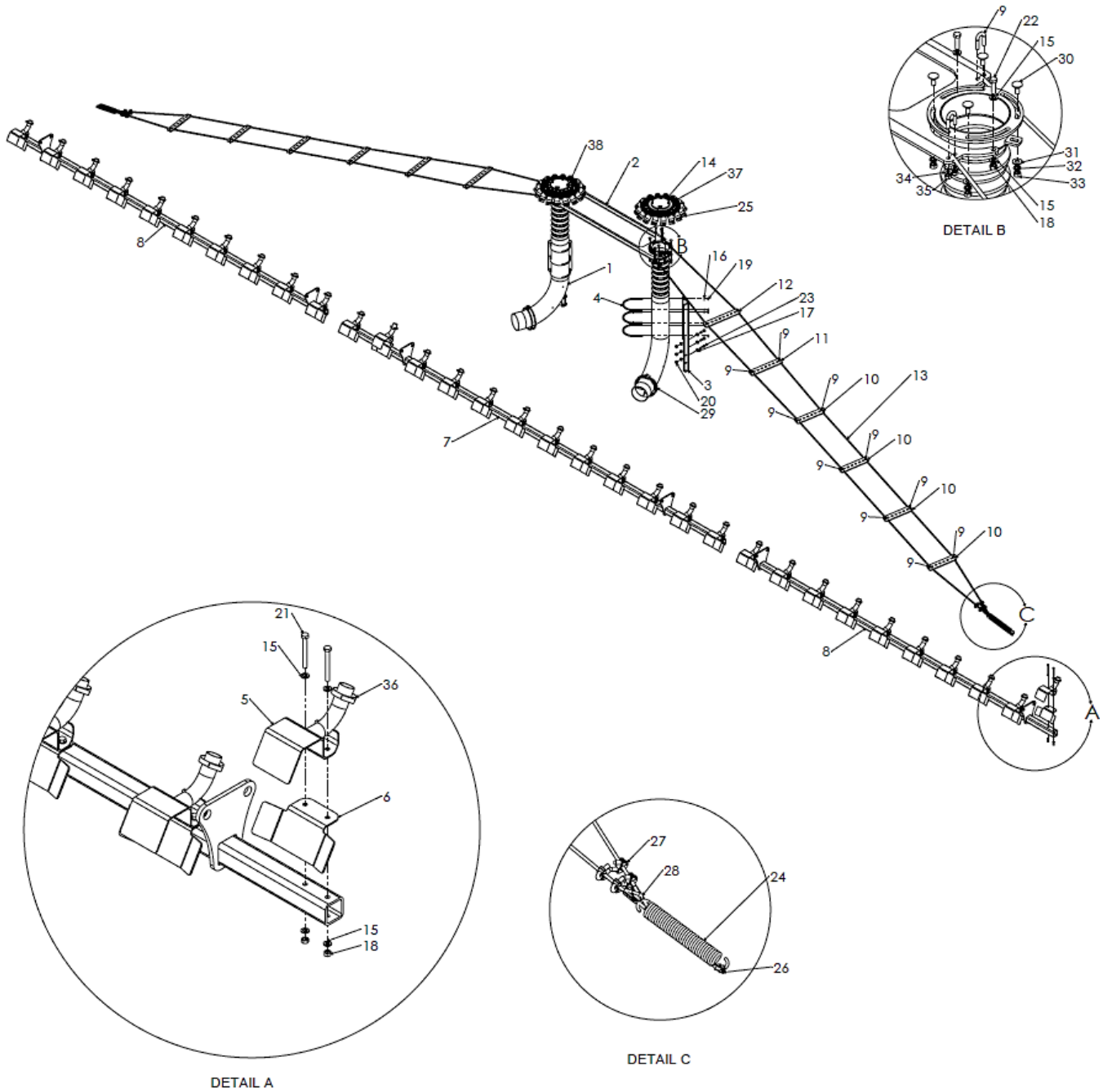
00500200 – Manifold, 32-Run Stainless, Single Shoot Air System



00500200 – Manifold, 32-Run Stainless, Single Shoot Air System

| Item | Part Number | Description | Qty. | Notes |
|------|-------------|-----------------------------------|------|------------|
| 1 | 01551316 | Nut, Wing SS 5/16" | 4 | |
| 2 | 00506355 | Blue Poly for Stainless Manifolds | 1 | |
| 3 | 00360447 | Bolt, Allen head, SS A2 M5-0.8x55 | 32 | |
| 4 | 00370102 | Washer, Flat M5 A-2 Stainless | 64 | |
| 5 | 01551318 | 32-32 Lid Steel | 1 | |
| 6 | 01551310 | Main Lid | 1 | |
| 7 | 23011001 | PORT FOR STEEL MANIFOLD, PLASTIC | 32 | |
| 8 | 01551313 | Manifold Bottom | 1 | |
| 9 | 00350056 | Nylock Hex Nut M5-8 A-2 Stainless | 32 | |
| 10 | - | - | - | Not Listed |
| 11 | 00500103 | Poly Cover | 1 | |

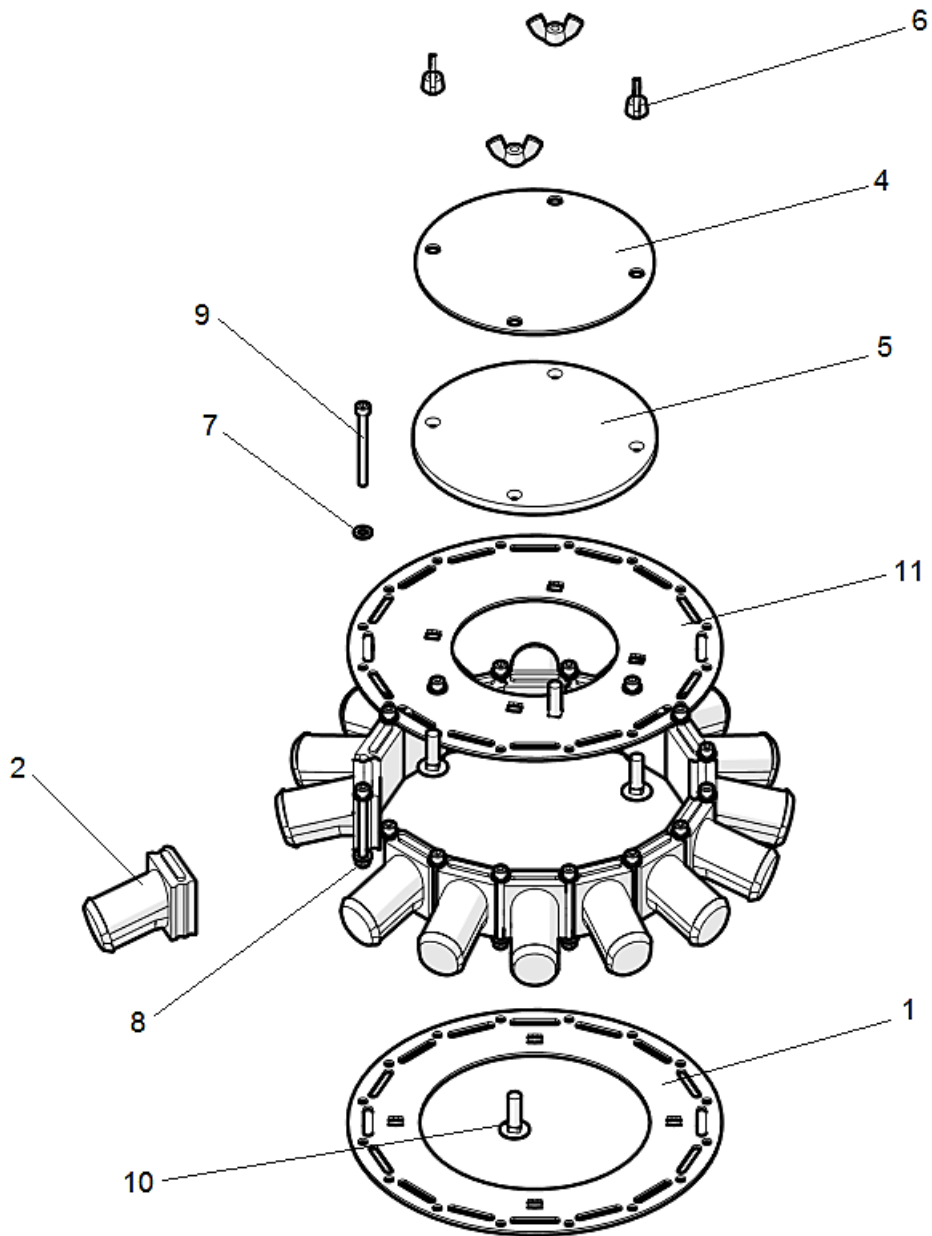
04337000 – Double Shoot Air System, Pronto 40 DC



04337000 – Double Shoot Air System, Pronto 40 DC

| Item | Part Number | Description | Qty. | Notes |
|------|-------------|--|------|------------------------------|
| 1 | 01557500 | MANIFOLD TUBE "H" 140-1180 | 2 | |
| 2 | 04330610 | Tower Cable Mount Fert | 1 | |
| 3 | 04330611 | Second Tower Holder | 2 | |
| 4 | 04330612 | U-Bolt, M10-1.5, 8.8, ZN, 3" R | 6 | |
| 5 | 04332100 | Fert. Deflector | 32 | |
| 6 | 04332110 | Deflector Rear Plate | 32 | |
| 7 | 04332120 | Fert. Mount Bar Middle | 1 | |
| 8 | 04332130 | Wing Fert. Mount | 2 | |
| 9 | 04153005 | U-Bolt, Round 1/4-20 x .875" lg x .75" CL | 28 | |
| 10 | 04153002 | Hose Bracket 10.5" | 8 | |
| 11 | 04153001 | Hose Bracket 12" | 2 | |
| 12 | 04153004 | Hose Bracket 13.5" | 2 | |
| 13 | 04159548 | Wire Rope, 1/4" Vinyl Coated to 5/16" | 100' | |
| 14 | 04151600 | 16 Run Manifold | 2 | See 04151600 |
| 15 | M5A08000 | Washer, Flat, M8, DIN125, ZN | 136 | |
| 16 | M5A10000 | Washer, Flat, M10, DIN125, ZN | 12 | |
| 17 | M5A12000 | Washer, Flat, M12, DIN125, ZN | 12 | |
| 18 | M3C08000 | Nut, Nylock, M8-1.25, DIN985, Cl. 8, ZN | 68 | |
| 19 | M3C10000 | Nut, Nylock, M10-1.5, DIN985, Cl. 8, ZN | 12 | |
| 20 | M3C12000 | Nut, Nylock, M12-1.75, DIN985, Cl. 8, ZN | 6 | |
| 21 | M1A08075 | Bolt, Hex, M8-1.25x75, DIN931, 8.8, ZN | 64 | |
| 22 | M1A08030 | Bolt, Hex, M8-1.25x30, DIN931, 8.8, ZN | 4 | |
| 23 | M1A12040 | Bolt, Hex, M12-1.75x40, DIN933, 8.8, ZN | 6 | |
| 24 | 00170204 | SPRING, TENSION 262MM X 38MM X 6MM | 2 | |
| 25 | 00190189 | ADAPTER SLEEVE FOR MANIFOLD | 32 | |
| 26 | 00506170 | Chain Clip 3/16" | 2 | |
| 27 | 04159546 | Wire Rope Clip 5/16" | 8 | |
| 28 | 04159547 | Thimble, 5/16" | 4 | |
| 29 | 05499907 | Hose Clamp, 5.5" | 2 | Not Shown |
| 30 | M1U08020 | BOLT, CARRIAGE, M8-1.25X20, DIN603, A2, SS | 8 | |
| 31 | M5J08000 | Washer, Flat, M8, DIN125, A2, SS | 8 | |
| 32 | M5M08000 | Washer, Lock, M8, DIN127, A2, SS | 8 | |
| 33 | M3R08000 | Nut, Hex, M8-1.25, DIN985, A2, SS | 8 | |
| 34 | S5A04000 | Washer, Flat, 1/4", SAE, ZN | 56 | |
| 35 | S3C04000 | Nut, Nylock, 1/4"-20, Gr. 5, ZN | 56 | |
| 36 | 05029910 | Hose Clamp, 1.25"-2" x 3/8"W, SS MC5574K17 | 32 | |
| 37 | 04339401 | Decal: 1-16 Manifold, 6"IDx7.5"OD | 1 | |
| 38 | 04339402 | Decal: 17-32 Manifold, 6"IDx7.5"OD | 1 | |
| 39 | 05003010 | Hose, Seed, Lined 5-1/2" | 30' | Not Shown |
| 40 | 00509755 | Tie Strap, 15" HD | 200 | Not Shown |
| 41 | 00506270 | Hose Seed, Black, 1-1/4" | 600' | Not Shown |

04151600 – Manifold, 16-Run, Double Shoot Air System



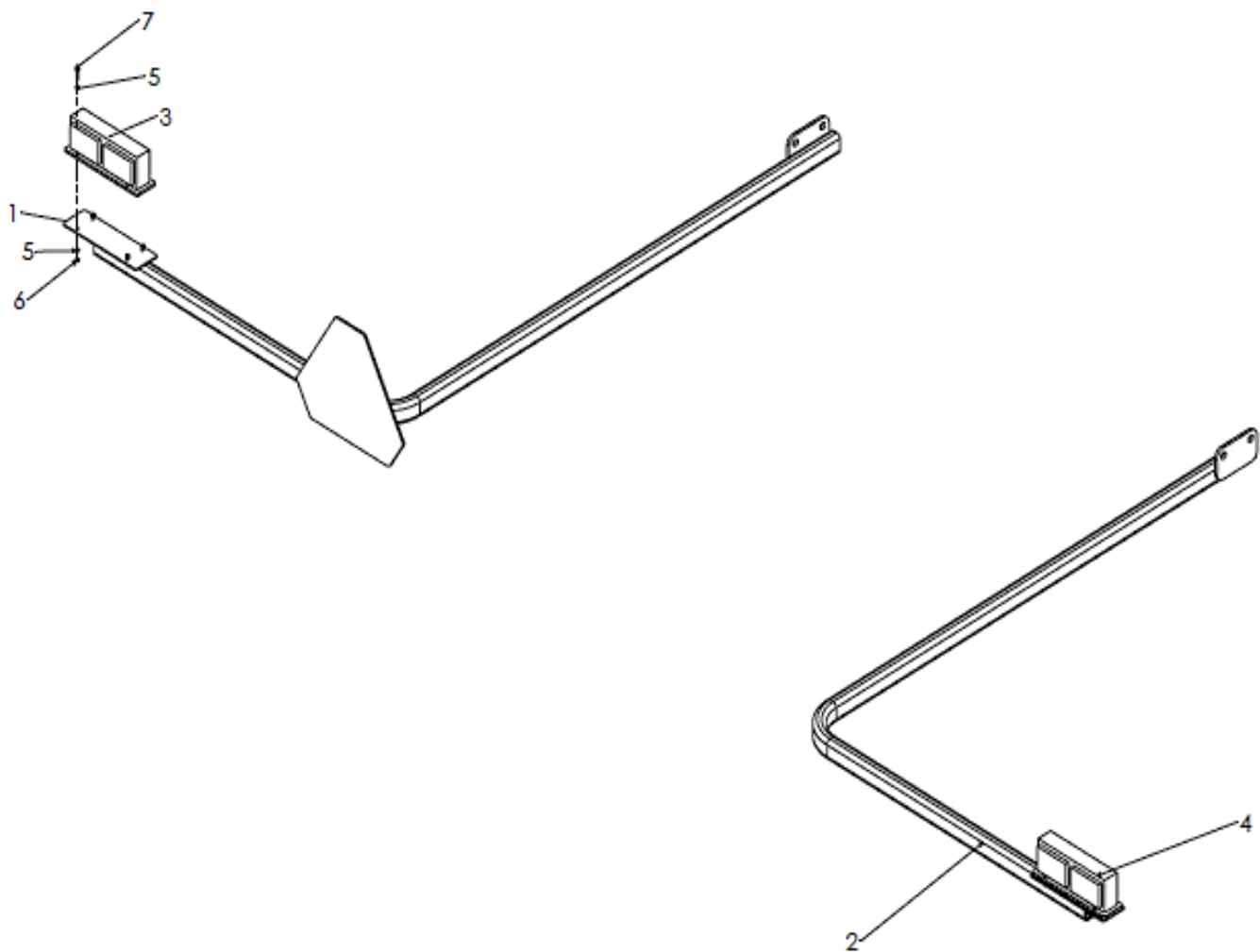
04151600 – Manifold, 16-Run, Double Shoot Air System

| Item | Part Number | Description | Qty. | Notes |
|------|-------------|--|------|---------------|
| 1 | 04151601 | 16 Run Lid Bottom | 1 | |
| 2 | 23011001 | PORT FOR STEEL MANIFOLD, PLASTIC | 16 | |
| 3 | 04151610 | Lid Weldment 16 Run | 1 | |
| 4 | 04151602 | Lid 16 Run Head | 1 | |
| 5 | 04151603 | Blue Poly Small Manifold | 1 | |
| 6 | 01551316 | Nut, Wing SS 5/16" | 4 | |
| 7 | M5J05000 | Washer, Flat, M5, DIN125, A2, SS | 32 | |
| 8 | M3N05000 | Nut, Nylock, M5-0.8, DIN985, A2-70, SS | 16 | |
| 9 | M1P05055 | Bolt, Socket, M5-0.8x55, DIN912, A2-70, SS | 16 | |
| 10 | 00370409 | Bolt, Carriage, 5/16"-18 | 4 | |
| 11 | - | Plate | 1 | Not Available |

Notes:

Section 4 – Electronics/Electrical

04335700 – Assembly, Lighting, Pronto 40 DC



04335700 – Assembly, Lighting, Pronto 40 DC

| Item | Part Number | Description | Qty. | Notes |
|-------------|--------------------|--|-------------|--------------|
| 1 | 04331400 | Light Bar Weldment Left Pronto | 1 | |
| 2 | 04331410 | Light Bar Weldment Right Pronto | 1 | |
| 3 | 04549001 | LIGHT, JAMMY DBL LED LH J-AC2-L4 | 1 | |
| 4 | 04549002 | LIGHT, JAMMY DBL LED RH J-AC2-R4 | 1 | |
| 5 | M5A06000 | Washer, Flat, M6, DIN125, ZN | 16 | |
| 6 | M3C06000 | Nut, Nylock, M6-1.0, DIN985, Cl. 8, ZN | 8 | |
| 7 | M1A06030 | Bolt, Hex, M6-1.0x30, DIN931, 8.8, ZN | 8 | |
| 8 | 04335701 | Light Harness Pronto DC40 | 1 | Not Shown |
| 9 | 00509755 | Tie Strap, 15" HD | 20 | Not Shown |

04338903 – ISO Blockage Monitor, Single Shoot Air System

**No illustration or parts listing available at this time.*

04338904 – ISO Blockage Monitor, Double Shoot Air System

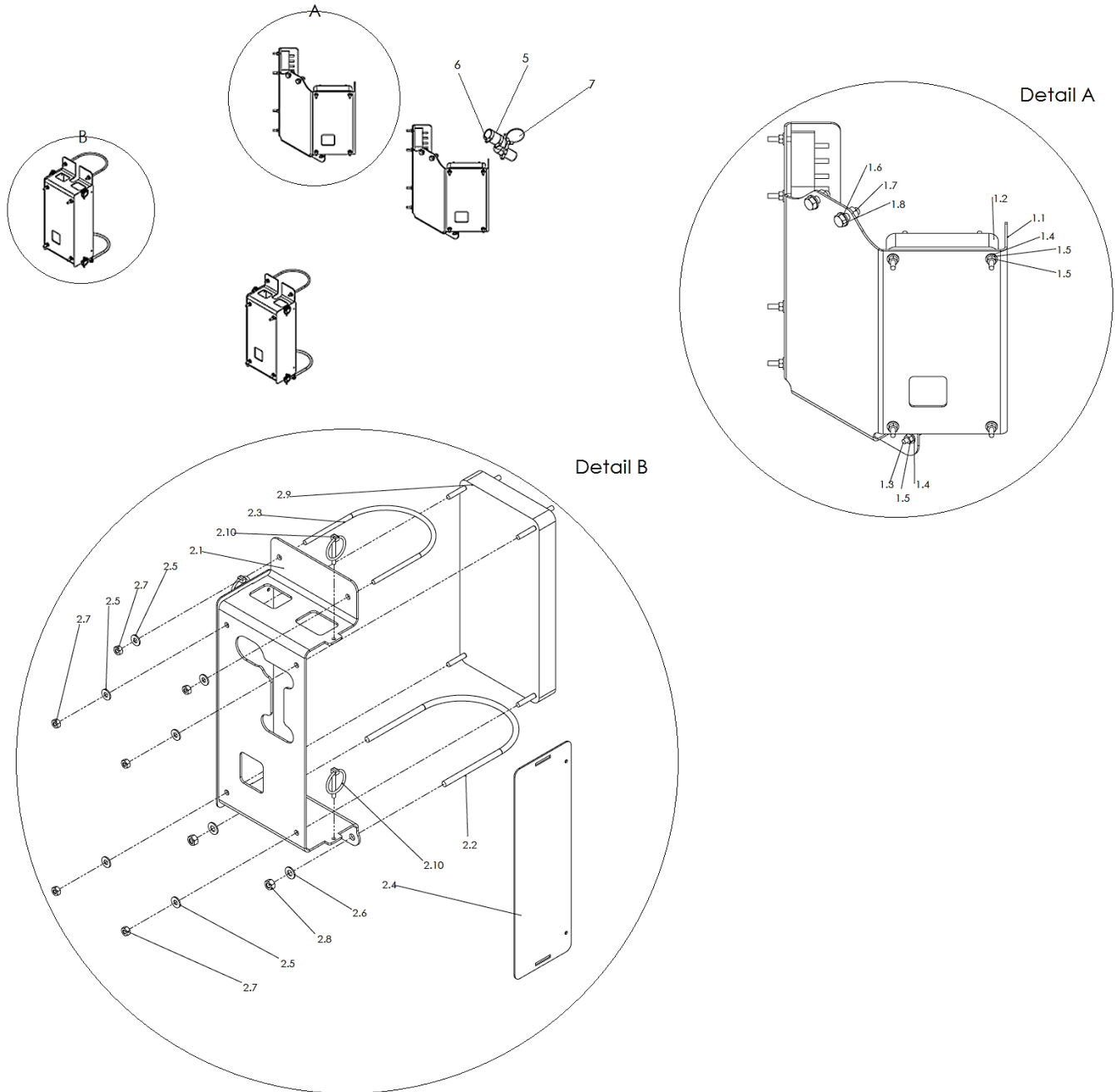
**No illustration or parts listing available at this time.*

04338905 – Wireless Blockage Monitor, Single Shoot Air System

**No illustration or parts listing available at this time.*

**This page left blank intentionally.*

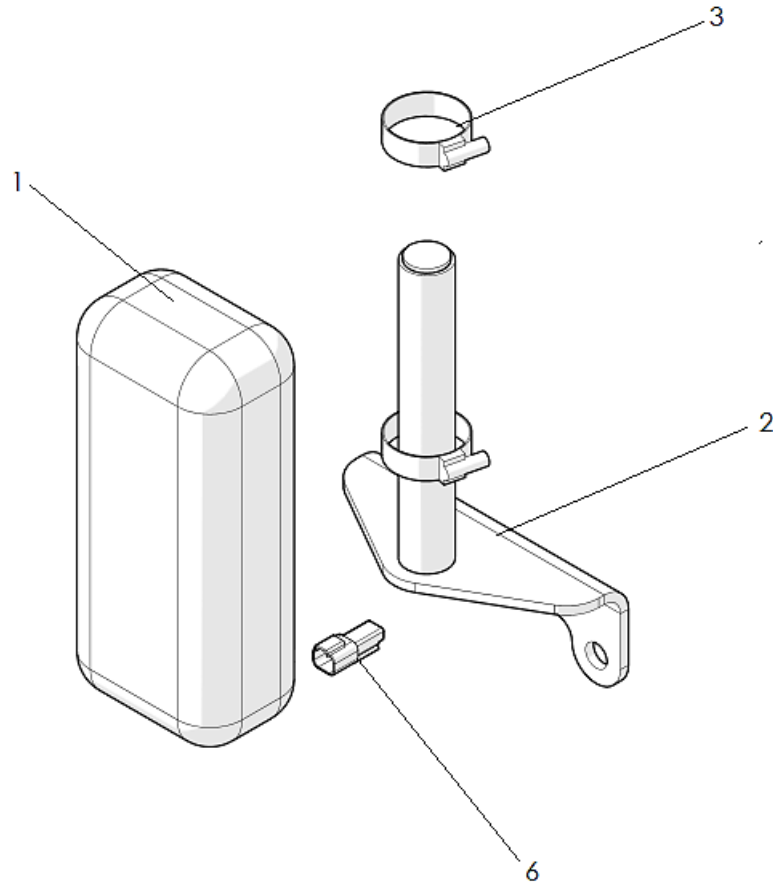
04338906 – Wireless Blockage Monitor, Double Shoot Air System



04338906 – Wireless Blockage Monitor, Double Shoot Air System

| Item | Part Number | Description | Qty. | Notes |
|------|-------------|--|------|------------------------------|
| 1 | - | WBM Dual ECU Tower Mounted | 2 | See Items 1.1-1.8 |
| 1.1 | 04331510 | Dual ECU Mount | 1 | |
| 1.2 | 04119711 | ECU, IAS, WBM | 2 | |
| 1.3 | 04119709 | U-Bolt, 5" ID, 1/4"-20, ZN | 1 | |
| 1.4 | S5A04000 | Washer, Flat, 1/4", SAE, ZN | 10 | |
| 1.5 | S3C04000 | Nut, Nylock, 1/4"-20, Gr.5, ZN | 10 | |
| 1.6 | M5A10000 | Washer, Flat, M10, DIN125, ZN | 4 | |
| 1.7 | M3C10000 | Nut, Nylock, M10-1.5, DIN985, Cl.8, ZN | 2 | |
| 1.8 | M1A10030 | Bolt, Hex, M10-1.5x30, DIN931, 8.8, ZN | 2 | |
| 2 | - | Assy, Tower Mounting ECU | 2 | See Items 2.1-2.10 |
| 2.1 | 04119708 | ECU Mount Bracket, 5.5" | 1 | |
| 2.2 | 05493031 | U-Bolt, 5.5" Steel Side Pipe | 1 | |
| 2.3 | 04119709 | U-Bolt, 5" ID, 1/4"-20, ZN | 1 | |
| 2.4 | 04119710 | Side Plate, IAS ECU | 2 | |
| 2.5 | S5A04000 | Washer, Flat, 1/4", SAE, ZN | 6 | |
| 2.6 | S5B05000 | Washer, Flat, 5/16", USS, ZN | 2 | |
| 2.7 | S3C04000 | Nut, Nylock, 1/4"-20, Gr.5, ZN | 6 | |
| 2.8 | S3C05000 | Nut, Nylock, 5/16"-18, Gr.5, ZN | 2 | |
| 2.9 | 04119711 | ECU, IAS, WBM | 1 | |
| 2.10 | 04119705 | Lynch Pin w/ Chain, 3/16" | 4 | |
| 3 | 04331550 | WBM Access Point Pronto | 1 | See 04331550 |
| 4 | 04331560 | Work Switch WBM Pronto | 1 | See 04331560 |
| 5 | 04119701 | 1.5" to 1.25" Adapter Hose | 192 | |
| 6 | 04119702 | 1.5" Hose Clamp, .5" Width | 384 | |
| 7 | 04119703 | 1.5" Sensor Assembly, IAS, In-Line | 96 | |
| 8 | 04331501 | Harness, Pronto DC40, WBM | 1 | Not Shown |
| 9 | 04331570 | Tractor Kit, WBM Pronto | 1 | See Items 9.1-9.3 |
| 9.1 | 04119722 | Tablet Mount, IPAD Air 2 | 1 | Included in Item 9 |
| 9.2 | 04119718 | Tablet Mount Arm, 3.5" | 1 | Included in Item 9 |
| 9.3 | 04119719 | Rail Attachment For Tablet | 1 | Included in Item 9 |

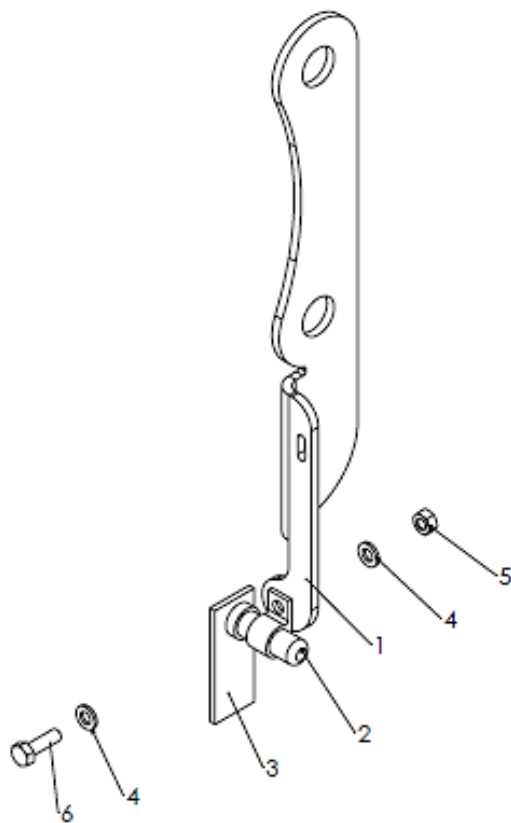
04331550 – Wireless Blockage Monitor Access Point



04331550 – Wireless Blockage Monitor Access Point

| Item | Part Number | Description | Qty. | Notes |
|-------------|--------------------|---|-------------|--------------|
| 1 | 04119706 | Access Point - CNFIG to WBM NTWRK | 1 | |
| 2 | 04331520 | Access Point Mount | 1 | |
| 3 | 05499901 | Hose Clamp, 1.25"-2.125" x 5/8"W, SS MC5682K12 | 2 | |
| 4 | 04119707 | Access Point Power Cable | 1 | Not Shown |
| 5 | 04331551 | Power Cable Y Access Point | 1 | Not Shown |
| 6 | 04331552 | Deutsch Con. W/Pins, DT04-2P | 1 | |

04331560 – Wireless Blockage Monitor Work Switch



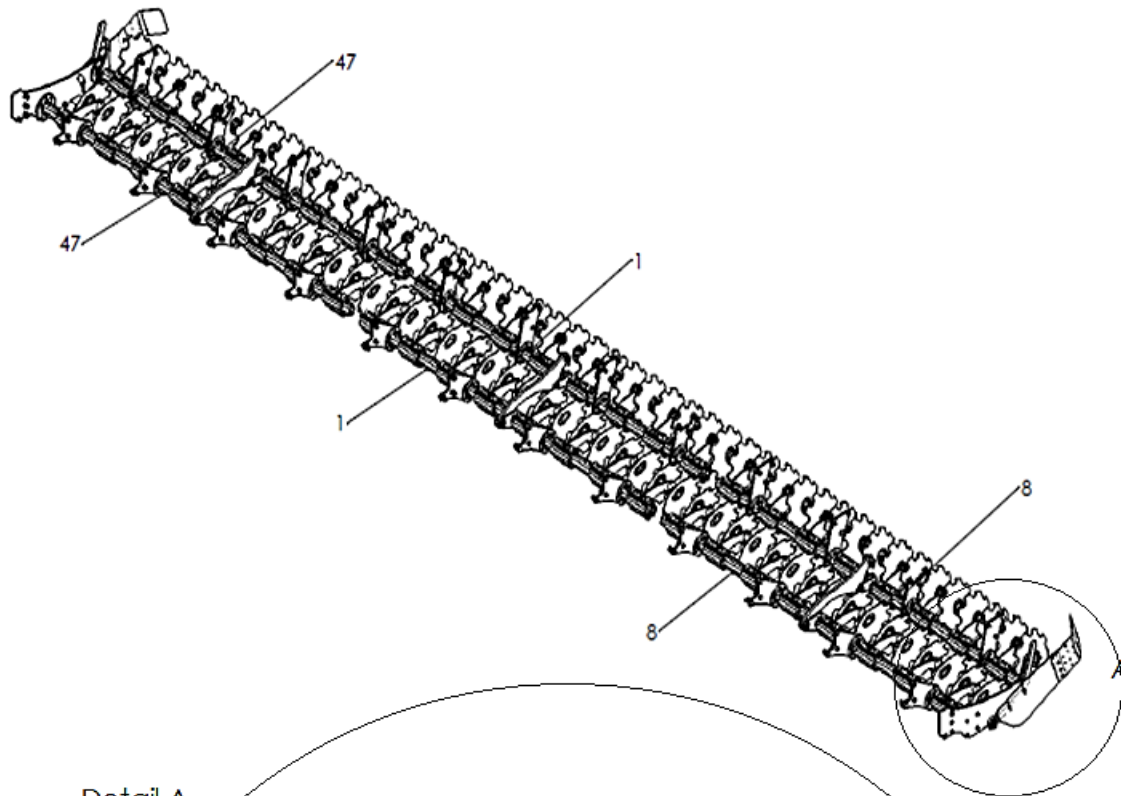
04331560 – Wireless Blockage Monitor Work Switch

| Item | Part Number | Description | Qty. | Notes |
|-------------|--------------------|--|-------------|--------------|
| 1 | 04331561 | Work Switch Mount | 1 | |
| 2 | 61007070 | Work Switch, ISO | 1 | |
| 3 | 04331562 | Magnet, Strip 1" W, Adhesive Back 0.2' | 1 | |
| 4 | M5A06000 | Washer, Flat, M6, DIN125, ZN | 2 | |
| 5 | M3C06000 | Nut, Nylock, M6-1.0, DIN985, Cl. 8, ZN | 1 | |
| 6 | M1A06020 | Bolt, Hex, M6-1.0x20, DIN933, 8.8, ZN | 1 | |
| 7 | 05498231 | Extension Cable, 20' 3 Pin Deutsch | 1 | Not Shown |

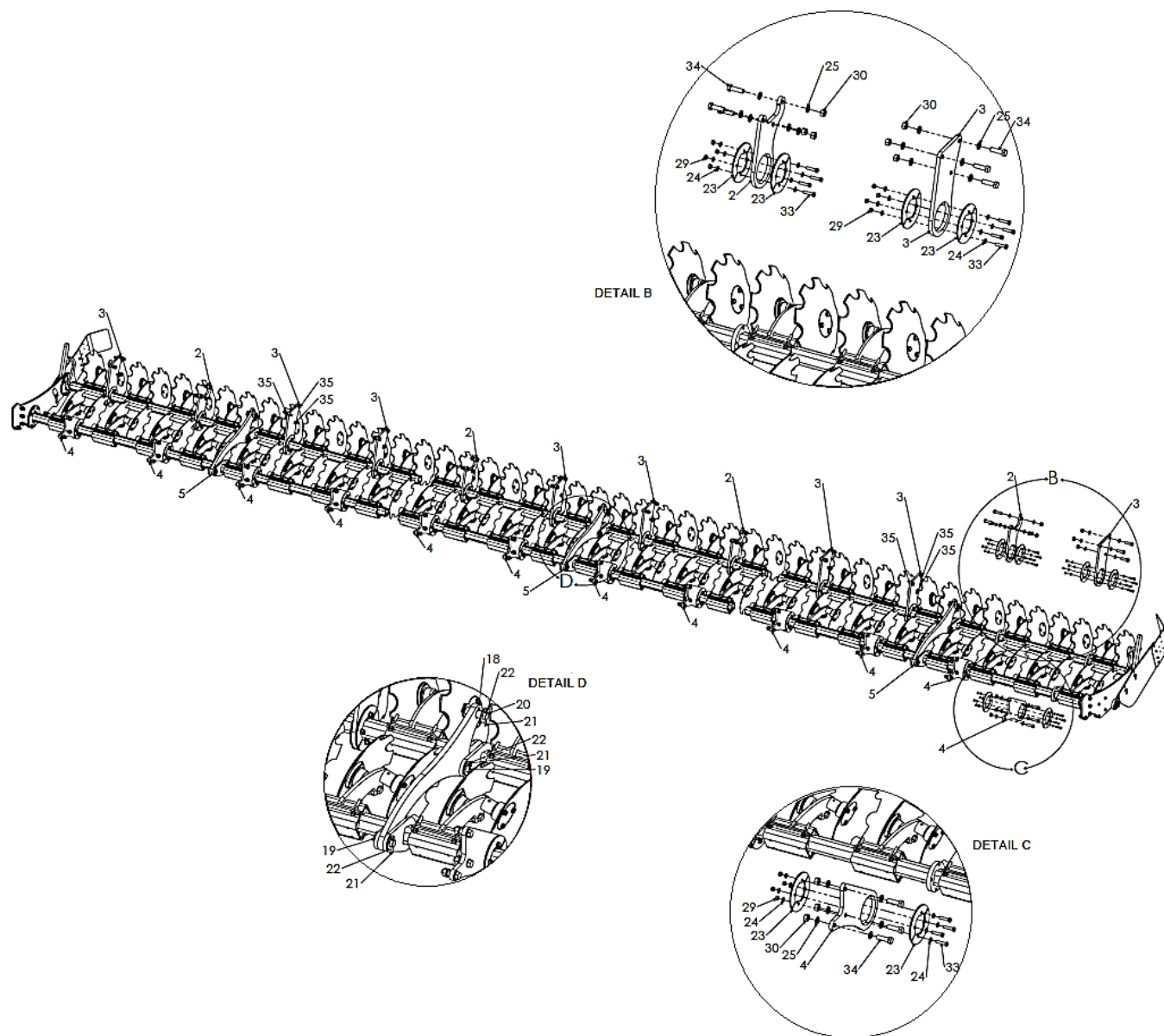
Notes:

Section 5 – Disc System/Openers/Press Wheels

04330010 – Disc System, 18", Pronto 40 DC (Detail A)



Detail A

04330010 – Disc System, 18”, Pronto 40 DC (Details B, C & D)

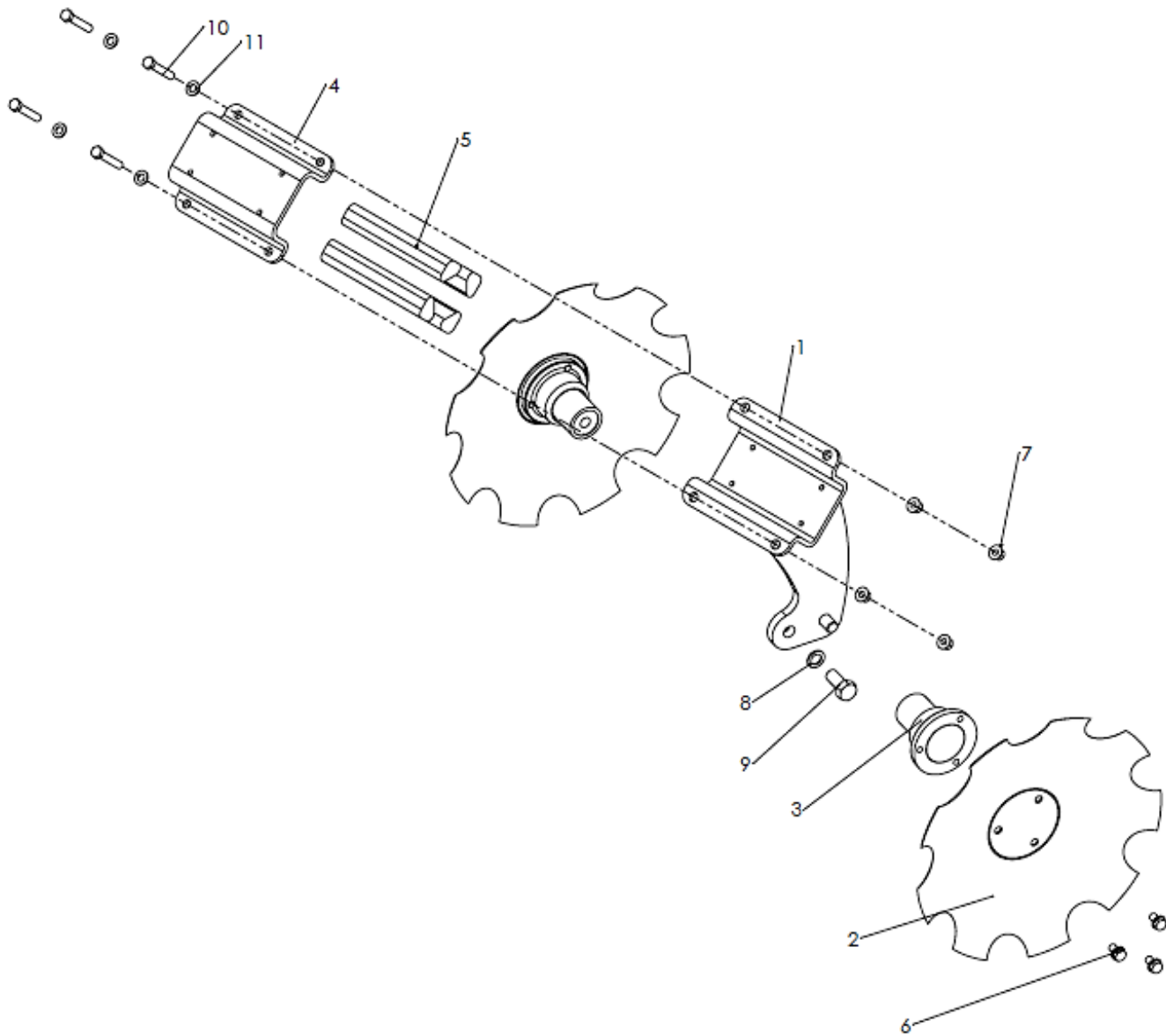
04330010 – Disc System, 18”, Pronto 40 DC (Parts Listing)

| Item | Part Number | Description | Qty. | Notes |
|------|-------------|---|------|------------------------------|
| 1 | 04331300 | Disc Shaft Weldment CRT18 | 2 | |
| 2 | 04331398 | Disc Shaft Mount Rear 18cut | 4 | |
| 3 | 04331397 | Inside Disc Shaft Mount18 | 8 | |
| 4 | 04331294 | 18" Blade Disc Shaft | 12 | |
| 5 | 04331399 | Disc Shaft Link 18 | 3 | |
| 6 | - | Front Coulter DBL Pronto Assy | 24 | See 04335610 |
| 7 | - | Rear Coulter DBL Pronto Assy | 24 | See 04335620 |
| 8 | 04331210 | Disc Shaft Left Wing | 2 | |
| 9 | 04332014 | End Plate Pronto 18 | 2 | |
| 10 | 04332002 | Edge Plate Pronto | 2 | |
| 11 | 04332016 | Arm Edge Plate 18 | 2 | |
| 12 | 04332004 | Edge Disc, Guide Ring | 4 | |
| 13 | 04332005 | Plate Lifter Arm | 2 | |
| 14 | 04332006 | Moon Plate, Outer | 8 | |
| 15 | 04332007 | Hold Part End Plate | 2 | |
| 16 | 04332008 | Stop Bushing | 2 | |
| 17 | 04332009 | CAP, Pronto End | 2 | |
| 18 | 00230083 | BUSHING EG 40/32X25 | 9 | |
| 19 | 23062205 | PIN, 32mm-68mm | 6 | |
| 20 | 33783305 | BOLT 32-92 | 3 | |
| 21 | M6G08063 | Pin, Cotter, M8x63, DIN94, ZN | 18 | |
| 22 | S5A20000 | Washer, Flat, 1-1/4", SAE, ZN | 18 | |
| 23 | 04332010 | Disc Shaft Mount Cover | 96 | |
| 24 | M5A12000 | Washer, Flat, M12, DIN125, ZN | 216 | |
| 25 | M5A20000 | Washer, Flat, M20, DIN125, ZN | 154 | |
| 26 | M5A24000 | Washer, Flat, M24, DIN125, ZN | 4 | |
| 27 | M5A16000 | Washer, Flat, M16, DIN125, ZN | 6 | |
| 28 | M5A10000 | Washer, Flat, M10, DIN125, ZN | 12 | |
| 29 | M3C12000 | Nut, Nylock, M12-1.75, DIN985, Cl. 8, ZN | 112 | |
| 30 | M3C20000 | Nut, Nylock, M20-2.5, DIN985, Cl. 8, ZN | 74 | |
| 31 | M3C24000 | Nut, Nylock, M24-3.0, DIN985, Cl. 8, ZN | 2 | |
| 32 | M3C10000 | Nut, Nylock, M10-1.5, DIN985, Cl. 8, ZN | 6 | |
| 33 | M1A12055 | Bolt, Hex, M12-1.75x55, DIN931, 8.8, ZN | 104 | |
| 34 | M1A20070 | Bolt, Hex, M20-2.5x70, DIN931, 8.8, ZN | 74 | |
| 35 | M1A20040 | Bolt, Hex, M20-2.5x40, DIN933, 8.8, ZN | 6 | |
| 36 | M1A24090 | Bolt, Hex, M24-3.0x90, DIN931, 8.8, ZN | 2 | |
| 37 | M1A16035 | Bolt, Hex, M16-2.0x35, DIN933, 8.8, ZN | 4 | |
| 38 | M1A16050 | Bolt, Hex, M16-2.0x50, DIN933, 8.8, ZN | 2 | |
| 39 | M1A10030 | Bolt, Hex, M10-1.5x30, DIN931, 8.8, ZN | 6 | |
| 40 | M1E12050 | Bolt, Counter, M12-1.75x50, DIN7991, 10.9, ZN | 8 | |
| 41 | M5G12000 | Washer, Lock, M12, DIN7980, ZN | 4 | |
| 42 | M1D12060 | Bolt, Socket, M12-1.75x60, DIN912, 12.9, ZN | 4 | |
| 43 | 04519018 | BUSHING, TENSION 2.25"/2"--1 | 2 | |
| 44 | 04332011 | Slot Cover Plate | 2 | |

04330010 – Disc System, 18”, Pronto 40 DC (Parts Listing cont’d)

| Item | Part Number | Description | Qty. | Notes |
|-------------|--------------------|------------------------------|-------------|--------------|
| 45 | 04332012 | Bushing Pivot Stop End Plate | 2 | |
| 46 | 04332013 | Edge Plate Pronto | 2 | |
| 47 | 04331310 | Disc Shaft Right Wing, 18 | 2 | |

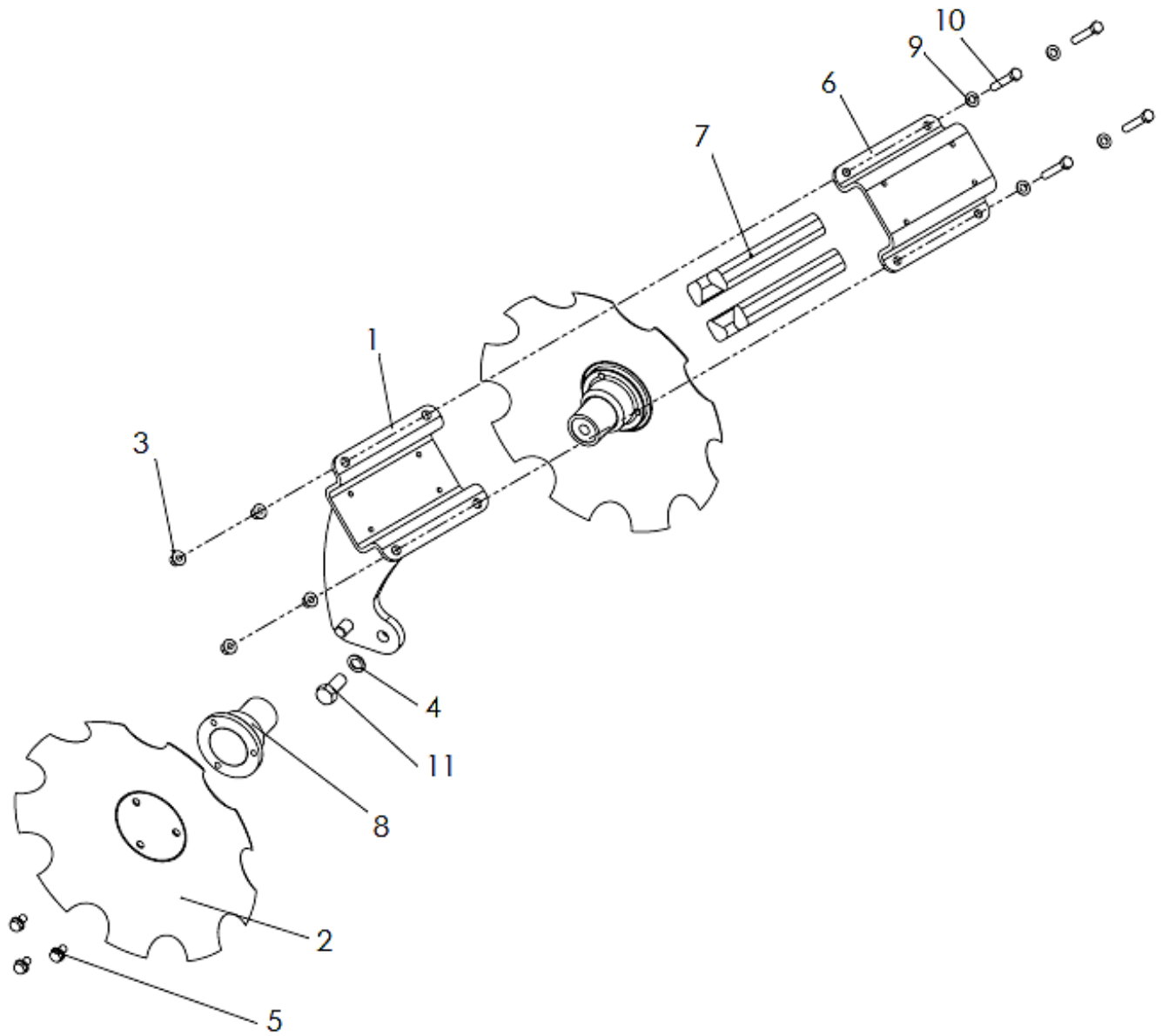
04335610 – Front Coulter Assembly, Double Unit, 18" Blade



04335610 – Front Coultter Assembly, Double Unit, 18” Blade

| Item | Part Number | Description | Qty. | Notes |
|------|-------------|---|------|------------------------------|
| 1 | 04331100 | Pronto DC Coultter Front | 1 | |
| 2 | 23246102 | DISC, NOTCHED, 460 X 4, 3 HOLE | 2 | |
| 3 | 23246700 | Bearing Unit, 3xM12, 111mm | 2 | See 23246700 |
| 4 | 04560802 | COULTER ARM MOUNT SHORT | 1 | |
| 5 | 04599615 | Rubber Cord, 9" x 1.6" | 4 | |
| 6 | 00360414 | BOLT, FLANGE M12-1.75 X 20 GR. 10.9 | 6 | |
| 7 | 00350084 | Nut, Flange, M12-1.75 10.9 GEOM 321 A | 4 | |
| 8 | 04159514 | Washer, Nord-Lock M20 | 2 | |
| 9 | M1B20045 | Bolt, Hex, M20-2.5x45, DIN933, 10.9, YZN | 2 | |
| 10 | M1H12070 | Bolt, Hex, M12-1.75x70, DIN933, 10.9, YZN | 4 | |
| 11 | M5E12000 | Washer, Flat, M12, DIN125, HV200, YZN | 4 | |

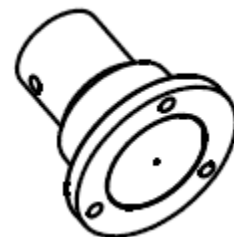
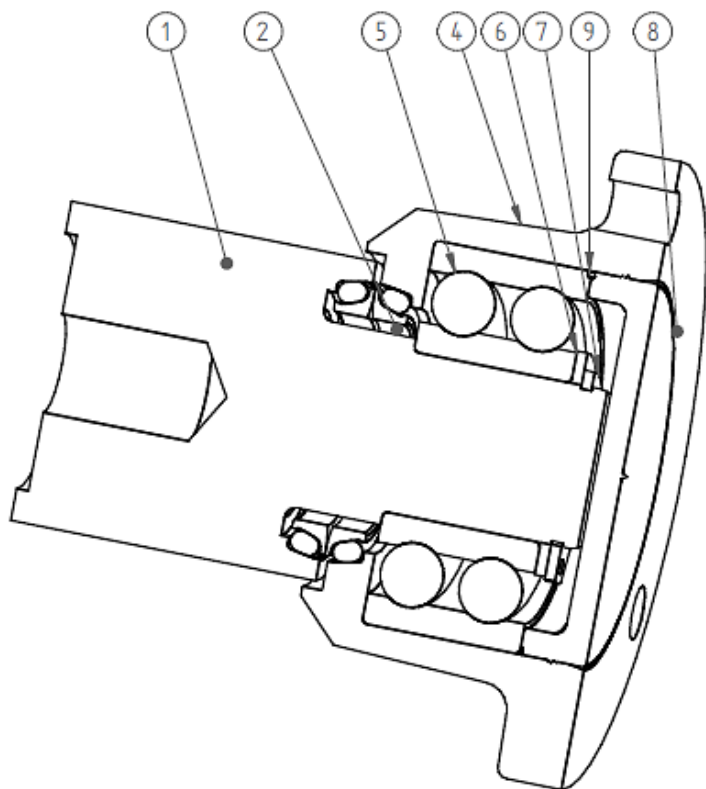
04335620 – Rear Coulter Assembly, Double Unit, 18" Blade



04335620 – Rear Coulter Assembly, Double Unit, 18” Blade

| Item | Part Number | Description | Qty. | Notes |
|------|-------------|---|------|------------------------------|
| 1 | 04331110 | Pronto DC Coulter Rear | 1 | |
| 2 | 23246700 | DISC, NOTCHED, 460 X 4, 3 HOLE | 2 | |
| 3 | 00350084 | Nut, Flange, M12-1.75 10.9 GEOM 321 A | 4 | |
| 4 | 04159514 | Washer, Nord-Lock M20 | 2 | |
| 5 | 00360414 | BOLT, FLANGE M12-1.75 X 20 GR. 10.9 | 6 | |
| 6 | 04560802 | COULTER ARM MOUNT SHORT | 1 | |
| 7 | 04599615 | Rubber Cord, 9" x 1.6" | 4 | |
| 8 | 23246700 | Bearing Unit, 3xM12, 111mm | 2 | See 23246700 |
| 9 | M5E12000 | Washer, Flat, M12, DIN125, HV200, YZN | 4 | |
| 10 | M1H12070 | Bolt, Hex, M12-1.75x70, DIN933, 10.9, YZN | 4 | |
| 11 | M1B20045 | Bolt, Hex, M20-2.5x45, DIN933, 10.9, YZN | 2 | |

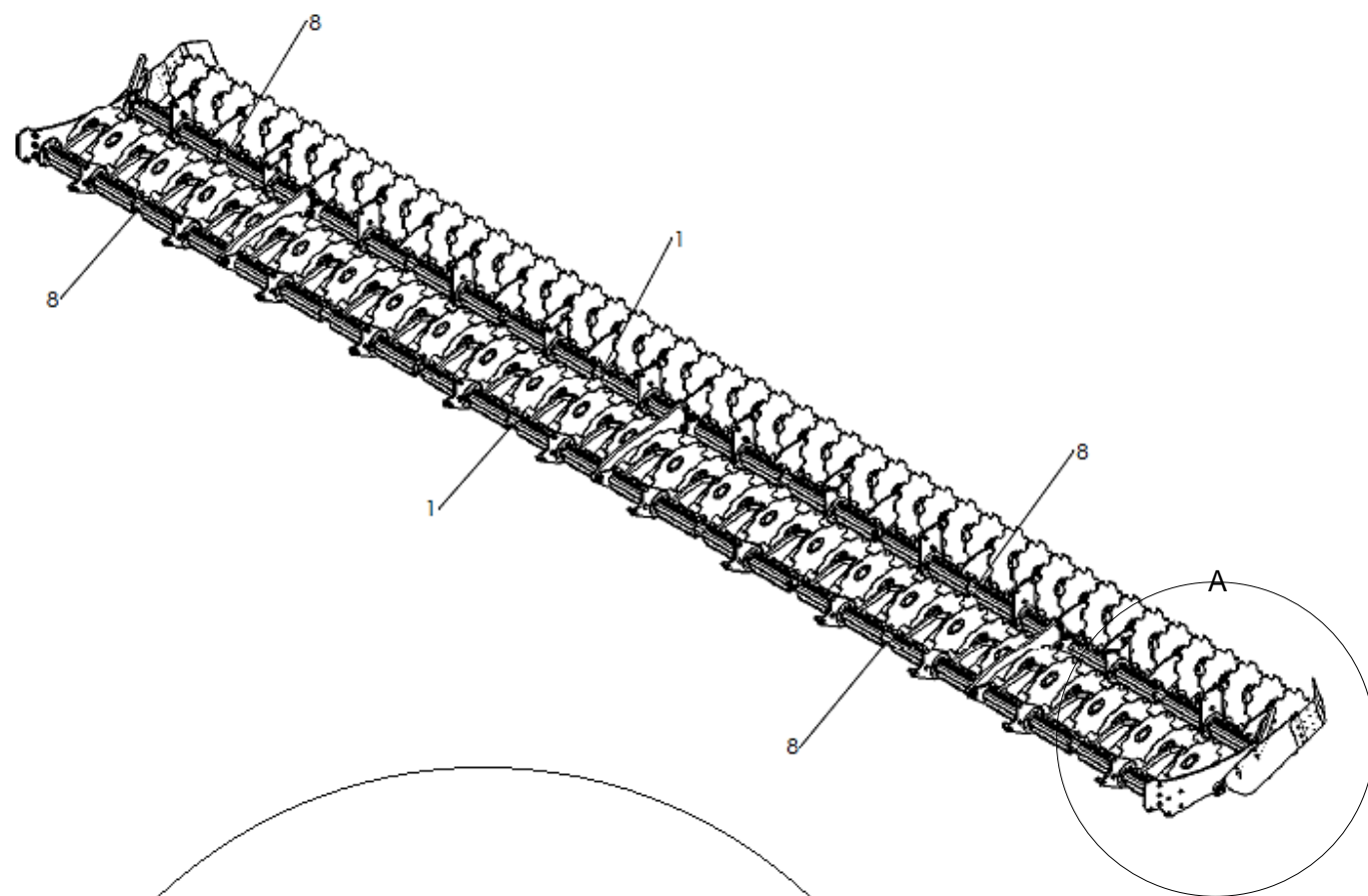
23246700 – Bearing Unit, 3xM12, 111mm



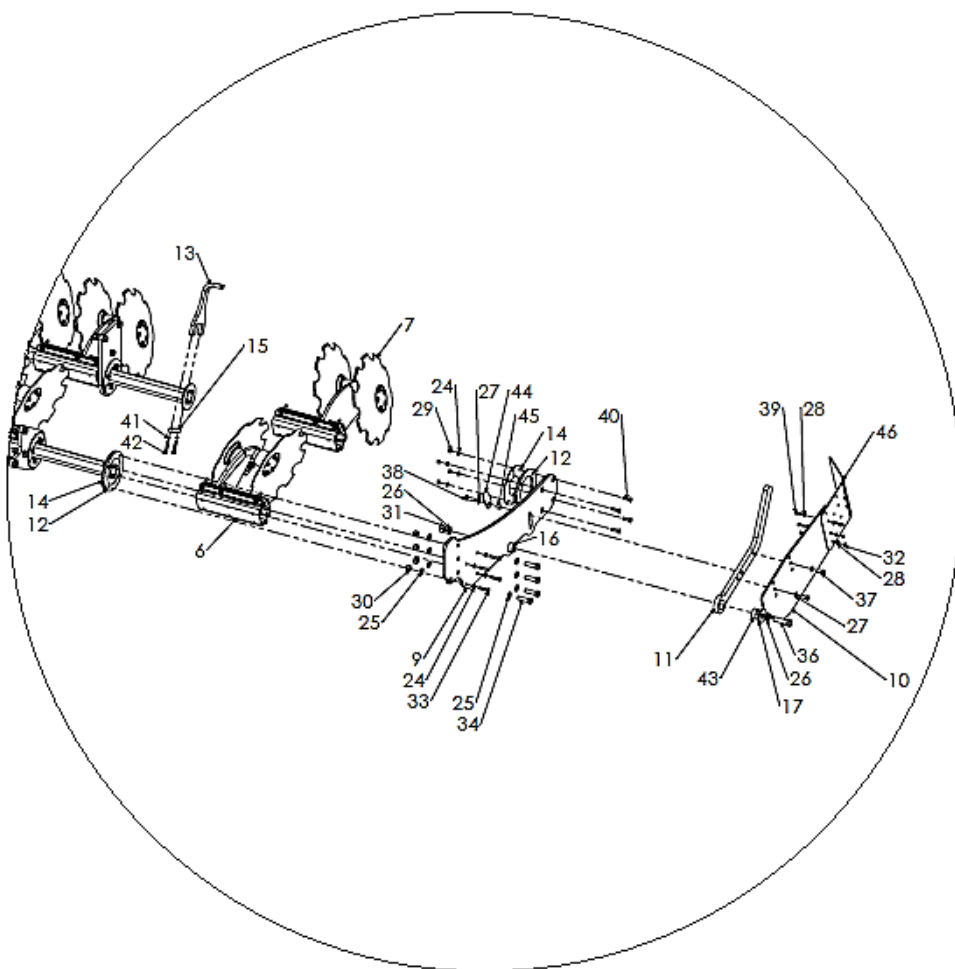
23246700 – Bearing Unit, 3xM12, 111mm

| Item | Part Number | Description | Qty. | Notes |
|------|-------------|-----------------------------------|------|----------------|
| 1 | 23246701 | Stub Shaft Pronto GLRD | 1 | |
| 2 | 00270365 | Slide Ring Seal D30 NBR 1 | 1 | |
| 3 | - | - | - | Not Listed |
| 4 | 23246101 | Nave Pronto GLRD | 1 | |
| 5 | 00240164 | Bearing 3306 | 1 | |
| 6 | 00230059 | Adjusting washer 30 x 42 x 2 | 1 | |
| 7 | 00265185 | Circlip 30 x 2 phos. | 1 | |
| 8 | 23246104 | Seal cap nave Pronto GLRD | 1 | |
| 9 | 00260182 | O-ring, 70.00 x 1.50 NBR | 1 | |
| 10 | - | Oil - Renolin Unisyn CLP 220 205L | 1 | Source Locally |

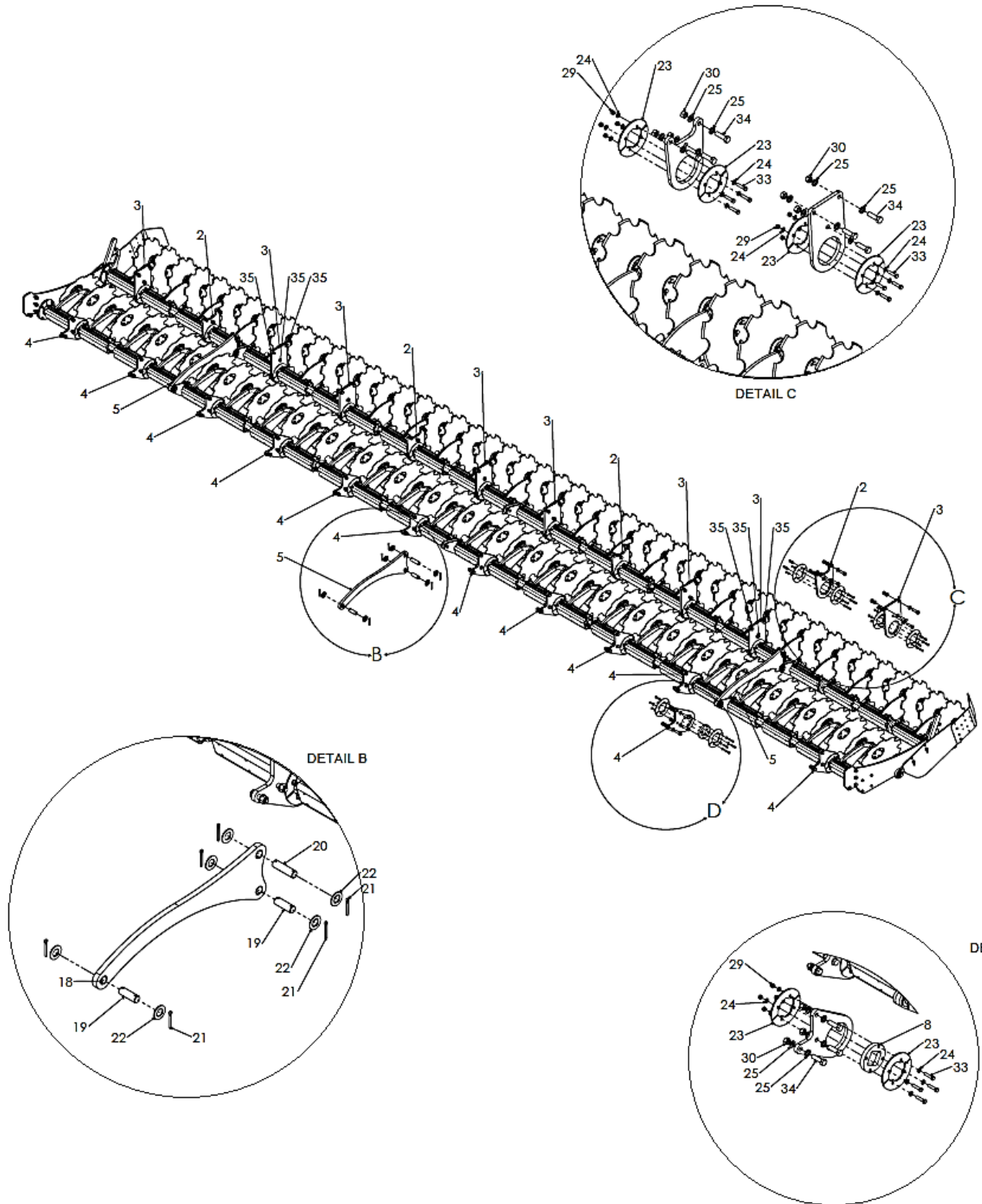
04330011 – Disc System, 20", Pronto 40 DC (Detail A)



Detail A



04330011 – Disc System, 20”, Pronto 40 DC (Details B, C & D)

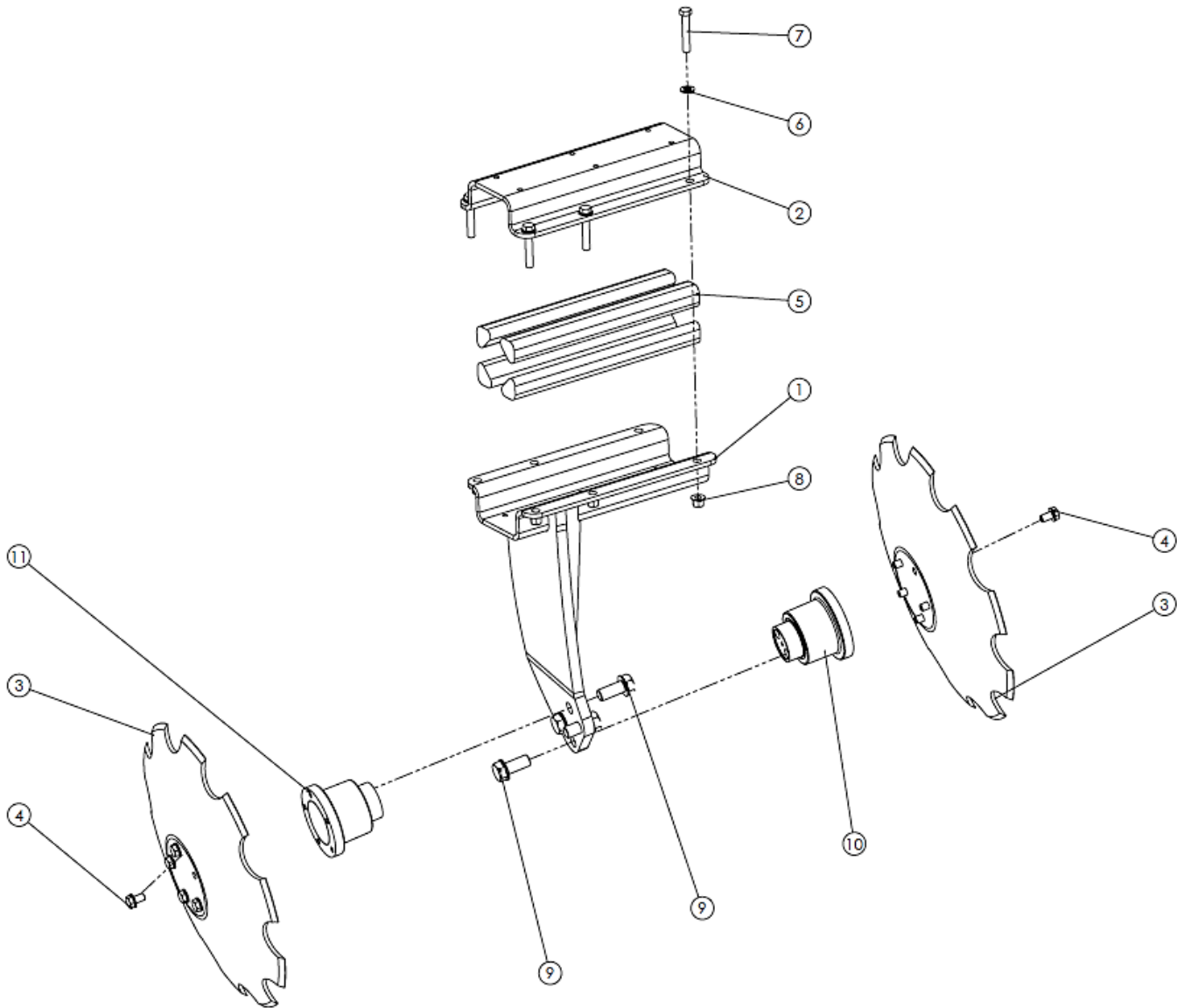


04330011 – Disc System, 20”, Pronto 40 DC (Parts Listing)

| Item | Part Number | Description | Qty. | Notes |
|------|-------------|---|------|------------------------------|
| 1 | 04331200 | Disc Shaft Weldment CTR20 | 2 | |
| 2 | 04331296 | Inner Disc Shaft Mount Rear | 4 | |
| 3 | 04331297 | Disc Shaft Mount Outer Rear | 8 | |
| 4 | 04331298 | Disc Shaft Pivot | 12 | |
| 5 | 04331299 | Disc Shaft Cylinder Link | 3 | |
| 6 | - | Assy, EXLG Coulter Unit Double Front | 24 | See 04616500 |
| 7 | - | Assy, EXLG Coulter Unit Double Back | 24 | See 04616700 |
| 8 | 04331210 | Disc Shaft Left Wing | 4 | |
| 9 | 04332001 | End Plate Pronto | 2 | |
| 10 | 04332002 | Edge Plate Pronto | 2 | |
| 11 | 04332003 | Arm Edge Plate | 2 | |
| 12 | 04332004 | Edge Disc, Guide Ring | 4 | |
| 13 | 04332005 | Plate Lifter Arm | 2 | |
| 14 | 04332006 | Moon Plate, Outer | 8 | |
| 15 | 04332007 | Hold Part End Plate | 2 | |
| 16 | 04332008 | Stop Bushing | 2 | |
| 17 | 04332009 | CAP, Pronto End | 2 | |
| 18 | 00230083 | BUSHING EG 40/32X25 | 9 | |
| 19 | 23062205 | PIN, 32mm-68mm | 6 | |
| 20 | 33783305 | BOLT 32-92 | 3 | |
| 21 | M6G08063 | Pin, Cotter, M8x63, DIN94, ZN | 18 | |
| 22 | S5A20000 | Washer, Flat, 1-1/4" | 18 | |
| 23 | 04332010 | Disc Shaft Mount Cover | 96 | |
| 24 | M5A12000 | Washer, Flat, M12, DIN125, ZN | 216 | |
| 25 | M5A20000 | Washer, Flat, M20, DIN125, ZN | 154 | |
| 26 | M5A24000 | Washer, Flat, M24, DIN125, ZN | 4 | |
| 27 | M5A16000 | Washer, Flat, M16, DIN125, ZN | 6 | |
| 28 | M5A10000 | Washer, Flat, M10, DIN125, ZN | 12 | |
| 29 | M3C12000 | Nut, Nylock, M12-1.75, DIN985, Cl. 8, ZN | 112 | |
| 30 | M3C20000 | Nut, Nylock, M20-2.5, DIN985, Cl. 8, ZN | 74 | |
| 31 | M3C24000 | Nut, Nylock, M24-3.0, DIN985, Cl. 8, ZN | 2 | |
| 32 | M3C10000 | Nut, Nylock, M10-1.5, DIN985, Cl. 8, ZN | 6 | |
| 33 | M1A12055 | Bolt, Hex, M12-1.75x55, DIN931, 8.8, ZN | 104 | |
| 34 | M1A20070 | Bolt, Hex, M20-2.5x70, DIN931, 8.8, ZN | 74 | |
| 35 | M1A20040 | Bolt, Hex, M20-2.5x40, DIN933, 8.8, ZN | 6 | |
| 36 | M1A24090 | Bolt, Hex, M24-3.0x90, DIN931, 8.8, ZN | 2 | |
| 37 | M1A16035 | Bolt, Hex, M16-2.0x35, DIN933, 8.8, ZN | 4 | |
| 38 | M1A16050 | Bolt, Hex, M16-2.0x50, DIN933, 8.8, ZN | 2 | |
| 39 | M1A10030 | Bolt, Hex, M10-1.5x30, DIN931, 8.8, ZN | 6 | |
| 40 | M1E12050 | Bolt, Counter, M12-1.75x50, DIN7991, 10.9 | 8 | |
| 41 | M5G12000 | Washer, Lock, M12, DIN7980, ZN | 4 | |
| 42 | M1D12060 | Bolt, Socket, M12-1.75x60 DIN912, 12.9 ZN | 4 | |
| 43 | 04519018 | BUSHING, TENSION 2.25"/2"--1" | 2 | |
| 44 | 04332011 | Slot Cover Plate | 2 | |
| 45 | 04332012 | Bushing Pivot Stop End Plate | 2 | |
| 46 | 04332013 | Edge Plate Pronto | 2 | |

**This page left blank intentionally.*

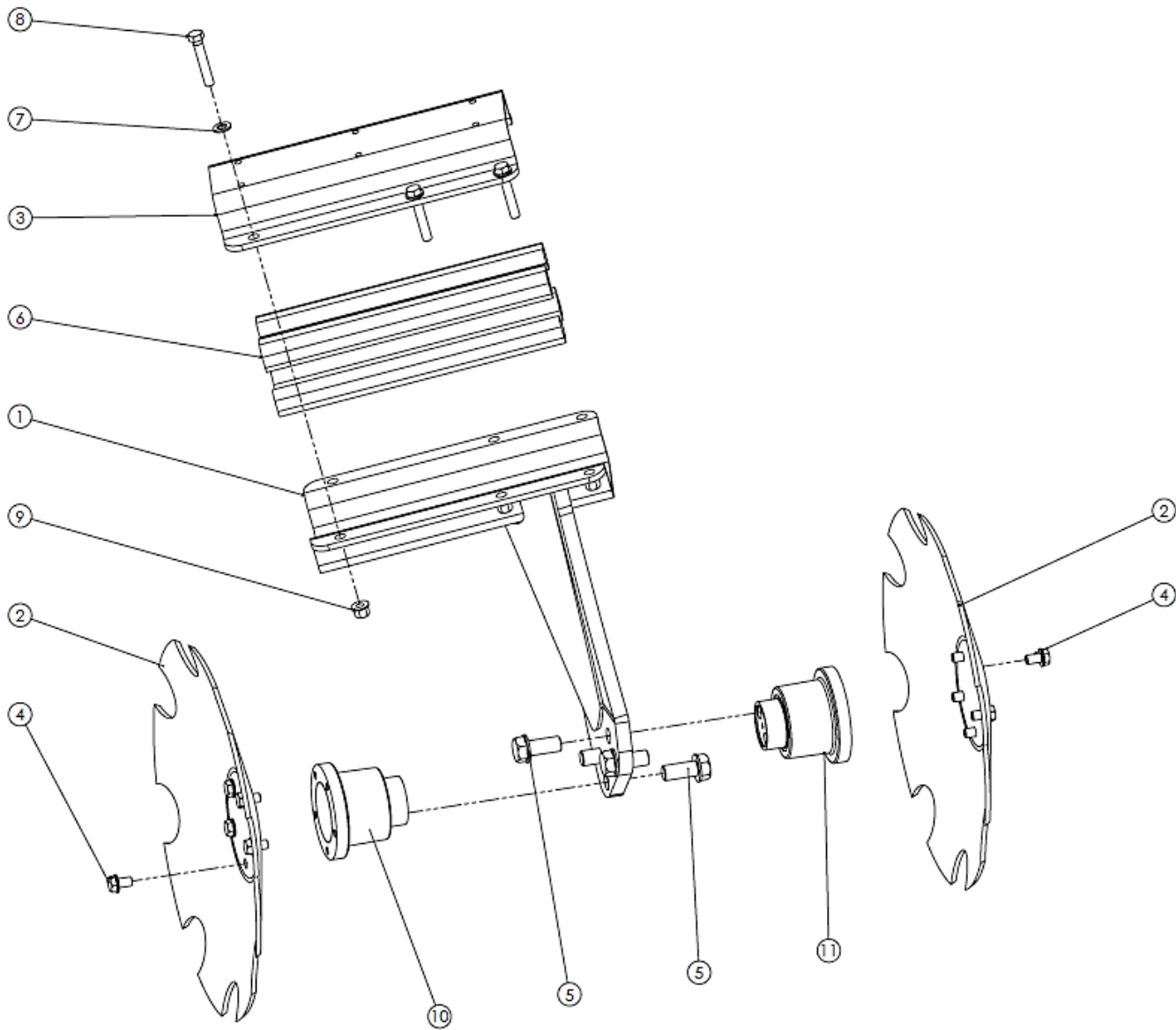
04616500 – Front Coulter, EXLG, Double Unit, 20" Blade



04616500 – Front Coulter, EXLG, Double Unit, 20'' Blade

| Item | Part Number | Description | Qty. | Notes |
|------|-------------|---|------|------------------------------|
| 1 | 04611200 | Coulter Arm EXLG, Front | 1 | |
| 2 | 04515810 | COULTER ARM MOUNT, PAINTED | 1 | |
| 3 | 04559503 | Blade, Notched, 520 X 6 NTT | 2 | |
| 4 | 00360414 | BOLT, FLANGE M12-1.75 X 20 GR. 10.9 | 10 | |
| 5 | 04599610 | Rubber Cord, 15.375" x 1.6" | 4 | |
| 6 | M5A12000 | Washer, Flat, M12, DIN125, ZN | 6 | |
| 7 | M1H12070 | Bolt, Hex, M12-1.75x70, DIN933, 10.9, YZN | 6 | |
| 8 | 00350084 | Nut, Flange, M12-1.75 10.9 GEOM 321 A | 6 | |
| 9 | 00360195 | Bolt, Flange M20-2.5X45 DIN158 10.9 LOC | 4 | |
| 10 | 28077900 | Hub Unit LH Joker RT, 6xM12 L=106 | 1 | See 28077900 |
| 11 | 28077800 | Hub Unit RH Joker RT, 6xM12 L=106 | 1 | See 28077800 |

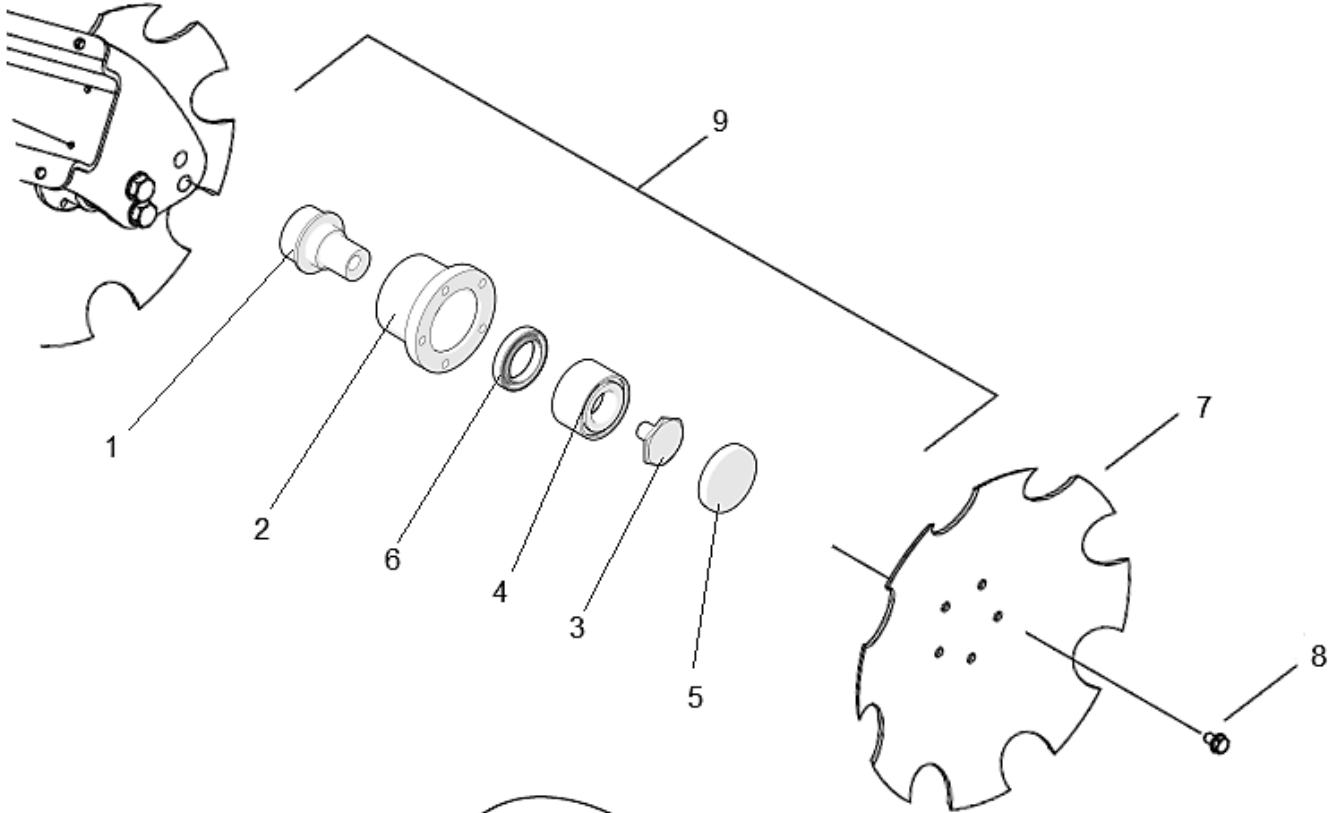
04616700 – Rear Coulter, EXLG, Double Unit, 20” Blade



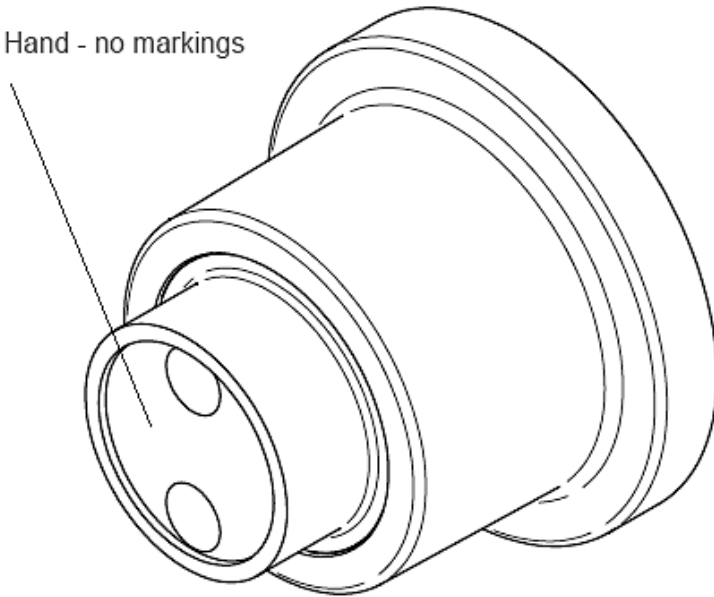
04616700 – Rear Coulter, EXLG, Double Unit, 20” Blade

| Item | Part Number | Description | Qty. | Notes |
|------|-------------|--|------|------------------------------|
| 1 | 04611300 | Coulter Arm EXLG, Back | 1 | |
| 2 | 04559503 | Blade, Notched, 520 X 6 NTT | 2 | |
| 3 | 04515810 | COULTER ARM MOUNT, PAINTED | 1 | |
| 4 | 00360414 | BOLT, FLANGE M12-1.75 X 20 GR. 10.9 | 10 | |
| 5 | 00360195 | Bolt, Flange M20-2.5X45 DIN158 10.9 LOC | 4 | |
| 6 | 04599610 | Rubber Cord, 15.375" x 1.6" | 4 | |
| 7 | M5A12000 | Washer, Flat, M12, DIN125, ZN | 6 | |
| 8 | M1H12070 | Bolt, Hex, M12-1.75x70, DIN933, 10.9, YZN | 6 | |
| 9 | 00350084 | Nut, Flange, M12-1.75 10.9 GEOM 321 A | 6 | |
| 10 | 28077800 | Hub Unit RH Joker RT, 6xM12 L=106 | 1 | See 28077800 |
| 11 | 28077900 | Hub Unit LH Joker RT, 6xM12 L=106 | 1 | See 28077900 |

28077800 – Hub Unit, Joker Disc Blade – Right Hand



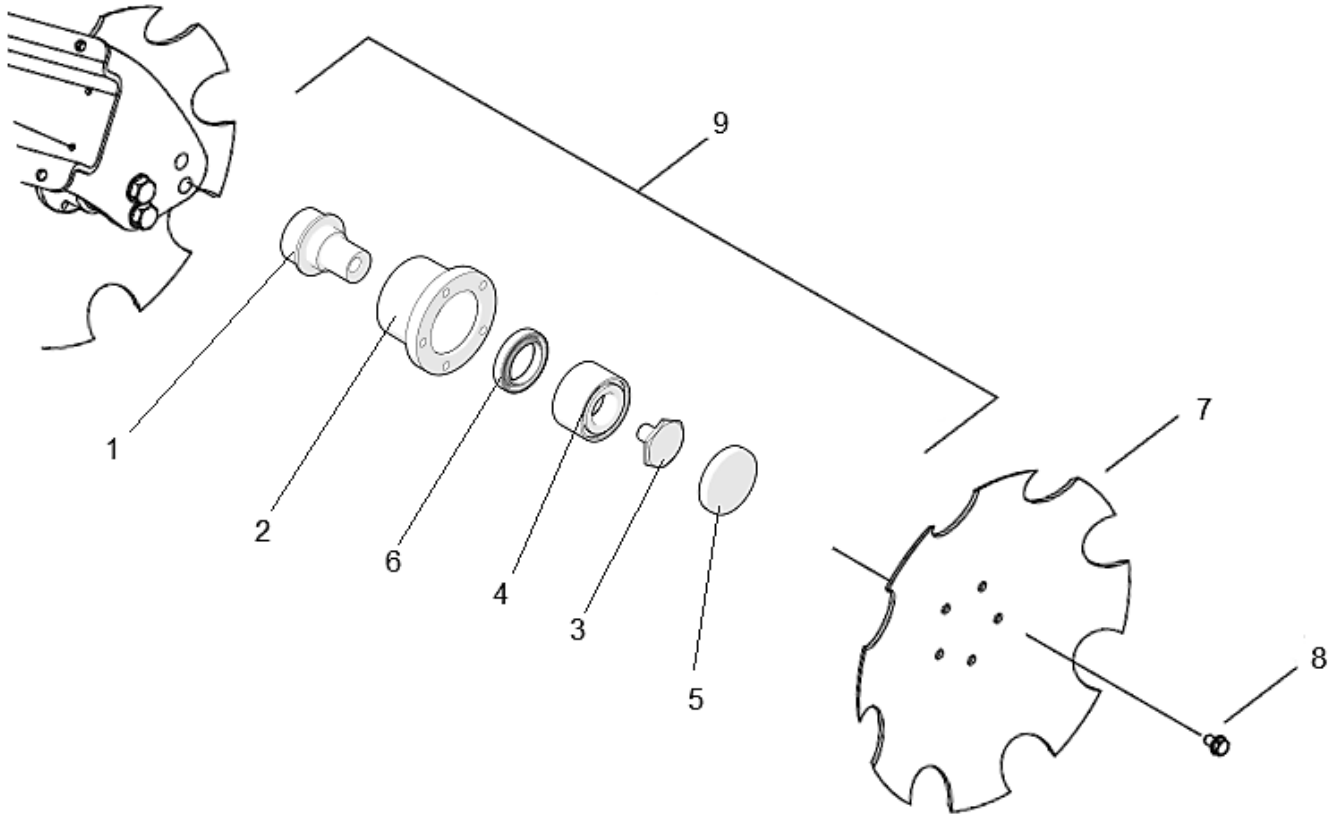
Right Hand - no markings



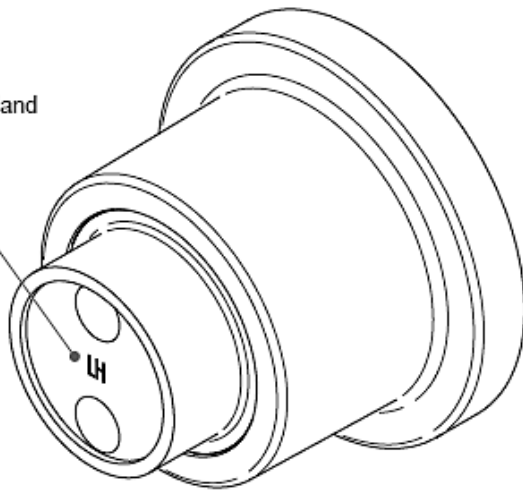
28077800 – Hub Unit, Joker Disc Blade – Right Hand

| Item | Part Number | Description | Qty. | Notes |
|------|-------------|---|------|----------------|
| 1 | 28077801 | Axle stub, Joker RT - RH Thread | 1 | |
| 2 | 28077802 | Hub, Joker RT | 1 | |
| 3 | 28283504 | Safety Screw, HD GLRD - RH Thread | 1 | |
| 4 | 00240209 | Taper Roller Bearing, FAG F-586741.TR2-DY-W61 | 1 | |
| 5 | 28071303 | Sealing Cap, Joker RT GLRD | 1 | |
| 6 | 00270367 | Seal Ring, 50x75x13.0/14.5 | 1 | |
| 7 | 04559503 | Blade, Notched, 520 x 6 NTT | 1 | |
| 8 | 00360414 | Bolt, Flange, M12-1.75x20, Gr.10.9 | 5 | |
| 9 | 28077800 | Hub Unit, Joker Disc Blade - Right Hand | 1 | |
| 10 | - | Grease, TECTROL MULTI-GREASE RED, NLGI 2, Lithium Calcium | 1 | Source Locally |

28077900 – Hub Unit, Joker Disc Blade – Left Hand



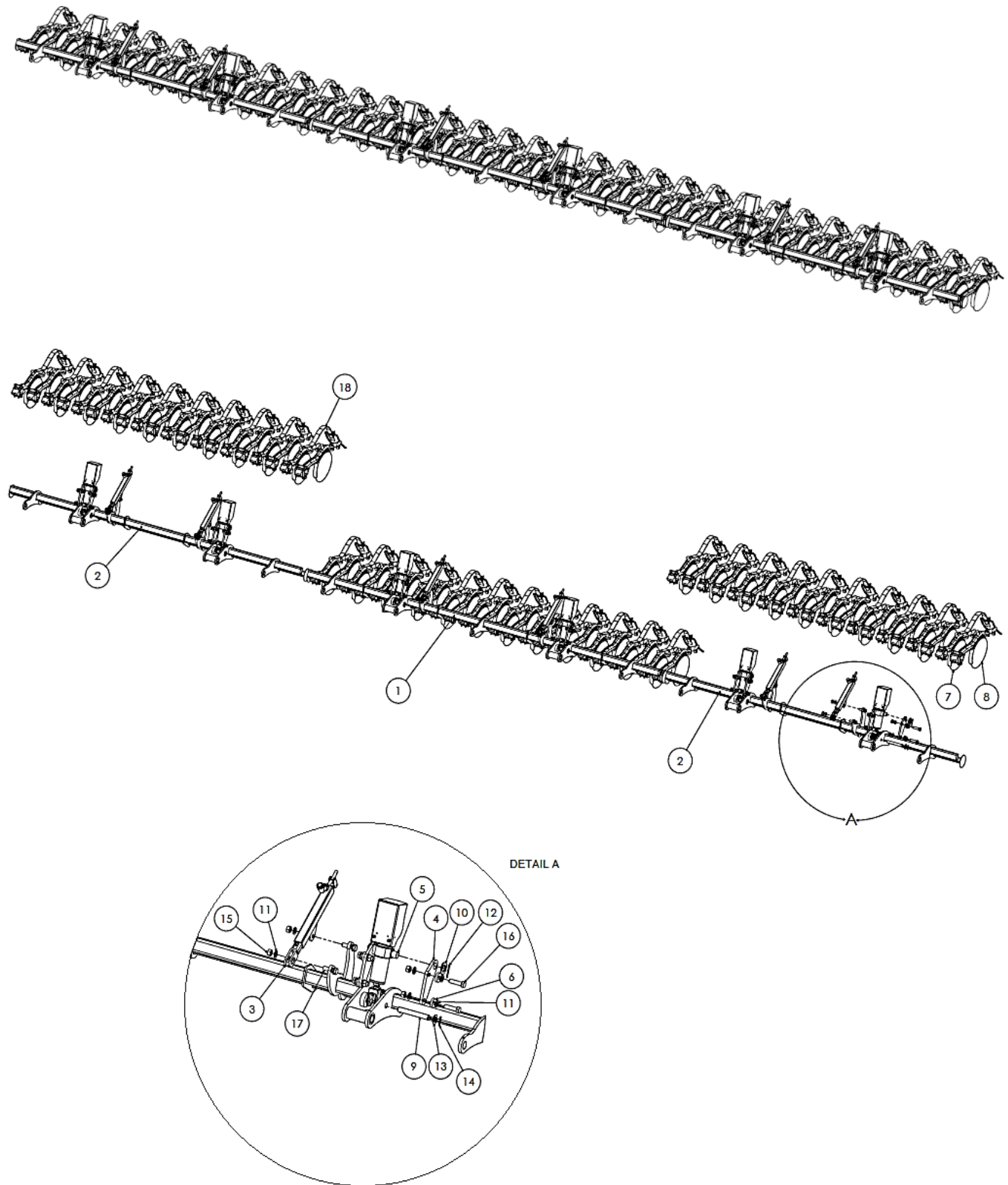
"LH" = Left Hand



28077900 – Hub Unit, Joker Disc Blade – Left Hand

| Item | Part Number | Description | Qty. | Notes |
|------|-------------|---|------|----------------|
| 1 | 28077901 | Axle stub, Joker RT - LH Thread | 1 | |
| 2 | 28077802 | Hub, Joker RT | 1 | |
| 3 | 28283604 | Safety Screw, HD GLRD - LH Thread | 1 | |
| 4 | 00240209 | Taper Roller Bearing, FAG F-586741.TR2-DY-W61 | 1 | |
| 5 | 28071303 | Sealing Cap, Joker RT GLRD | 1 | |
| 6 | 00270367 | Seal Ring, 50x75x13.0/14.5 | 1 | |
| 7 | 04559503 | Blade, Notched, 520 x 6 NTT | 1 | |
| 8 | 00360414 | Bolt, Flange, M12-1.75x20, Gr.10.9 | 5 | |
| 9 | 28077900 | Hub Unit, Joker Disc Blade - Left Hand | 1 | |
| 10 | - | Grease, TECTROL MULTI-GREASE RED, NLGI 2, Lithium Calcium | 1 | Source Locally |

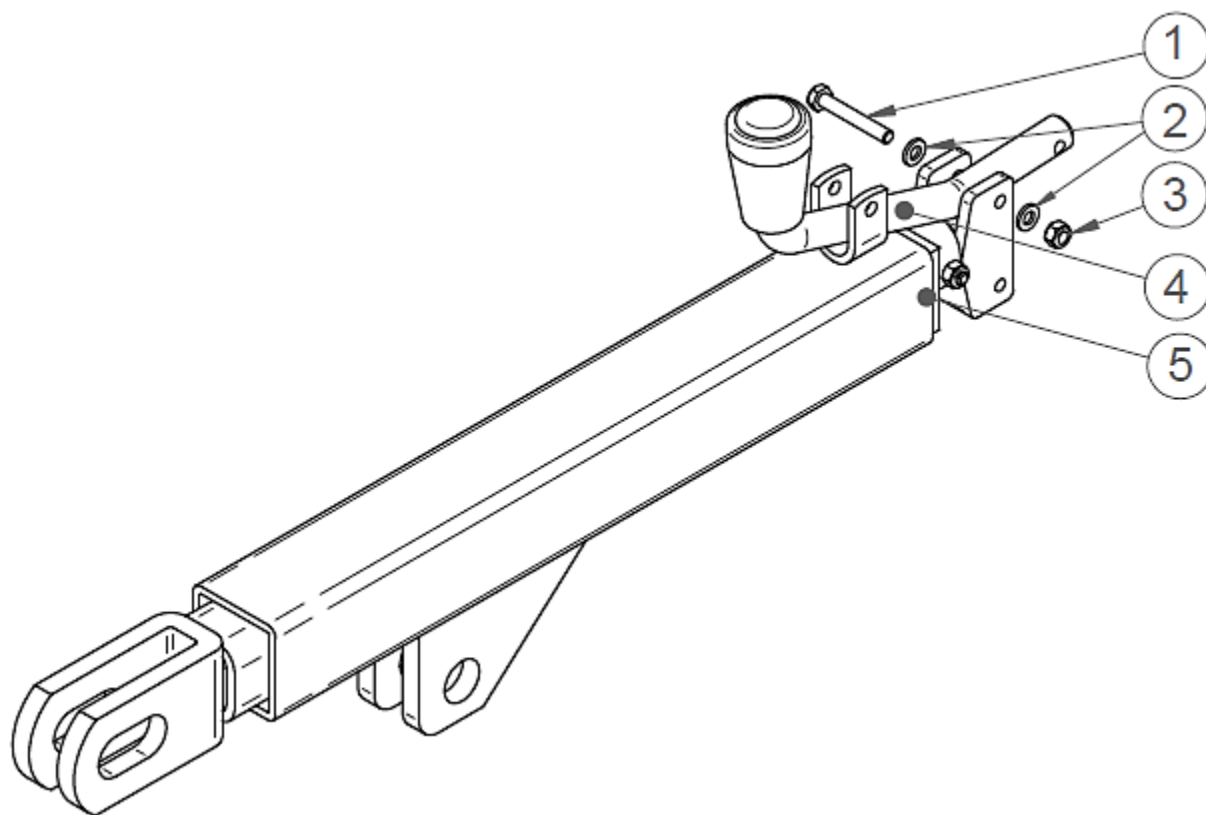
04335500 – Opener Assembly, Pronto 40 DC



04335500 – Opener Assembly, Pronto 40 DC

| Item | Part Number | Description | Qty. | Notes |
|------|-------------|---|------|------------------------------|
| 1 | 04330400 | Opener Mount Weldment Main | 1 | |
| 2 | 04330450 | Opener Mount Weldment Wing | 2 | |
| 3 | 23472300 | Adjustment Crank | 6 | See 23472300 |
| 4 | 04330499 | Opener Cylinder Mount Plate | 12 | |
| 5 | - | Opener Cylinder Assy, Pronto | 6 | See 04335501 |
| 6 | 04330496 | Spacer, 2"/20.5mm--12mm | 24 | |
| 7 | 04335503 | Turbo Disc Assy, Short | 32 | See 04335503 |
| 8 | 04335502 | Turbo Disc Assy, Long | 32 | See 04335502 |
| 9 | 04330495 | Pin, Opener Cylinder | 6 | |
| 10 | M5A36000 | Washer, Flat, M36, DIN125, ZN | 12 | |
| 11 | M5A20000 | Washer, Flat, M20, DIN125, ZN | 72 | |
| 12 | S6G04020 | Cotter Pin, 1/4" x 2.5", ZN | 12 | |
| 13 | S5A16000 | Washer, Flat, 1", SAE, ZN | 12 | |
| 14 | 61008105 | Pin, Cotter 1/4" x 1-1/2" ZN | 12 | |
| 15 | M3C20000 | Nut, Nylock, M20-2.5, DIN985, Cl. 8, ZN | 36 | |
| 16 | M1A20080 | Bolt, Hex, M20-2.5x80, DIN931, 8.8, ZN | 24 | |
| 17 | M1A20070 | Bolt, Hex, M20-2.5x70, DIN931, 8.8, ZN | 12 | |
| 18 | 23046200 | Harrow Tine, Turbo Disc II 150mm | 32 | See 23046200 |
| 19 | 23046300 | Harrow Tine, TurboDisc II, Single Left | 1 | See 23046300 |

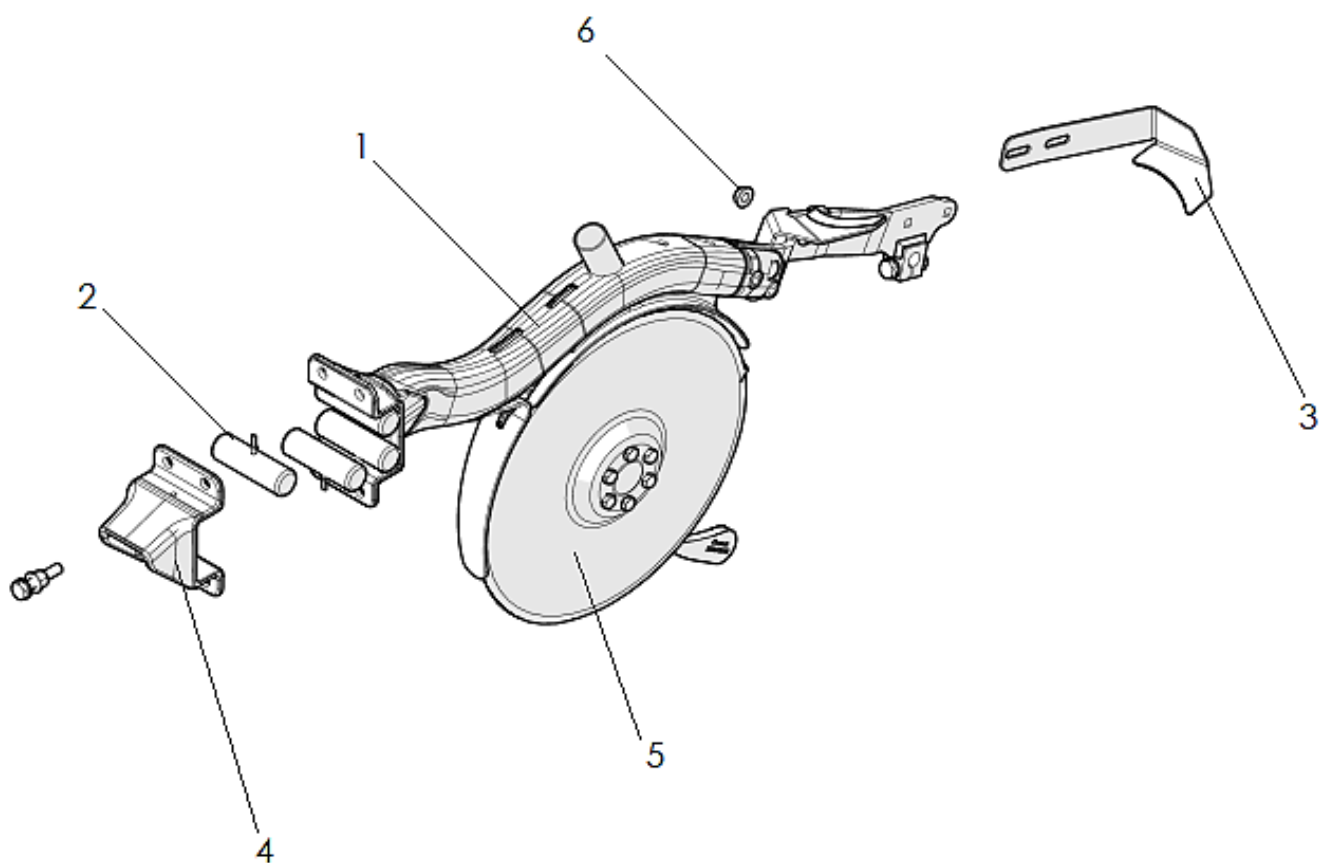
23472300 – Adjustment Crank



23472300 – Adjustment Crank

| Item | Part Number | Description | Qty. | Notes |
|------|-------------|---|------|-------|
| 1 | 00360622 | Bolt, Hex, M6-1.0x40, DIN931, 10.9, GEOM 321A | 2 | |
| 2 | M5A06000 | Washer, Flat, M6, DIN125, ZN | 4 | |
| 3 | M3C06000 | Nut, Nylock, M6-1.0, DIN985, Cl.8, ZN | 2 | |
| 4 | 00310953 | Hand lever cpl. for crank 23472300 | 1 | |
| 5 | 00170173 | Fender Washer, 40x20.4x1 GEOM 321A | 1 | |

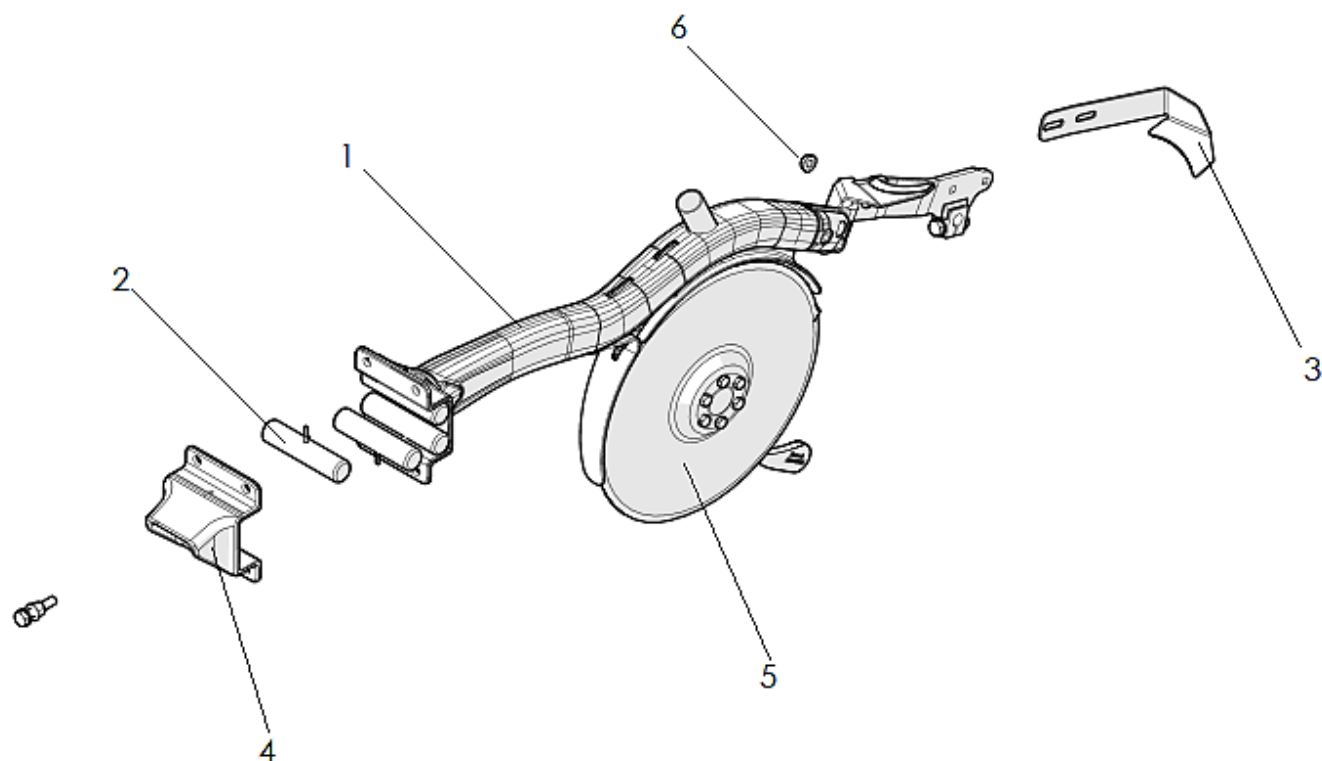
04335503 – TurboDisc II Assembly, Short



04335503 – TurboDisc II Assembly, Short

| Item | Part Number | Description | Qty. | Notes |
|------|-------------|--------------------------------|------|------------------------------|
| 1 | 23044100 | Coulter Frame Short TD II | 1 | |
| 2 | 00200165 | Rubber, D28-90 | 4 | |
| 3 | 04335504 | Rear Scraper, Press Wheel | 1 | |
| 4 | 23044001 | Stop Lug 90mm Forged | 1 | |
| 5 | - | Mounting TurboDisc II | 1 | See 23045200 |
| 6 | M3H10000 | Nut, Flange, M10-1.5, ZN, Cl.8 | 2 | |

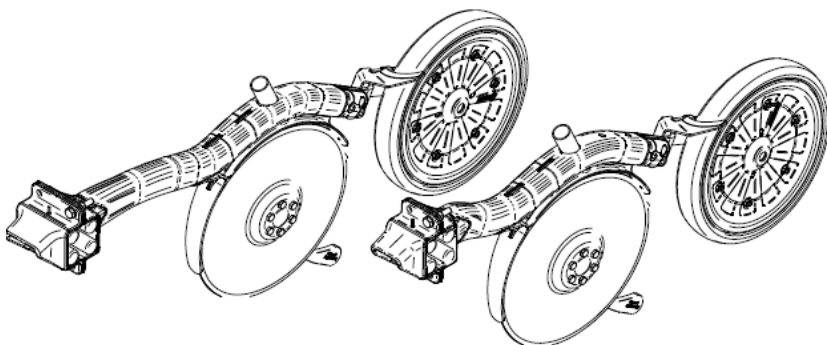
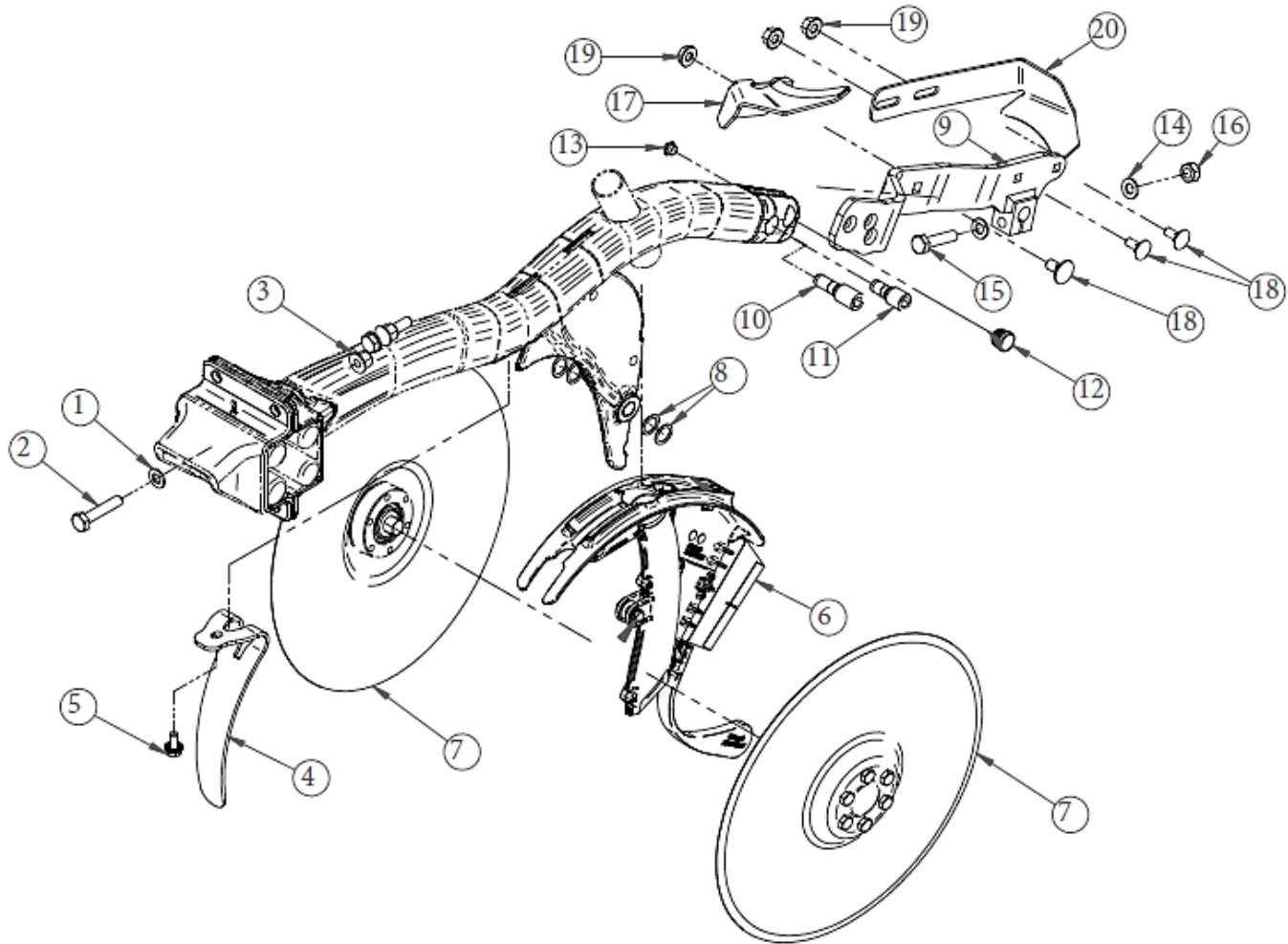
04335502 – TurboDisc II Assembly, Long



04335502 – TurboDisc II Assembly, Long

| Item | Part Number | Description | Qty. | Notes |
|------|-------------|--------------------------------|------|------------------------------|
| 1 | 23045100 | Coulter Frame Long TD II | 1 | |
| 2 | 00200166 | Rubber, D28-120 | 4 | |
| 3 | 04335504 | Rear Scraper, Press Wheel | 1 | |
| 4 | 23045001 | Stop Lug 120mm Forged | 1 | |
| 5 | - | Mounting TurboDisc II | 1 | See 23045200 |
| 6 | M3H10000 | Nut, Flange, M10-1.5, ZN, Cl.8 | 2 | |

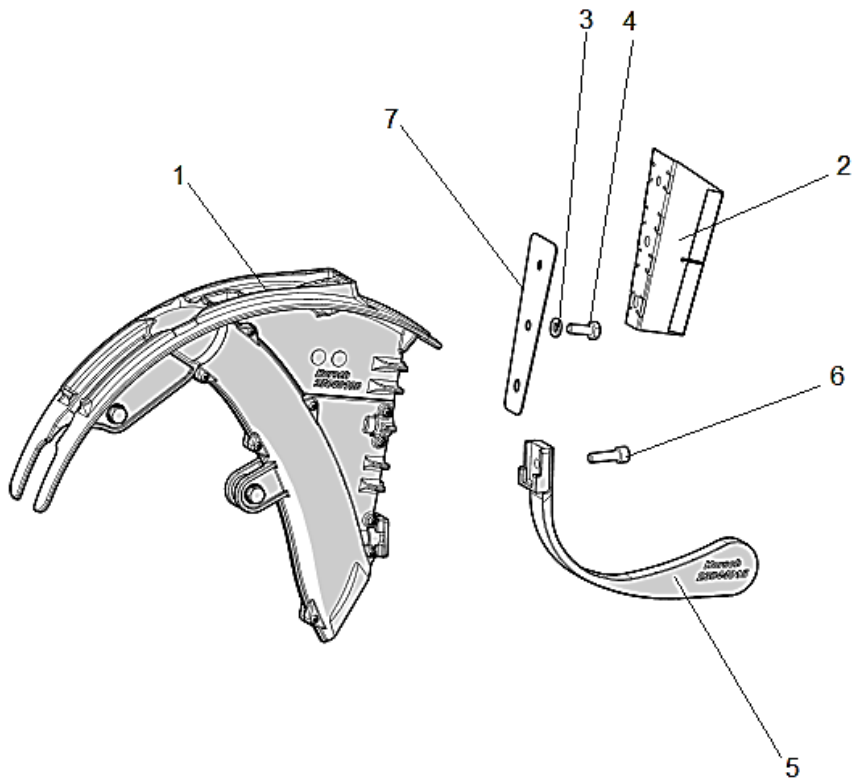
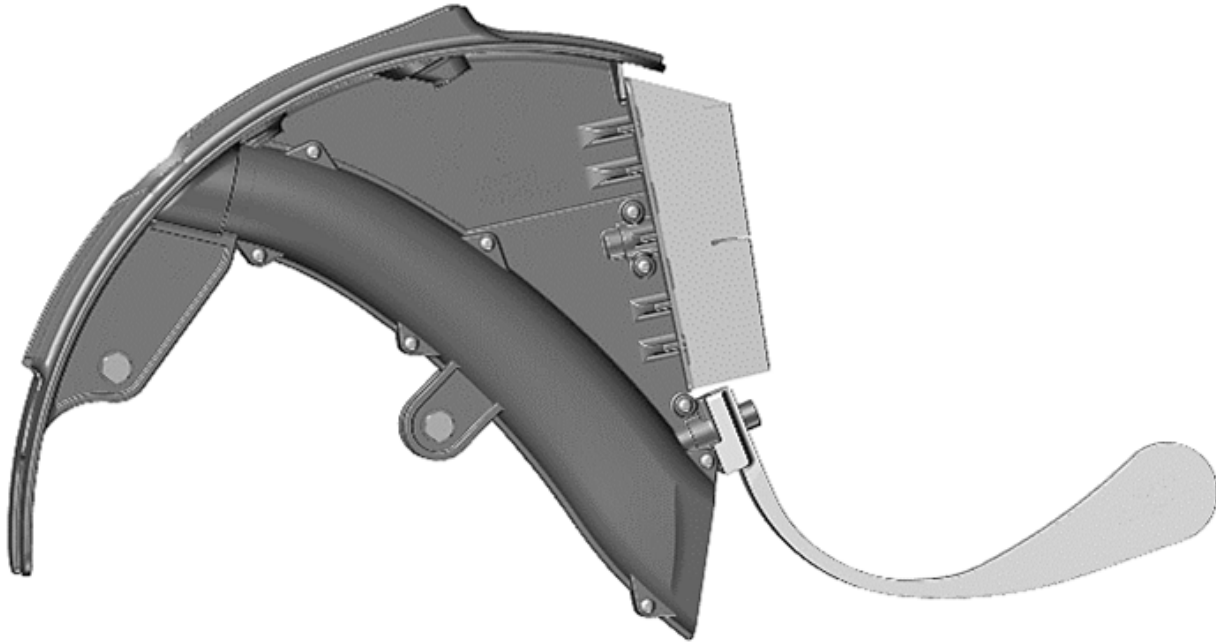
23045200 – Mounting, TurboDisc II



23045200 – Mounting, TurboDisc II

| Item | Part Number | Description | Qty. | Notes |
|------|-------------|---|------|------------------------------|
| 1 | M5A10000 | Washer, Flat, M10, DIN125, ZN | 4 | |
| 2 | M1A10050 | Bolt, Hex, M10-1.5x50, DIN931, 8.8, ZN | 4 | |
| 3 | 00350106 | Flange Nut M10 10. GEOM 321 A | 4 | |
| 4 | 23044002 | Hood TurboDisc II | 1 | |
| 5 | M1A08016 | Bolt, Hex, M8-1.25x16, DIN933, 8.8, ZN | 1 | |
| 6 | - | Seed Tube TD II + seed closer + scraper | 1 | See 23045300 |
| 7 | 23010200 | Coulter Disc Assy, D340-2.5 arced w/ Bearing | 2 | See 23010200 |
| 8 | 00230103 | Adjusting Washer, Shim 16 x 22 x 1 | 4 | |
| 9 | 23044300 | Arm, Press Wheel 5cm/7.5cm | 1 | |
| 10 | 23044004 | Bolt, Socket, M12x29 spec.10.9 GEO | 1 | |
| 11 | 23044005 | Bolt, Socket, M12x22 spec.10.9 GEO | 1 | |
| 12 | 00200241 | Plug ø 20, tube inside ø 16-18 mm | 1 | |
| 13 | 00200112 | Plug for drillhole 11mm | 1 | |
| 14 | M5A10000 | Washer, Flat, M10, DIN125, ZN | 2 | |
| 15 | M1A10045 | Bolt, Hex, M10-1.5x45, DIN931, 8.8, ZN | 1 | |
| 16 | M3C10000 | Nut, Nylock, M10-1.5, DIN985, Cl.8, ZN | 1 | |
| 17 | 23044011 | Scraper press wheel front HM TD II | 1 | |
| 18 | M1F10020 | Bolt, Carriage, M10-1.5x20, 8.8, ZN | 1 | |
| 19 | M3H10000 | Nut, Flange, M10-1.5, ZN, Cl.8 | 1 | |
| 20 | 04335504 | Rear Scraper, Press Wheel | 1 | |

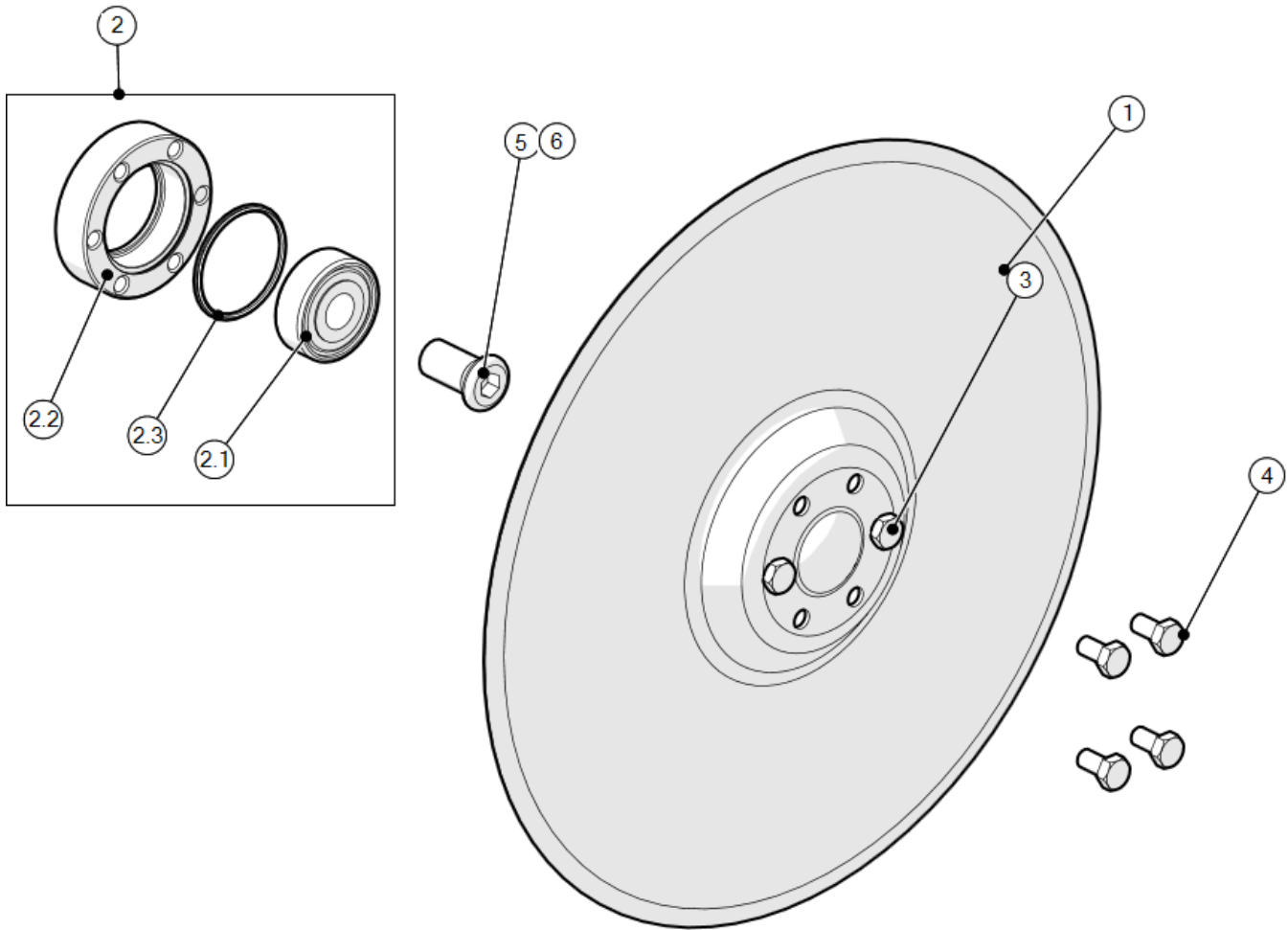
23045300 – Seed Tube Assembly w/ Seed Closer & Scraper



23045300 – Seed Tube Assembly w/ Seed Closer & Scraper

| Item | Part Number | Description | Qty. | Notes |
|------|-------------|---------------------------------------|------|-------|
| 1 | 23046100 | Seed Tube, TurboDisc II | 1 | |
| 2 | 23044200 | Scraper coulter TurboDisc II | 1 | |
| 3 | M5J06000 | WASHER, FLAT, M6, DIN 125, A2, SS | 1 | |
| 4 | M1A06016 | Bolt, Hex, M6-1.0x16, DIN933, 8.8, ZN | 1 | |
| 5 | 23044015 | Seed closer DS II as of 10.05.2016 | 1 | |
| 6 | 00370183 | Screw, Allen Head M6 x 20 8.8 gv. | 1 | |
| 7 | 95144153 | Stop plate for scraper 23044200 | 1 | |

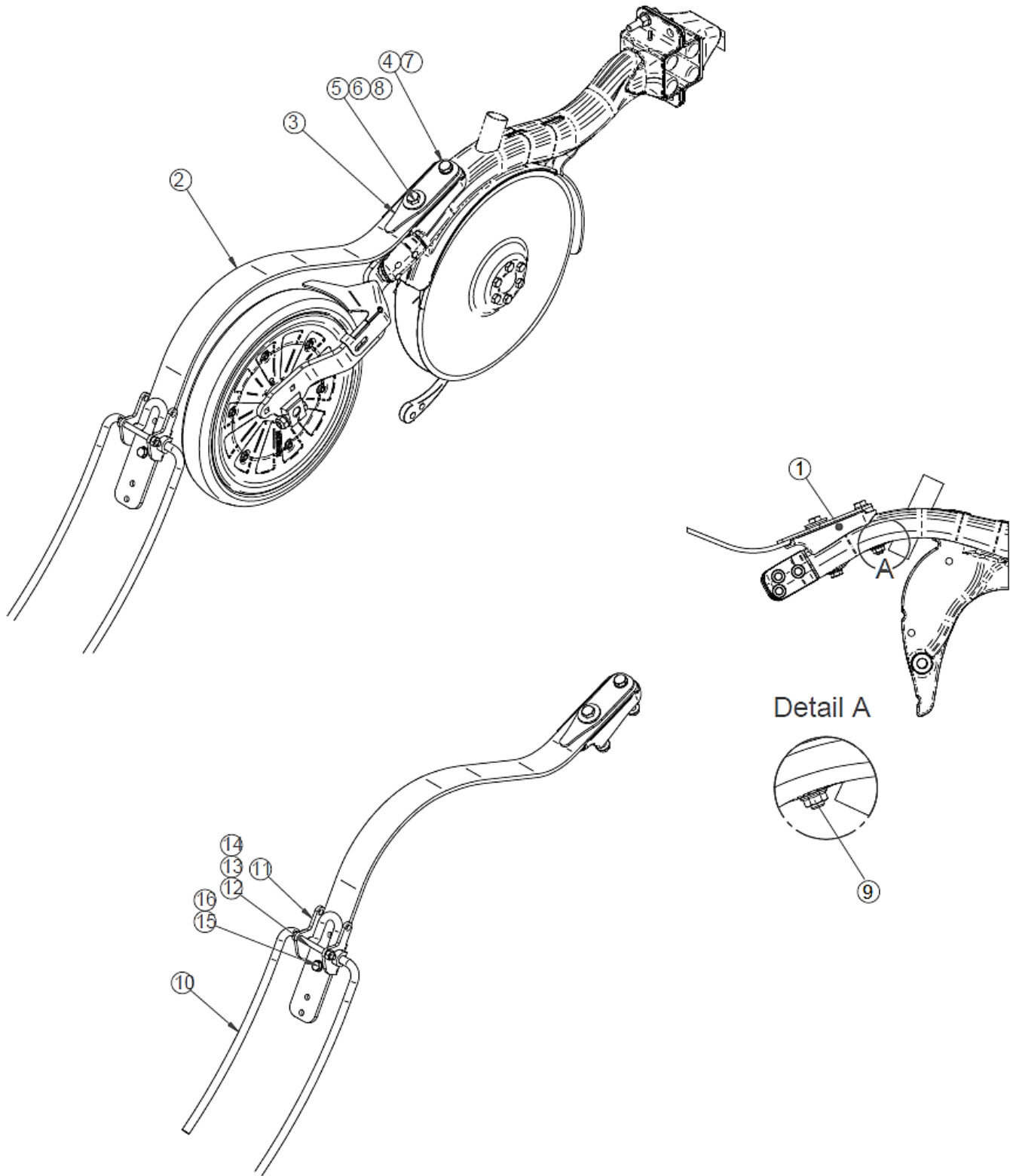
23010200 – Coulter Disc Assy, D340-2.5mm w/ Bearing



23010200 – Coultter Disc Assy, D340-2.5mm w/ Bearing

| Item | Part Number | Description | Qty. | Notes |
|------|-------------|--|------|-------|
| 1 | 23010201 | Coultter Disc, 340x2.5 | 1 | |
| 2 | 23010300 | Bearing Assembly, Coultter TurboDisc | 1 | |
| 2.1 | 00240199 | Bearing Disc, D340 TurboDisc Fafnir | 1 | |
| 2.2 | 23010202 | Bearing Shell, Disc D340-6x M8 | 1 | |
| 2.3 | 23010301 | Seal Ring, Coultter TD340 | 1 | |
| 3 | 23010203 | BOLT, M8-1.25X13 CONE HHCS 10.9 ZIN | 2 | |
| 4 | 00360363 | BOLT, M8-1.25X16 HHCS DIN 933 10.9 | 4 | |
| 5 | 23010204 | BOLT, OPENER DISK M16-1.5X30 RH | 1 | |
| 6 | 23010205 | BOLT, OPENER DISK M16-1.5X30 LH | 1 | |

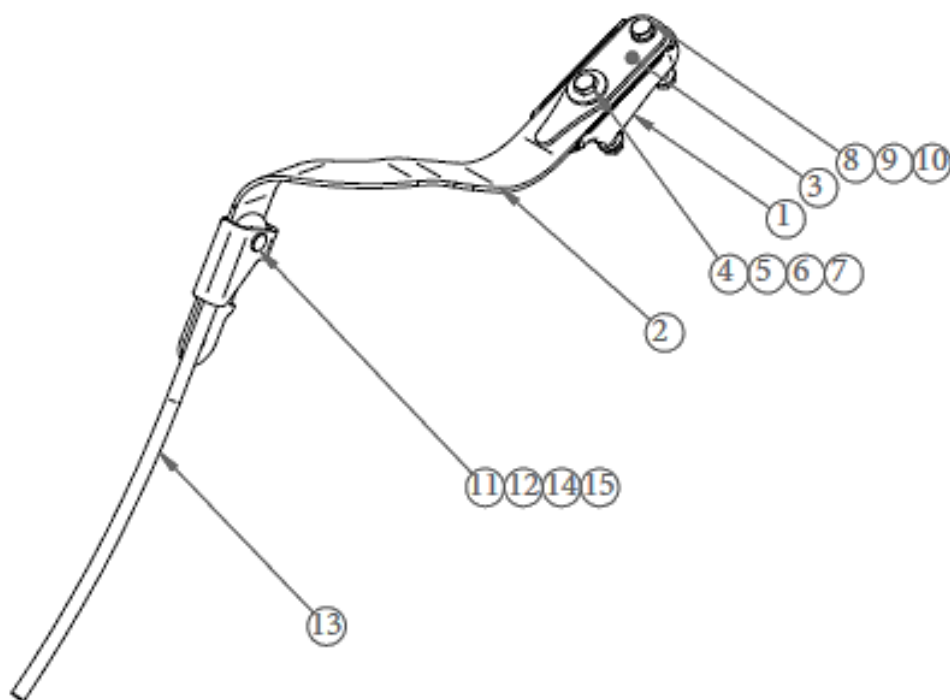
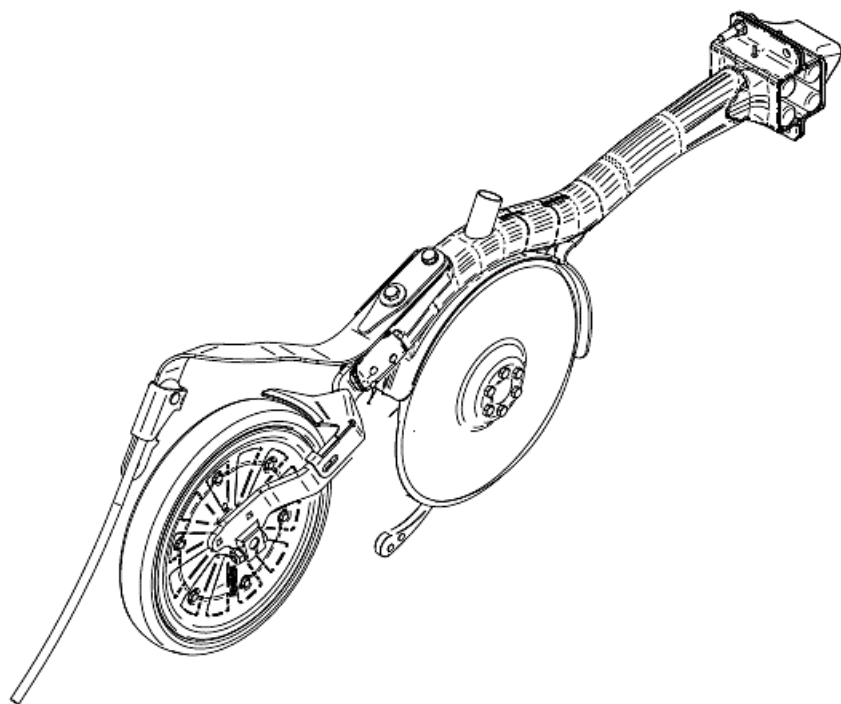
23046200 – Harrow Tine, Turbo Disc II, Dual 150mm



23046200 – Harrow Tine, Turbo Disc II, Dual 150mm

| Item | Part Number | Description | Qty. | Notes |
|------|-------------|--|------|-------|
| 1 | 23046201 | Intersection Harrow TurboDisc II | 1 | |
| 2 | 23046202 | Harrow Curved Leaf Spring TurboDisc II | 1 | |
| 3 | 23046203 | Reinforcing Plate, Leaf Spring DC II | 1 | |
| 4 | M5A10000 | Washer, Flat, M10, DIN125, ZN | 1 | |
| 5 | 05950012 | Washer, M10 x M30, Fender, Zinc | 1 | |
| 6 | 33600006 | Rubber ring D= 30x 5 n.ZN 33600006 | 1 | |
| 7 | 00360030 | Bolt, Hex, M10-1.5x75, DIN931, 8.8, ZN | 1 | |
| 8 | M1A10085 | Bolt, Hex, M10-1.5x85, DIN931, 8.8, ZN | 1 | |
| 9 | M3H10000 | Nut, Flange, M10-1.5, ZN, Cl.8 | 1 | |
| 10 | 23250303 | Tine 150 mm | 1 | |
| 11 | 23250700 | Holding Clamp for tine | 1 | |
| 12 | M1A08075 | Bolt, Hex, M8-1.25x75, DIN931, 8.8, ZN | 1 | |
| 13 | M3C08000 | Nut, Nylock, M8-1.25, DIN985, Cl.8, ZN | 1 | |
| 14 | M5A08000 | Washer, Flat, M8, DIN125, ZN | 1 | |
| 15 | M1A08025 | Bolt, Hex, M8-1.25x25, DIN933, 8.8, ZN | 1 | |
| 16 | 00280428 | Cap Nut, Acorn, M8-1.25, DIN986, ZN | 1 | |

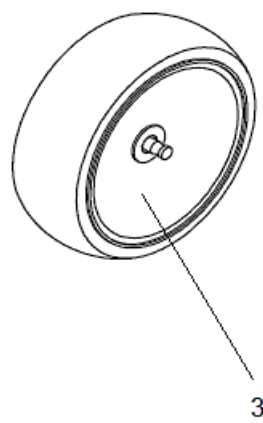
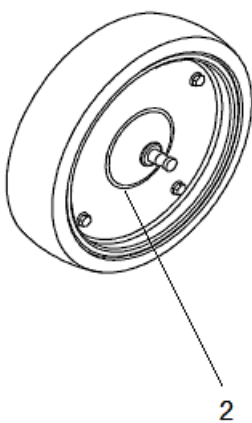
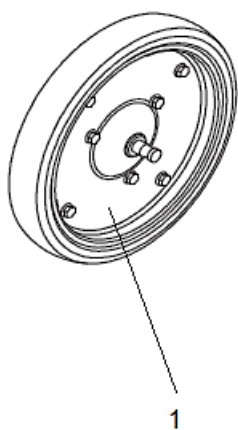
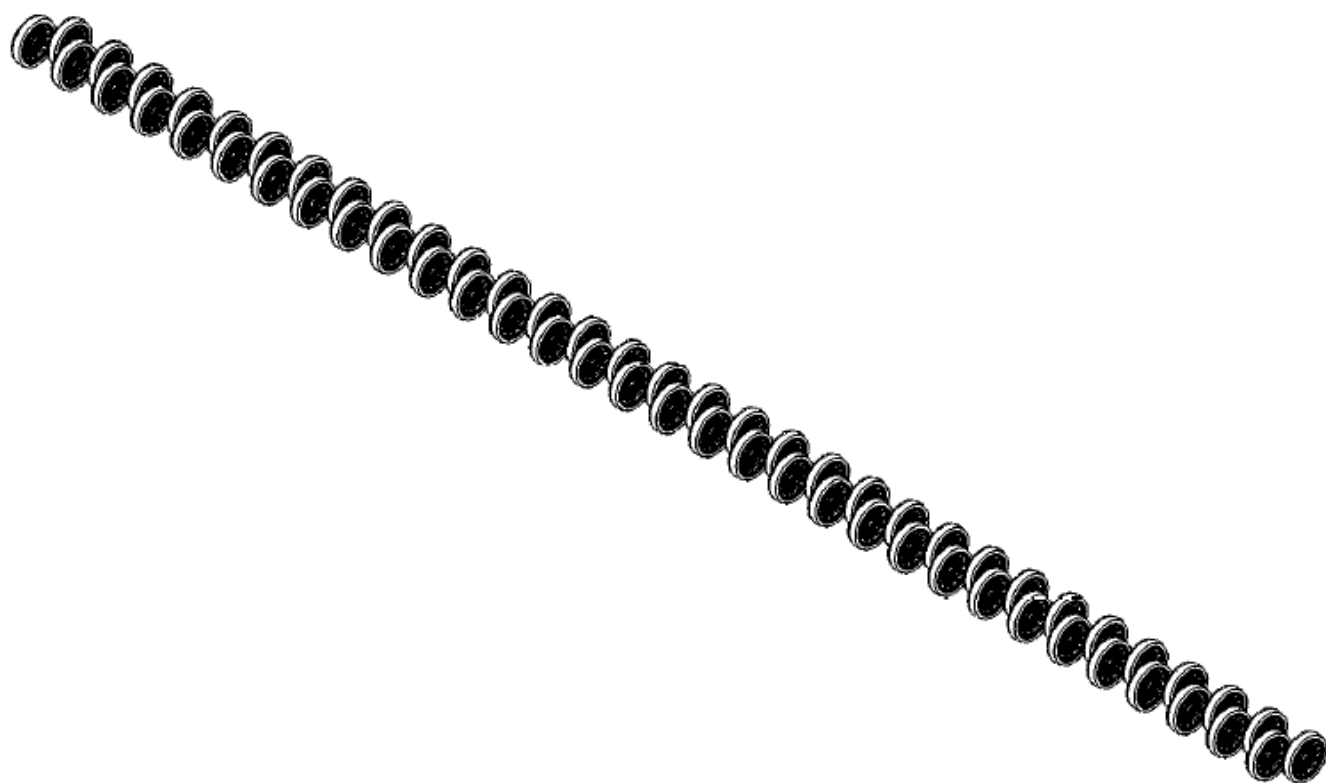
23046300 – Harrow Tine, Turbo Disc II, Single Left



23046300 – Harrow Tine, Turbo Disc II, Single Left

| Item | Part Number | Description | Qty. | Notes |
|------|-------------|---|------|-------|
| 1 | 23046201 | Intersection Harrow TurboDisc II | 1 | |
| 2 | 23046301 | Harrow Curved Leaf Spring TurboDisc II Left | 1 | |
| 3 | 23046203 | Reinforcing Plate, Leaf Spring DC II | 1 | |
| 4 | 33600006 | Rubber ring D= 30x 5 n.ZN 33600006 | 1 | |
| 5 | 00370117 | Washer, Flat, SS, 3/8 x 1-1/4 x .050 | 1 | |
| 6 | M1A10085 | Bolt, Hex, M10-1.5x85, DIN931, 8.8, ZN | 1 | |
| 7 | 23046302 | Collar nut M 10 f.harrow TD II gv. | 1 | |
| 8 | M5A10000 | Washer, Flat, M10, DIN125, ZN | 1 | |
| 9 | M1A10070 | Bolt, Hex, M10-1.5x70, Cl.8.8, ZN | 1 | |
| 10 | M3H10000 | Nut, Flange, M10-1.5, ZN, Cl.8 | 1 | |
| 11 | 23251007 | Clamping tab for harrow tine TD left | 1 | |
| 12 | 23251008 | Bushing Ø 15 x 2.4 - 13 galv. | 1 | |
| 13 | 23251006 | Harrow tine outside for TurboDisc | 1 | |
| 14 | M5A10000 | Washer, Flat, M10, DIN125, ZN | 1 | |
| 15 | M3C10000 | Nut, Nylock, M10-1.5, DIN985, Cl.8, ZN | 1 | |

Press Wheel Options, Pronto DC



Press Wheel Options, Pronto DC

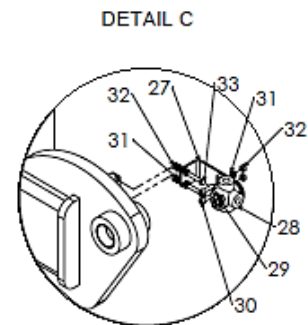
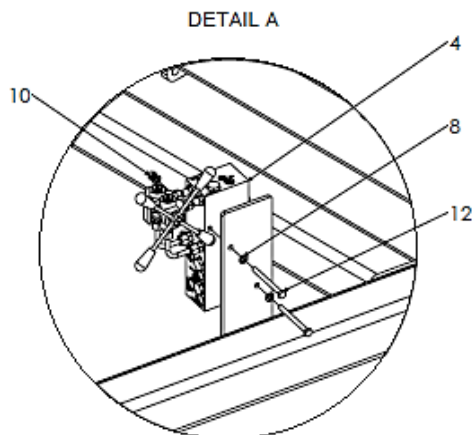
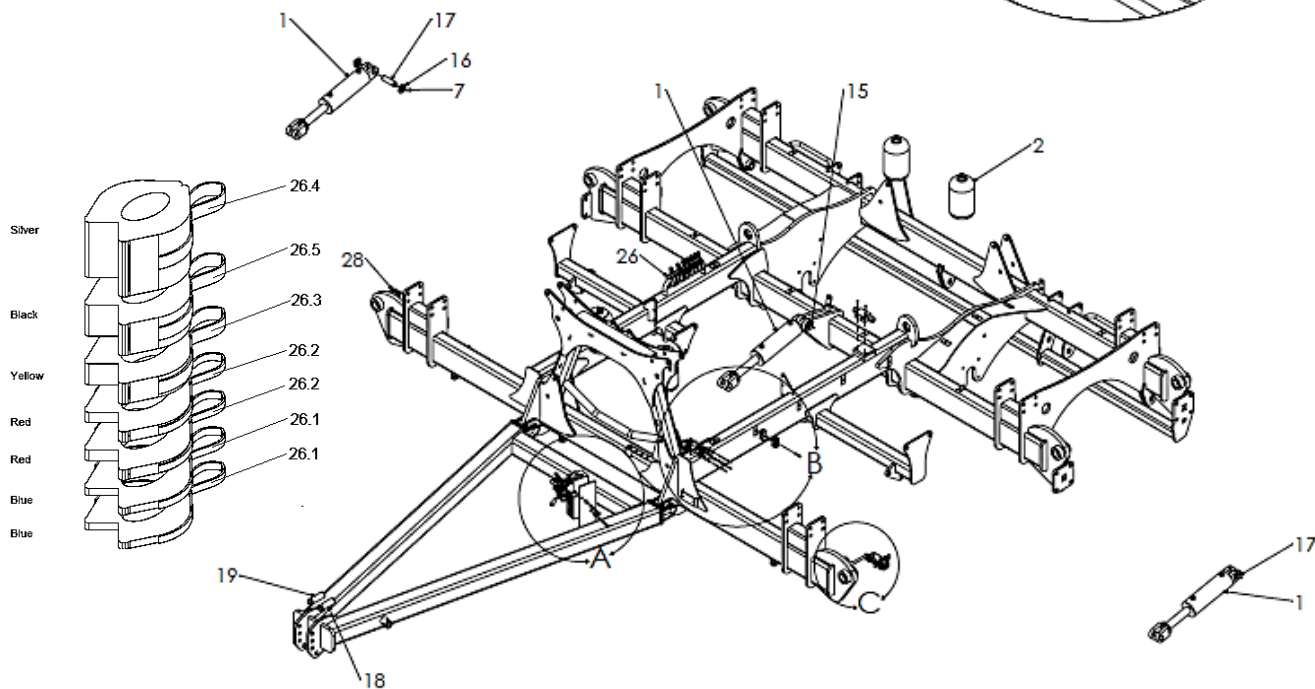
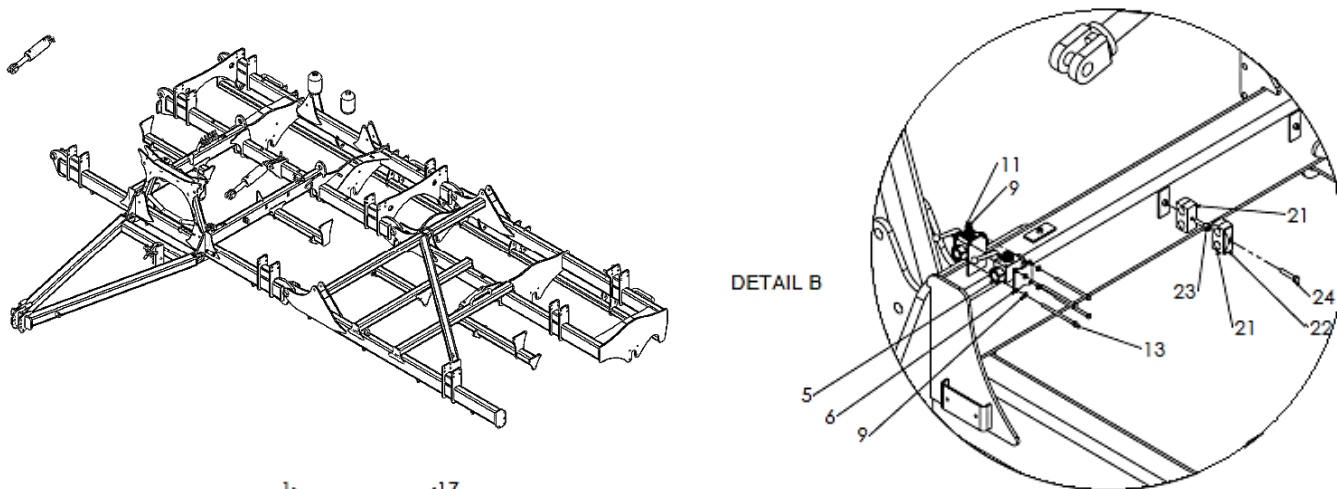
| Item | Part Number | Description | Qty. | Notes |
|------|-------------|--|------|-------|
| 1 | 00310101 | PRESS WHEEL WITH BEARING - 5 CM | 1 | |
| 2 | 00311211 | PRESS WHEEL W/ BEARING D340X75 - 7.5 CM | 1 | |
| 3 | 00310443 | PRESS WHEEL WITH BEARING 4"X12" AS - 10 CM | 1 | |

**Quantity 64 needed for complete Pronto 40 DC machine.*

Notes:

Section 6 – Hydraulics

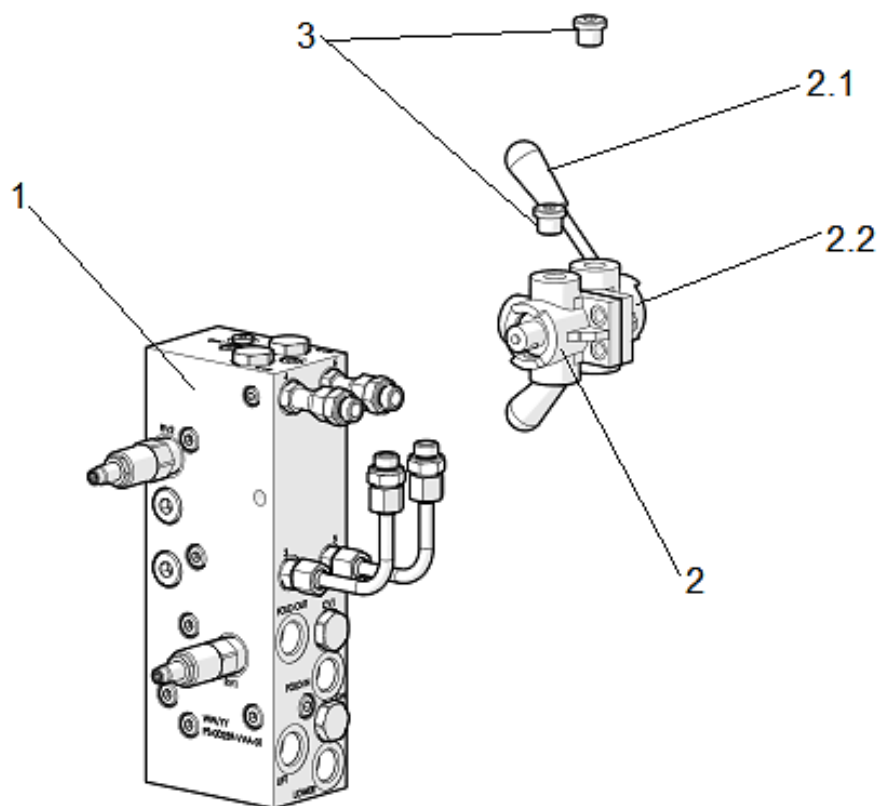
04335900 – Hydraulics, Pronto 40 DC



04335900 – Hydraulics, Pronto 40 DC

| Item | Part Number | Description | Qty. | Notes |
|------|-------------|--|------|------------------------------|
| 1 | 00130379 | CYLINDER 100-50-205, DA | 3 | |
| 1.1 | 00130393 | Seal Kit, 100-50 | 1 | Not Shown |
| 2 | 00110901 | Accumulator 3.5L 60 bar W/ Nut | 4 | |
| 2.1 | 00110875 | Nut, M45x1.5, for Pressure Reservoir | 1 | Not Shown |
| 3 | 00110664 | Dual Counter Valve, G1/2" | 1 | |
| 4 | - | Hyd. Valve, Pronto DC | 1 | See 04335910 |
| 5 | 05497110 | Ball Valve, FSAE-8, AE2S#8-11DB | 2 | |
| 6 | 04330198 | Ball Valve Mount Plate | 2 | |
| 7 | M6G08063 | Pin, Cotter, M8x63, DIN94, ZN | 6 | |
| 8 | M5A10000 | Washer, Flat, M10, DIN125, ZN | 4 | |
| 9 | M5A06000 | Washer, Flat, M6, DIN125, ZN | 12 | |
| 10 | M3C10000 | Nut, Nylock, M10-1.5, DIN985, Cl. 8, ZN | 2 | |
| 11 | M3C06000 | Nut, Nylock, M6-1.0, DIN985, Cl. 8, ZN | 6 | |
| 12 | M1A10110 | Bolt, Hex, M10-1.5x110, DIN931, 8.8, ZN | 2 | |
| 13 | M1A06100 | Bolt, Hex, M6-1.0x100, DIN931, 8.8, ZN | 4 | |
| 14 | M1A06055 | Bolt, Hex, M6-1.0x55, DIN931, 8.8, ZN | 2 | |
| 15 | 04330193 | Pin, 32-120, | 1 | |
| 16 | S5A20000 | Washer, Flat, 1-1/4", SAE, ZN | 6 | |
| 17 | 33783305 | BOLT 32-92 | 2 | |
| 18 | 04809502 | Hose Handle Hydra-Grip, GREEN, EXT/RET | 1 | Not Shown |
| 19 | 04809501 | Hose Handle Hydra-Grip, Yellow, EXT/RET | 1 | Not Shown |
| 20 | - | - | - | Not Listed |
| 21 | 04119502 | TWIN CLAMP, CUSHION 1/2" HOSE | 51 | |
| 22 | 04119503 | TWIN CLAMP, COVER PLATE 1/2" HOSE | 43 | |
| 23 | 04119504 | TWIN CLAMP, STACKING BOLT 1/2" HOSE | 8 | |
| 24 | S1A05014 | Bolt, Hex, 5/16"-18x1.75", Gr. 5, ZN | 43 | |
| 25 | - | Hose Kit, Pronto DC40 | 1 | See 04339300 |
| 26 | 00509635 | STOP KIT FOR CYLINDERS | 12 | |
| 26.1 | 00509628 | Cylinder Stop, Blue, 1/4" | 2 | |
| 26.2 | 00509629 | Cylinder Stop, Red, 3/8" | 2 | |
| 26.3 | 00509631 | Cylinder Stop, Yellow, 3/4" | 1 | |
| 26.4 | 00509633 | Cylinder Stop, Silver, 2" | 1 | |
| 26.5 | 00509632 | Cylinder Stop, Black, 1-1/8" | 1 | |
| 27 | 04330192 | Pivot Valve Mount PDC | 2 | |
| 28 | 00110659 | THREE VANE 3/8" VZ | 2 | |
| 29 | 00370085 | Spring Pin, 8mm x 30mm | 2 | |
| 30 | M1D08030 | Bolt, Socket, M8-1.25x30, DIN912, 12.9, ZN | 4 | |
| 31 | M5A08000 | Washer, Flat, M8, DIN125, ZN | 12 | |
| 32 | M3C08000 | Nut, Nylock, M8-1.25, DIN985, Cl. 8, ZN | 8 | |
| 33 | M1A08040 | Bolt, Hex, M8-1.25x40, DIN931, 8.8, ZN | 4 | |

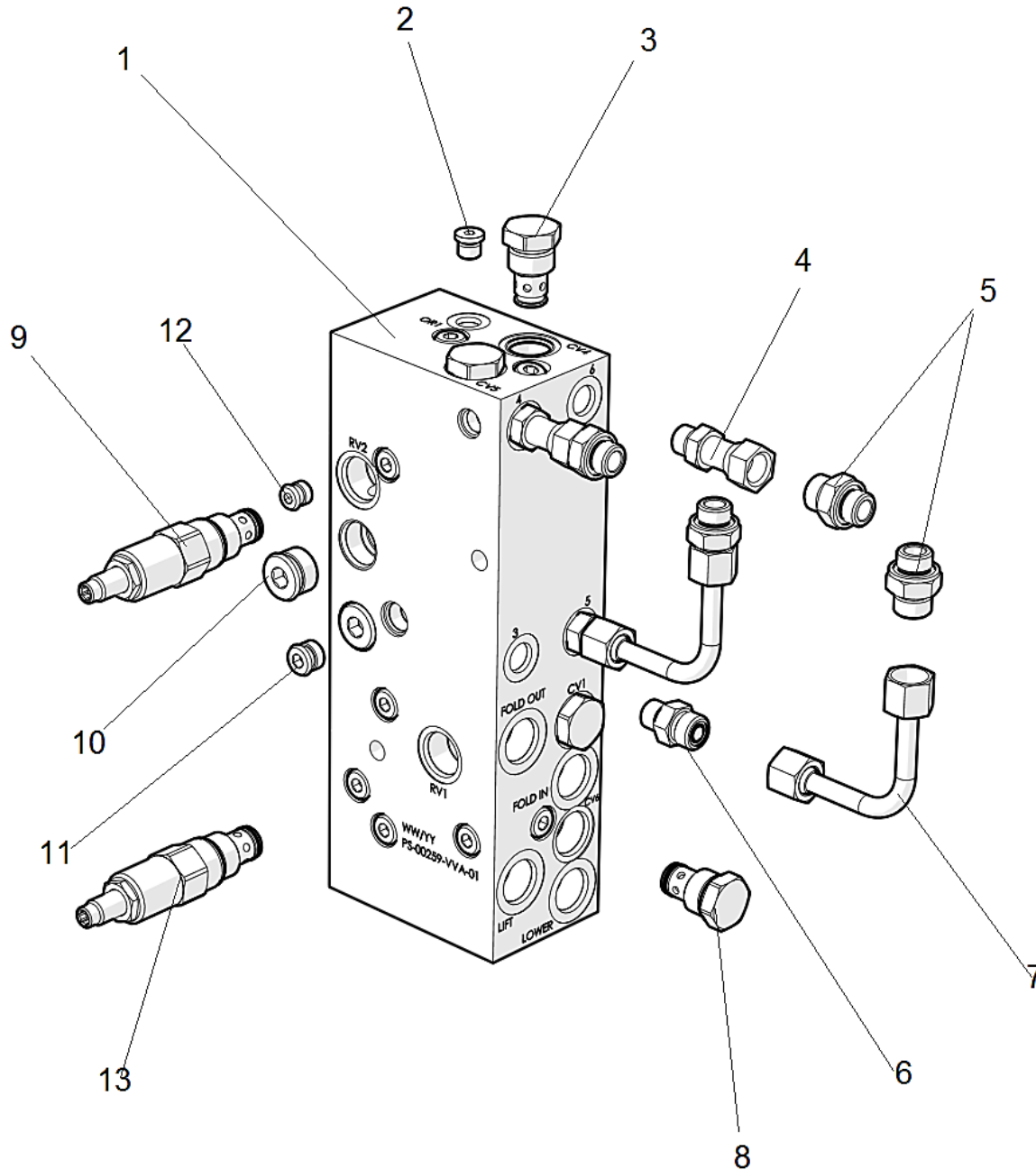
04335910 – Hydraulic Valve Assembly



04335910 – Hydraulic Valve Assembly

| Item | Part Number | Description | Qty. | Notes |
|-------------|--------------------|-----------------------------------|-------------|------------------------------|
| 1 | - | Valve Manifold, PO Check & Relief | 1 | See 04335911 |
| 2 | 00110663 | 6 Way Reversing Valve w/ Handle | 1 | |
| 2.1 | 04605917 | German Rotary Valve Handle | 1 | |
| 2.2 | 04605918 | Rotary Valve Set Screw | 1 | |
| 3 | 05029618 | Plug, MBSPP-6 | 2 | |

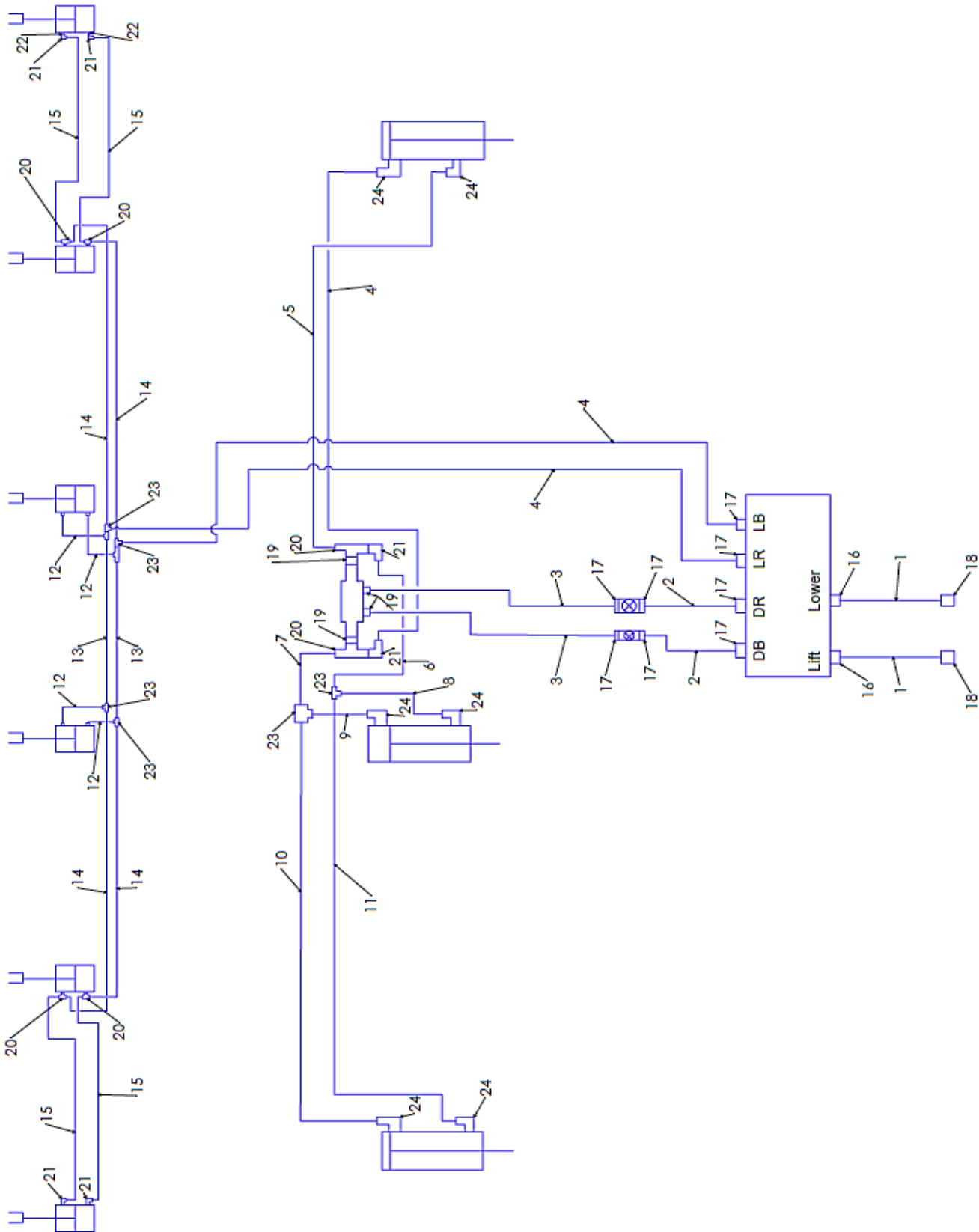
04335911 – Hydraulic Valve Manifold, Pronto DC



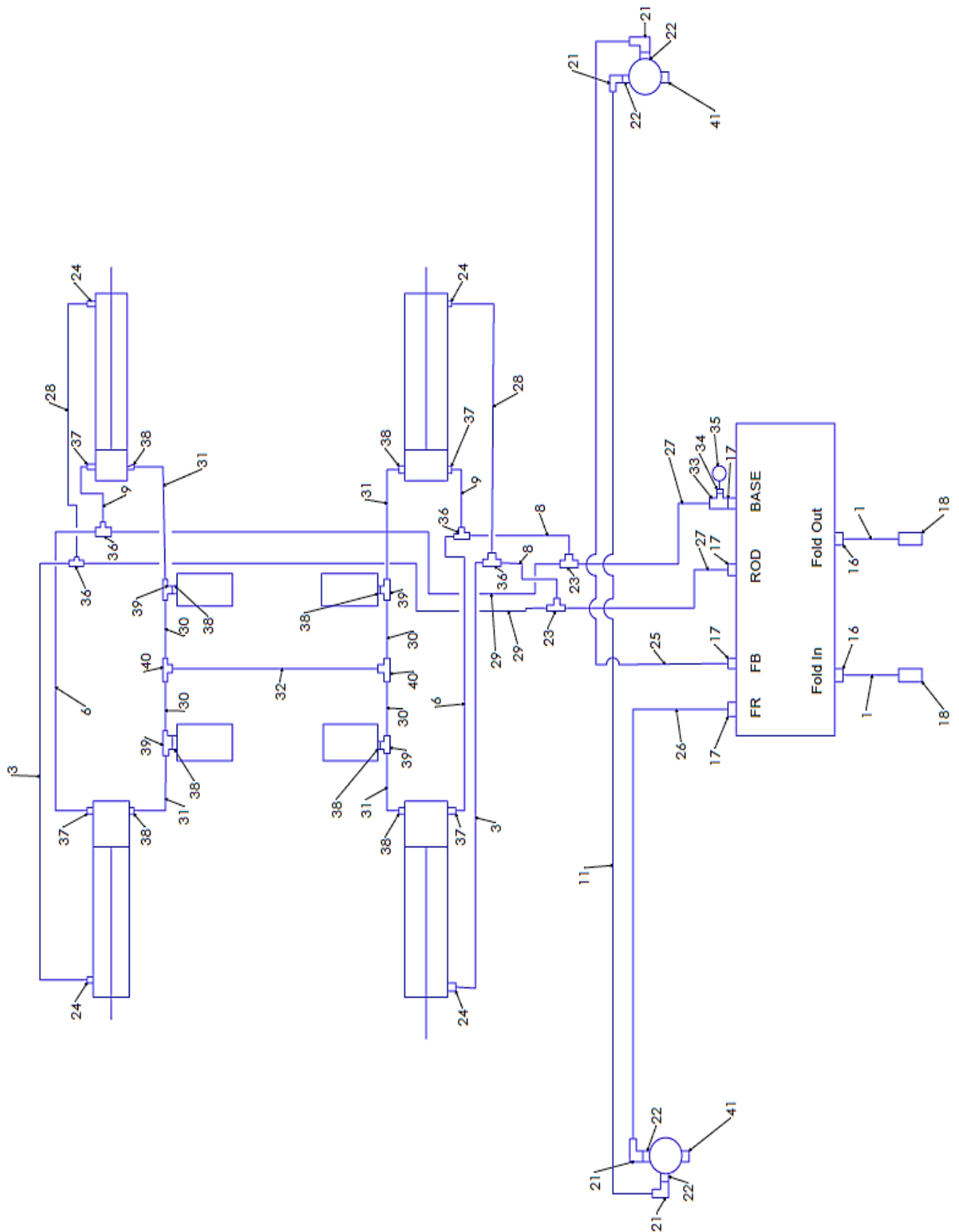
04335911 – Hydraulic Valve Manifold, Pronto DC

| Item | Part Number | Description | Qty. | Notes |
|-------------|--------------------|-------------------------------------|-------------|---------------|
| 1 | - | Valve Block, Machined | 1 | Not Available |
| 2 | 05951001 | SAE Plug, Male O-ring, 1/4" | 1 | |
| 3 | 05951002 | Check Valve, 2psi | 2 | |
| 4 | 05951003 | Tube Fitting, Male O-Ring Base, 3/8 | 2 | |
| 5 | 05951004 | Adapter, Male O-ring Face Seal, 3/8 | 4 | |
| 6 | 05951005 | Adapter, MJIC-6 x MORB-6 | 2 | |
| 7 | 05951006 | Tube, Bent, FJIC-6 x FORB-6 | 2 | |
| 8 | 05951007 | Check Valve, 30psi | 5 | |
| 9 | 05951008 | Relief Valve Cartridge, 2500psi | 2 | |
| 10 | 05951009 | Plug, #10 ORB | 2 | |
| 11 | 05951010 | Plug, #6 ORB | 9 | |
| 12 | 05951011 | Plug, #4 ORB | 1 | |
| 13 | 05951012 | Relief Valve Cartridge, 3500psi | 1 | |

04339300 – Hose Kit, Pronto 40 DC (Disc System & Opener Circuit)



04339300 – Hose Kit, Pronto 40 DC (Fold Circuit)

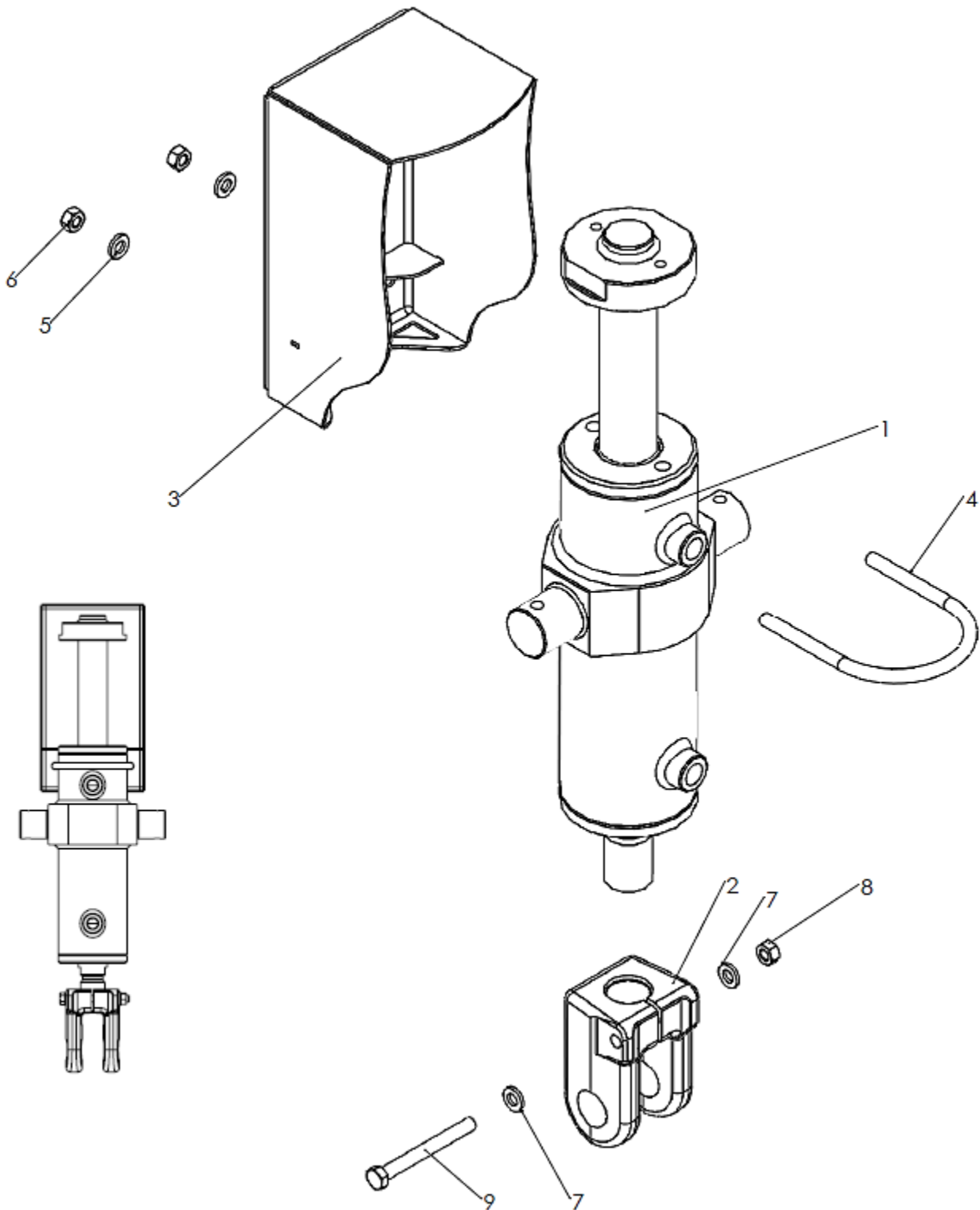


04339300 – Hose Kit, Pronto 40 DC (Parts Listing)

| Item | Part Number | Description | Qty. | Notes |
|------|-------------|---|------|-------|
| 1 | 05029314 | Hose, 1/2" x 184", FJIC-8 x MSAE-8 | 4 | |
| 2 | 04179313 | Hose, 1/2" x 42", FJIC-8 x FJIC-8 | 2 | |
| 3 | 04739308 | Hose, 1/2" x 80", FJIC-8 x FJIC-8 | 4 | |
| 4 | 04309080 | Hose, 1/2" x 174", FJIC-8 x FJIC-8 | 3 | |
| 5 | 04259302 | Hose, 1/2" x 162", FJIC-8 x FJIC-8 | 1 | |
| 6 | 04179303 | Hose, 1/2" x 40", FJIC-8 x FJIC-8 | 3 | |
| 7 | 00501090 | Hose, 1/2" x 38", FJIC-8 x FJIC-8 | 1 | |
| 8 | 04819616 | Hose, 1/2" x 24", FJIC-8 x FJIC-8 | 3 | |
| 9 | 05029308 | Hose, 1/2" x 14", FJIC-8 x FJIC-8 | 3 | |
| 10 | 04339301 | Hose, 1/2" x 202", FJIC-8 x FJIC-8 | 1 | |
| 11 | 04339302 | Hose, 1/2" x 214", FJIC-8 x FJIC-8 | 2 | |
| 12 | 04769334 | Hose, 1/2" x 17", 90FJIC-8 x FJIC-8 | 4 | |
| 13 | 04769305 | Hose, 1/2" x 64", FJIC-8 x FJIC-8 | 2 | |
| 14 | 05029320 | Hose, 1/2" x 104", FJIC-8 x FJIC-8 | 4 | |
| 15 | 04519330 | Hose, 1/2" x 72", FJIC-8 x FJIC-8 | 4 | |
| 16 | 00501236 | Adpt, Strt, MSAE-10 x MJIC-8 | 4 | |
| 17 | 00501177 | Adpt, Strt, MSAE-8 x MJIC-8 | 8 | |
| 18 | 00501072 | Coupler, Quick, Male FSAE-8 | 4 | |
| 19 | 04699346 | Adpt, Strt, MBSPP-8 x MJIC-8 | 4 | |
| 20 | 00501066 | Tee, MJIC-8 x MJIC-8 x FJIC-8 | 6 | |
| 21 | 00501210 | Elbow, 90, MJIC-8 x FJIC-8 | 10 | |
| 22 | 05029628 | Adpt, Strt, MBSPP-6 x MJIC-8 | 16 | |
| 23 | 05497171 | Bulkhead Tee, MJIC-8 | 8 | |
| 24 | 00501140 | Elbow, 90, MJIC-8 x 8M18C80MX-S | 10 | |
| 25 | 04769338 | Hose, 1/2" x 112", FJIC-8 x FJIC-8 | 1 | |
| 26 | 04259304 | Hose, 1/2" x 150", FJIC-8 x FJIC-8 | 1 | |
| 27 | 05497159 | Hose, 1/2" x 30", FJIC-8 x FJIC-8 | 2 | |
| 28 | 04709325 | Hose, 1/2" x 51", FJIC-8 x FJIC-8 | 2 | |
| 29 | 00501080 | Hose, 1/2" x 180", FJIC-8 x FJIC-8 | 2 | |
| 30 | 04339303 | Hose, 3/4" x 20", 90FJIC-12 x 90FJIC-12 | 4 | |
| 31 | 00501126 | Hose, 3/4" x 20", 90FJIC-12 x FJIC-12 | 4 | |
| 32 | 04339304 | Hose, 3/4" x 100", FJIC-12 x FJIC-12 | 1 | |
| 33 | 00501065 | Tee, MJIC-8 x FJIC-8 x MJIC-8 | 3 | |
| 34 | 04739346 | Adpt, Strt, FJIC-8 x FNPT 1/4" | 1 | |
| 35 | 04519021 | Gauge, 0-3000 PSI, MNPT 1/4" | 1 | |
| 36 | 05499189 | Tee, MJIC-8 | 4 | |
| 37 | 04819615 | Adpt, Strt, M18-1.5 x MJIC-8 | 4 | |
| 38 | 05029612 | Adpt, Strt, MBSPP-12 x MJIC-12 | 8 | |
| 39 | 05029625 | Tee, MJIC-12 x MJIC-12 x FJIC-12 | 4 | |
| 40 | 05499188 | Tee, MJIC-12 | 2 | |
| 41 | 05029618 | Plug, MBSPP-6 | 2 | |

**This page left blank intentionally.*

04335501 – Opener System Cylinder Assembly



04335501 – Opener System Cylinder Assembly

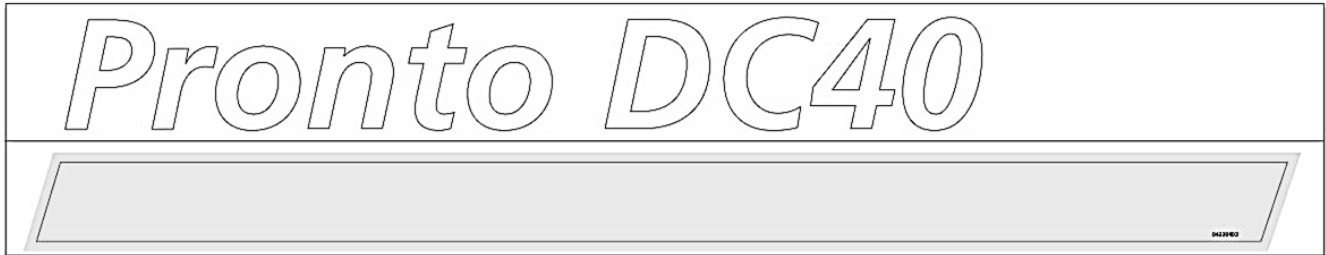
| Item | Part Number | Description | Qty. | Notes |
|------|-------------|---|------|-----------|
| 1 | 00130771 | Hyd. Cyl. DA 70-35-130 | 1 | |
| 1.1 | 00130775 | Seal Kit, 70-35 KMF | 1 | Not Shown |
| 2 | 00131098 | Cyl. Fork, D25.6-M30-2.0x75LG, Forg | 1 | |
| 3 | 24345111 | Clip Protection Focus TD | 1 | |
| 4 | 24345112 | U-Bolt DIA85x120 - M8x30 ZN | 1 | |
| 5 | M5A08000 | Washer, Flat, M8, DIN125, ZN | 2 | |
| 6 | M3C08000 | Nut, Nylock, M8-1.25, DIN985, Cl. 8, ZN | 2 | |
| 7 | M5E08000 | Washer, Flat, M8, DIN125, HV200, YZN | 2 | |
| 8 | M3D08000 | Nut, Nylock, M8-1.25, DIN985, Cl. 10, YZN | 1 | |
| 9 | M1B08080 | Bolt, Hex, M8-1.25x80, DIN931, 10.9, YZN | 1 | |

Notes:

Section 7 – Decals

04339400 – Decals, Pronto DC

Part# 04339403 - Decal: Pronto DC40, Left 4.25" x 23"



1

Part# 04779405 - Decal: 4.25" x 28" Rear Axle, HORSCH



2

Part# 04339404 - Decal: Pronto DC40, Right 4.25" x 23"



3

Part# 05029403- Decal: Website, 2015, .8" x 7.25"



4

Part# 04119407 - Decal: Horsch, 3" x 18.5"



5

04339400 – Decals, Pronto DC



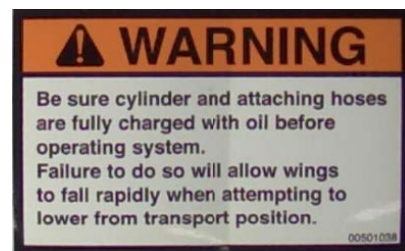
6



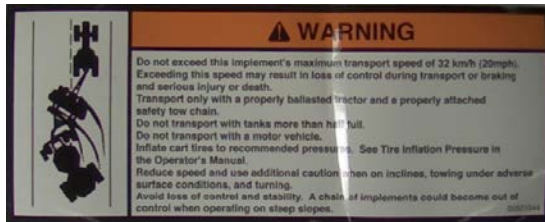
8



9



11



13



18

Part# 04339405 - Decal: Pronto DC40 Left, 3.5" x 64"

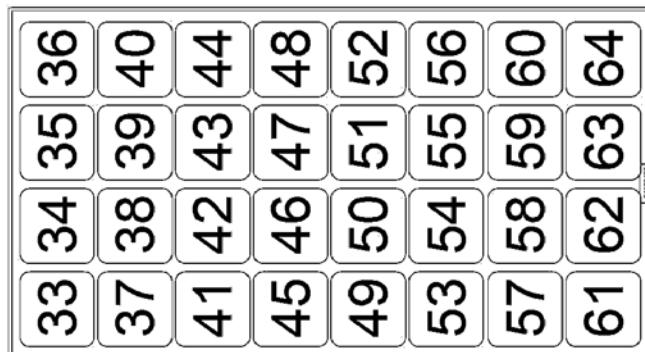


19



Part# 04339406 - Decal: Pronto DC40 Right, 3.5" x 64"

20



21

04339400 – Decals, Pronto DC

| | | | | | | | |
|---|---|----|----|----|----|----|----|
| 4 | 8 | 12 | 16 | 20 | 24 | 28 | 32 |
| 3 | 7 | 11 | 15 | 19 | 23 | 27 | 31 |
| 2 | 6 | 10 | 14 | 18 | 22 | 26 | 30 |
| 1 | 5 | 9 | 13 | 17 | 21 | 25 | 29 |

22

| | | | | | | | |
|---|---|----|----|----|----|----|----|
| 4 | 8 | 12 | 16 | 20 | 24 | 28 | 32 |
| 3 | 7 | 11 | 15 | 19 | 23 | 27 | 31 |
| 2 | 6 | 10 | 14 | 18 | 22 | 26 | 30 |
| 1 | 5 | 9 | 13 | 17 | 21 | 25 | 29 |

23

| | | | | | |
|----|----|----|----|----|----|
| 1 | 1 | 1 | 1 | 1 | 1 |
| 2 | 2 | 2 | 2 | 2 | 2 |
| 3 | 3 | 3 | 3 | 3 | 3 |
| 4 | 4 | 4 | 4 | 4 | 4 |
| 5 | 5 | 5 | 5 | 5 | 5 |
| 6 | 6 | 6 | 6 | 6 | 6 |
| 7 | 7 | 7 | 7 | 7 | 7 |
| 8 | 8 | 8 | 8 | 8 | 8 |
| 9 | 9 | 9 | 9 | 9 | 9 |
| 10 | 10 | 10 | 10 | 10 | 10 |
| 11 | 11 | 11 | 11 | 11 | 11 |
| 12 | 12 | 12 | 12 | 12 | 12 |

00385506

24

| | | | | | |
|----|----|----|----|----|----|
| 13 | 13 | 13 | 13 | 13 | 13 |
| 14 | 14 | 14 | 14 | 14 | 14 |
| 15 | 15 | 15 | 15 | 15 | 15 |
| 16 | 16 | 16 | 16 | 16 | 16 |
| 17 | 17 | 17 | 17 | 17 | 17 |
| 18 | 18 | 18 | 18 | 18 | 18 |
| 19 | 19 | 19 | 19 | 19 | 19 |
| 20 | 20 | 20 | 20 | 20 | 20 |
| 21 | 21 | 21 | 21 | 21 | 21 |
| 22 | 22 | 22 | 22 | 22 | 22 |
| 23 | 23 | 23 | 23 | 23 | 23 |
| 24 | 24 | 24 | 24 | 24 | 24 |

00385507

25

04339400 – Decals, Pronto DC

| | | | | | |
|----|----|----|----|----|----|
| 25 | 25 | 25 | 25 | 25 | 25 |
| 26 | 26 | 26 | 26 | 26 | 26 |
| 27 | 27 | 27 | 27 | 27 | 27 |
| 28 | 28 | 28 | 28 | 28 | 28 |
| 29 | 29 | 29 | 29 | 29 | 29 |
| 30 | 30 | 30 | 30 | 30 | 30 |
| 31 | 31 | 31 | 31 | 31 | 31 |
| 32 | 32 | 32 | 32 | 32 | 32 |
| 33 | 33 | 33 | 33 | 33 | 33 |
| 34 | 34 | 34 | 34 | 34 | 34 |
| 35 | 35 | 35 | 35 | 35 | 35 |
| 36 | 36 | 36 | 36 | 36 | 36 |

00385612

26

| | | | | | |
|----|----|----|----|----|----|
| 37 | 37 | 37 | 37 | 37 | 37 |
| 38 | 38 | 38 | 38 | 38 | 38 |
| 39 | 39 | 39 | 39 | 39 | 39 |
| 40 | 40 | 40 | 40 | 40 | 40 |
| 41 | 41 | 41 | 41 | 41 | 41 |
| 42 | 42 | 42 | 42 | 42 | 42 |
| 43 | 43 | 43 | 43 | 43 | 43 |
| 44 | 44 | 44 | 44 | 44 | 44 |
| 45 | 45 | 45 | 45 | 45 | 45 |
| 46 | 46 | 46 | 46 | 46 | 46 |
| 47 | 47 | 47 | 47 | 47 | 47 |
| 48 | 48 | 48 | 48 | 48 | 48 |

04339408

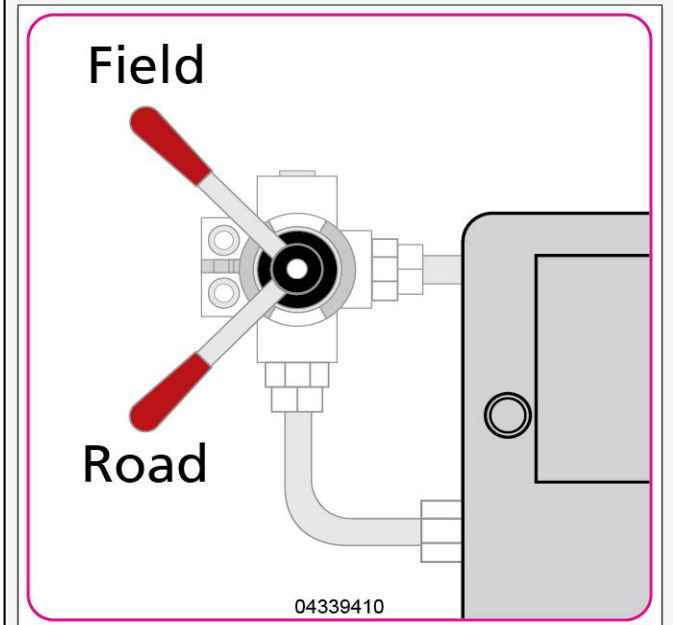
27

| | | | | | |
|----|----|----|----|----|----|
| 49 | 49 | 49 | 49 | 49 | 49 |
| 50 | 50 | 50 | 50 | 50 | 50 |
| 51 | 51 | 51 | 51 | 51 | 51 |
| 52 | 52 | 52 | 52 | 52 | 52 |
| 53 | 53 | 53 | 53 | 53 | 53 |
| 54 | 54 | 54 | 54 | 54 | 54 |
| 55 | 55 | 55 | 55 | 55 | 55 |
| 56 | 56 | 56 | 56 | 56 | 56 |
| 57 | 57 | 57 | 57 | 57 | 57 |
| 58 | 58 | 58 | 58 | 58 | 58 |
| 59 | 59 | 59 | 59 | 59 | 59 |
| 60 | 60 | 60 | 60 | 60 | 60 |
| 61 | 61 | 61 | 61 | 61 | 61 |
| 62 | 62 | 62 | 62 | 62 | 62 |
| 63 | 63 | 63 | 63 | 63 | 63 |
| 64 | 64 | 64 | 64 | 64 | 64 |

04339409

28

Part# 04339410 Decal: Field Road Pronto DC40, SQ 3"

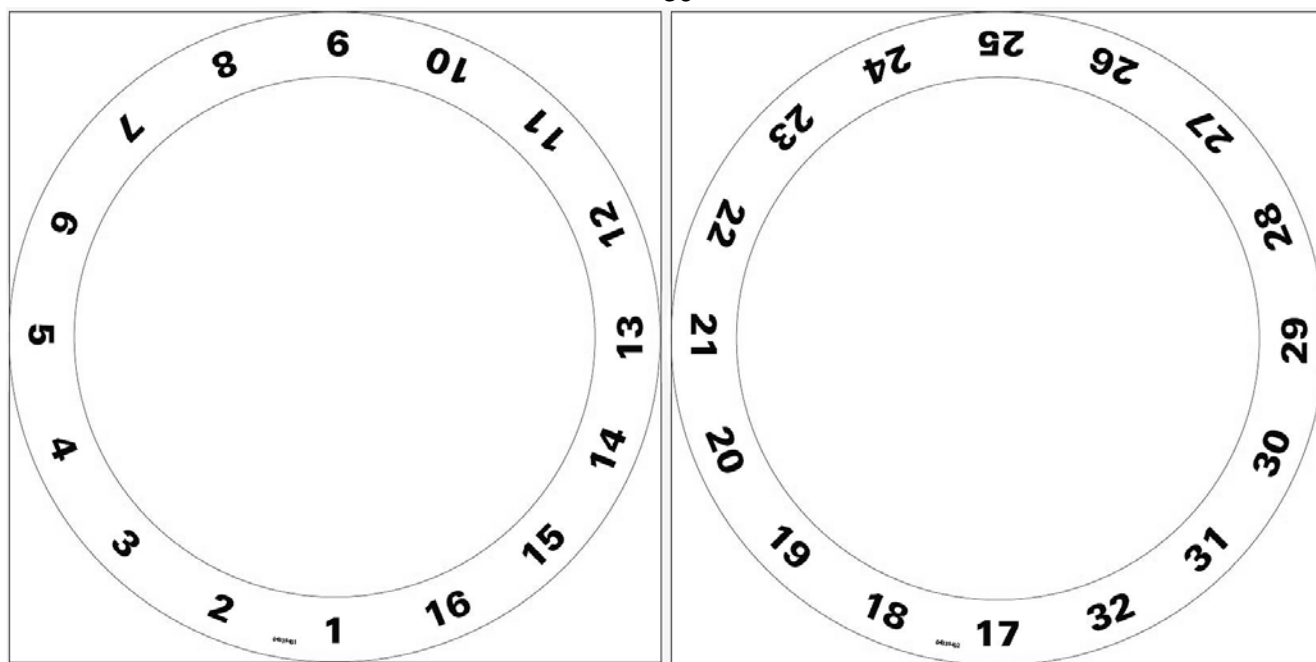


29

04339400 – Decals, Pronto DC



30



31

32

04339400 – Decals, Pronto DC

| Item | Part Number | Description | Qty. | Notes |
|------|-------------|--|------|-------|
| 1 | 04339403 | Decal: Pronto DC40, Left 4.25" x 23" | 1 | |
| 2 | 04779405 | DECAL: 4.25" X 28" Rear Axle HORSCH | 2 | |
| 3 | 04339404 | Decal: Pronto DC40, Right 4.25" x 23" | 1 | |
| 4 | 05029403 | DECAL: HORSCH WEBSITE | 2 | |
| 5 | 04119407 | Decal: Horsch, 3" x 18.5" | 2 | |
| 6 | 00501025 | Decal: Do Not Ride | 2 | |
| 7 | 00501026 | Decal: HYD Oil Pressure | 1 | |
| 8 | 00501028 | Decal: Electric Lines | 2 | |
| 9 | 00501031 | Decal: Wing Fold | 2 | |
| 10 | 00501035 | Decal: Run Over | 2 | |
| 11 | 00501038 | Decal: Fully Charged Cylinders | 2 | |
| 12 | 00501043 | Decal: Nameplate | 1 | |
| 13 | 00501044 | Decal: Vehicle Speed | 1 | |
| 14 | 00501073 | Decal: Max Transport Speed | 2 | |
| 15 | 00501119 | Decal: Yellow Reflection | 4 | |
| 16 | 00501120 | Decal: Red/Orange Florescent | 2 | |
| 17 | 00501121 | Decal: Red Reflective | 2 | |
| 18 | 00501310 | Decal: Warning-Locking Pins | 2 | |
| 19 | 04339405 | Decal: Horsch ProntoDC40 Left, 3.5" x 64" | 1 | |
| 20 | 04339406 | Decal: Horsch ProntoDC40 Right, 3.5" x 64" | 1 | |
| 21 | 04339407 | Decal: Numbers 33-64, White SQ 1.5 | 1 | |
| 22 | 05049406 | Decal: Numbers 1-32, White SQ 1.5 | 1 | |
| 23 | 05049403 | Decal: Numbers 1-32, Black SQ 1.5 | 1 | |
| 24 | 00385596 | Decal labelling SeedOnDemand hoses 1-12 | 1 | |
| 25 | 00385597 | Decal labelling SeedOnDemand hoses 13-24 | 1 | |
| 26 | 00385612 | Decal labelling SeedOnDemand hoses 25-36 | 1 | |
| 27 | 04339408 | Decal: Labeling Hoses 37-48 | 1 | |
| 28 | 04339409 | Decal: Labeling Hoses 49-64 | 1 | |
| 29 | 04339410 | Decal: Field Road Pronto DC40, SQ 3" | 1 | |
| 30 | 00507202 | Sign: Slow Moving-Adhesive Back | 1 | |
| 31 | 04339401 | Decal: Manifold 1-16, White | 1 | |
| 32 | 04339402 | Decal: Manifold 17-32, White | 1 | |

Notes:

Section 8 – Miscellaneous/Documentation

Paint Supplies



Paint Supplies

| Item | Part Number | Description | Qty. | Notes |
|-------------|--------------------|---------------------------------------|-------------|--------------|
| 1 | 00501510 | Paint, Spray – OMNI PAK, Red Touch-Up | 1 | |
| 2 | 00501515 | Paint, HORSCH Red – 1 Gallon | 1 | |
| 3 | 00501520 | Paint Hardener, 1 Quart | 1 | |

Documentation, Panther Planting System

1 —————



————— 2



3 —————

HORSCH Quick Reference Guide: Panther 440 / 460

Hydraulic Connections:

| | | | | | | | | | | | | | | | | | | | | | | | | | | | | | | | | | | | | | | | | | | | | | | | | | | | | | | | | | | | | | | | | | | | | | | | | | | | | | | | | | | | | | | | | | | | | | | | | | | | |
|---|---|---|---|---|---|---|---|---|----|----|----|----|----|----|----|----|----|----|----|----|----|----|----|----|----|----|----|----|----|----|----|----|----|----|----|----|----|----|----|----|----|----|----|----|----|----|----|----|----|----|----|----|----|----|----|----|----|----|----|----|----|----|----|----|----|----|----|----|----|----|----|----|----|----|----|----|----|----|----|----|----|----|----|----|----|----|----|----|----|----|----|----|----|----|----|----|----|----|-----|
| 1 | 2 | 3 | 4 | 5 | 6 | 7 | 8 | 9 | 10 | 11 | 12 | 13 | 14 | 15 | 16 | 17 | 18 | 19 | 20 | 21 | 22 | 23 | 24 | 25 | 26 | 27 | 28 | 29 | 30 | 31 | 32 | 33 | 34 | 35 | 36 | 37 | 38 | 39 | 40 | 41 | 42 | 43 | 44 | 45 | 46 | 47 | 48 | 49 | 50 | 51 | 52 | 53 | 54 | 55 | 56 | 57 | 58 | 59 | 60 | 61 | 62 | 63 | 64 | 65 | 66 | 67 | 68 | 69 | 70 | 71 | 72 | 73 | 74 | 75 | 76 | 77 | 78 | 79 | 80 | 81 | 82 | 83 | 84 | 85 | 86 | 87 | 88 | 89 | 90 | 91 | 92 | 93 | 94 | 95 | 96 | 97 | 98 | 99 | 100 |
|---|---|---|---|---|---|---|---|---|----|----|----|----|----|----|----|----|----|----|----|----|----|----|----|----|----|----|----|----|----|----|----|----|----|----|----|----|----|----|----|----|----|----|----|----|----|----|----|----|----|----|----|----|----|----|----|----|----|----|----|----|----|----|----|----|----|----|----|----|----|----|----|----|----|----|----|----|----|----|----|----|----|----|----|----|----|----|----|----|----|----|----|----|----|----|----|----|----|----|-----|

Entering Field:

1. Raise machine and wings (1) so it is no longer resting on rubber shoes and wing lock pins.
2. Remove rubber safety stops and wing lock pins.
3. Engage unfolding wings. When lower wings have completely unfolded and rollers are starting to rotate in the center of the row wing, reverse hydraulic flow to raise wing lock locks. The row wing will stop when on top of the row wing and wing lock locks will fall away allowing outer wings to unfold. **NOTE:** It is important to slow down while unfolding outer sections to prevent the planter wheels from jamming in the ground and becoming damaged.
4. Tilt the front hitch. (See Tilting of the Front Hitch in Owner's Manual for further information.)
 - a. Park tractor on level ground (machine should be unfolded and rollers flat on ground).
 - b. Raise machine to see which way front hitch moves. **NOTE:** Check each of the front hydraulic cylinders for jams, leaks, and correct movement.
 - c. Then loosen adjustment plate bolts and move plate towards front hitch. When plate ends fall flat on ground.
 - d. Repeat process on second and third wings as well.
5. Verify machine frame is level for proper row depth. (See Setup, Setting & Tilling the Seed Depth in Owner's Manual for further detailed information.)

Machine Operation:

1. Raise machine and hold ICV (2) to replace left cylinders. (Cylinders are phased each time the machine is cycled through a different function.)
2. Verify correct row depth settings according to SeedDepth Chart based either on the front hydraulic cylinders or wing lock stops.
 - a. Every step on the right chart moves the air meter approximately 0.1" (2.5mm) (0.02").
 - b. (1) on chart indicates machine is not adjusted setting (same other steps). Step 24 indicates machine is in proper setting (same of each colored step).
3. Run machine slowly (2.5 mph) at set depth and adjust to machine tracks straight.
4. Reverse operation to desired speed (0.7 mph) small grains, 7.0 mph corn, 0-10 mph soybeans and make fine adjustments as necessary.
5. Adjust seed and fertilizer setting hydraulic controls (3, 4, 6). (This will control the hydraulic line motion for the bars of the seed unit. For further information relating to the operation see Quick Reference Guide, Community Care 350.)

Quick Reference Guide - Panther Planting System Ver. 1.2 05/2017 www.horsch.com

Documentation, Panther Planting System

| Item | Part Number | Description | Qty. | Notes |
|-------------|--------------------|----------------------------------|-------------|--------------|
| 1 | 05950981 | Owner's Manual, Pronto DC – 2017 | 1 | |
| 2 | 05950980 | Parts Catalog, Pronto DC – 2017 | 1 | |
| 3 | 05950982 | Quick Reference Guide, Pronto DC | 1 | |

Index

- 6**
6 Way Reversing Valve 123
- A**
Access Point..... 71
Accumulator 121
- B**
BEARING, UCFE 212..... 43, 45, 47
BEARING,& HOUSING 50MM..... 35
Blade, Notched..... 91, 93, 95, 97
Blue Poly 55, 59
Bull Pull 19, 21
- C**
Center Packer Frame Left 30
Center Packer Frame Right 30
Chain Clip 3/16"..... 53, 57
Check Valve 125
Coulter Arm EXLG, Back 93
Coulter Arm EXLG, Front..... 91
Coulter Front 81
Coulter Rear 83
Cylinder Stop..... 121
- D**
DISC, NOTCHED 81, 83
Dual Counter Valve 121
- E**
ECU, IAS, WBM 69
- F**
Front Hitch..... 13
- G**
Gauge 128
- H**
Harrow Curved Leaf Spring 113, 115
Harrow tine outside..... 115
HITCH PIN 31
- Hose Clamp 53, 57, 69, 71
Hose Guide..... 13
Hose Holder 13
Hose, Seed, Black, 1-1/4" 53
Hose, Seed, Lined, 5-1/2" 53
- J**
Jack 13
- L**
Left Wing..... 30
Light Bar 63
Light Harness..... 63
LIGHT, JAMMY DBL LED 63
- M**
Main Frame..... 30
- O**
Owner's Manual 145
- P**
Packer Spring 32
Paint 142, 143
Paint, Spray 143
Parts Catalog 145
Perfect Hitch 15, 17
Power Cable 71
Press Wheel 116
- Q**
Quick Reference Guide..... 145
- R**
Rear Scraper, Press Wheel..... 103, 105, 107
Relief Valve Cartridge 125
Right Wing 30
Rubber Cord 81, 83, 91, 93
- S**
Scraper 49
Scraper press wheel front 107

| | |
|-----------------------|-----|
| Seed closer | 109 |
| Sensor Assembly | 69 |
| Spindle..... | 37 |
| SPRING, TENSION | 57 |

T

| | |
|------------------|------------|
| Thimble..... | 53, 57 |
| Tie Strap | 53, 57, 63 |
| Tine 150 mm..... | 113 |
| TWIN CLAMP | 13, 121 |

W

| | |
|----------------------------|------------|
| Walking Beam | 35 |
| Wire Rope Clip 5/16" | 53, 57 |
| Wire Rope, 1/4" | 53, 57 |
| Work Switch | 69, 72, 73 |

Z

| | |
|-----------|----------------|
| Zerk..... | 19, 21, 23, 25 |
|-----------|----------------|

[Go to Top](#)



www.horsch.com

PN 05950980
Ver. 1.2 05/2017

HORSCH, LLC
200 Knutson St.
Mapleton, ND 58059 USA
(T) 855-4HORSCH
(F) 701-532-1101
(E) info.us@horsch.com

HORSCH
Farming with passion