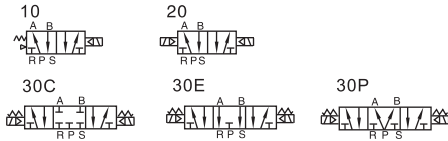


Solenoid valve(5/2 way, 5/3 way)

4V300 Series



Symbol



Product feature

- Pilot-oriented mode: Internal pilot or external pilot.
- Structure in sliding column mode: good tightness and sensitive reaction.
- Three position solenoid valves have three kinds of central function for your choice.
- Double control solenoid valves have memory function.
- Internal hole adopts special processing technology which has little attrition friction, low start pressure and long service life.
- No need to add oil for lubrication.
- It is available to form integrated valve group with the base to save installation space.
- Affiliated manual devices are equipped to facilitate installation and debugging.
- Several standard voltage grades are optional.

Specification

| Model | 4V310-08 4V320-08 | 4V330C-08 4V330E-08 4V330P-08 | 4V310-10 4V320-10 | 4V330C-10 4V330E-10 4V330P-10 |
|------------------------|--|-------------------------------------|----------------------------------|-------------------------------------|
| Fluid | Air (to be filtered by 40 μm filter element) | | | |
| Acting | Internal pilot or external pilot | | | |
| Port size [Note1] | In=Out=Exhaust=1/4" | | In=Out=3/8" Exhaust=1/4" | |
| Orifice size | 25.0mm ² (Cv=1.40) | 18.0mm ² (Cv=1.00) | 30.0mm ² (Cv=1.68) | 18.0mm ² (Cv=1.00) |
| Valve type | 5 port 2 position | 5 port 3 position | 5 port 2 position | 5 port 3 position |
| Operating pressure | 0.15~0.8MPa(21~114psi) | | | |
| Proof pressure | 1.2MPa(175psi) | | | |
| Temperature | -20~70°C | | | |
| Material of body | Aluminum alloy | | | |
| Lubrication [Note2] | Not required | | | |
| Max. frequency [Note3] | 4 cycle/sec | 3 cycle/sec | 4 cycle/sec | 3 cycle/sec |
| Weight (g) | 4V310-08:310 4V320-08:400 | 450 | 4V310-10:310 4V320-10:400 | 450 |

[Note1] G thread is available.

[Note2] Once lubricated air is used, continue with same medium to optimise valve life span. Lubricants like ISO VG32 or equivalent are recommended.

[Note3] The maximum actuation frequency is in the no-load state.

Coil specification

| Item | specification | | | | |
|----------------------------|--------------------|--------|-------|-------|-------|
| Standard voltage | AC220V | AC110V | AC24V | DC24V | DC12V |
| Scope of voltage | AC: ±15% DC: ±10% | | | | |
| Power consumption | 4.5VA | 4.5VA | 5.0VA | 3.0W | 3.0W |
| Protection | IP65(DIN40050) | | | | |
| Temperature classification | B Class | | | | |
| Electrical entry | Terminal, Grommet | | | | |
| Activating time | 0.05 sec and below | | | | |

Ordering code

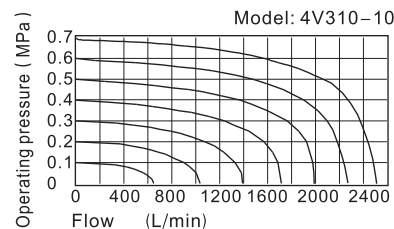
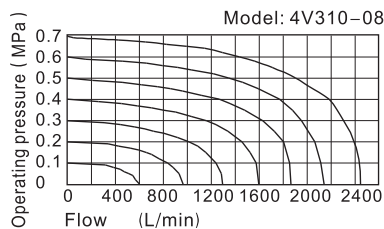
4V 3 10 10 A □ G - W



| ① Model | ② Code | ③ Valve type | ④ Port size | ⑤ Voltage | ⑥ Electrical entry | ⑦ Thread type | ⑧ Pilot type |
|-----------------------------------|---------------|---|----------------------|--|-------------------------------|---------------|---|
| 4V: Solenoid valve (5/2, 5/3 way) | 3: 300 Series | 10: Single solenoid 5/2 way 20: Double solenoid 5/2 way 30C: Double solenoid 5/3 way closed center 30E: Double solenoid 5/3 way exhaust center 30P: Double solenoid 5/3 way pressure center | 08: 1/4" 10: 3/8" | A: AC220V B: DC24V C: AC110V E: AC24V F: DC12V | Blank: Terminal I: Grommet | G: G | Blank: Internal pilot Without M5 thread hole W: External pilot With M5 thread hole |

Please refer to 48 for manifold specification and the order way.

Flow chart



Solenoid valve(5/2 way,5/3 way)

4V300 Series

Inner structure

4V310

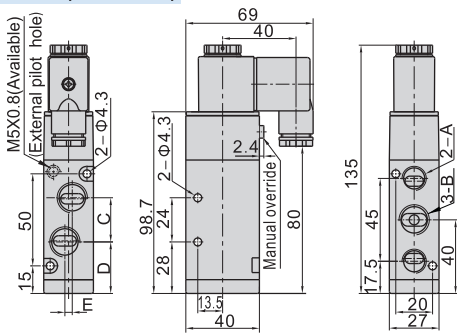
4V320

4V330C

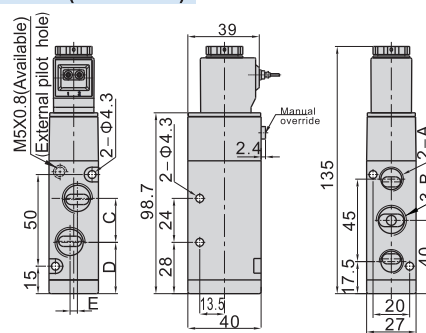
| No. | Item | No. | Item | No. | Item | No. | Item | No. | Item | No. | Item | No. | Item | No. | Item | No. | Item | No. | Item | | |
|-----|-----------|-----|----------|-----|-------------|-----|-----------|-----|--------------|-----|--------------|-----|---------------------|-----|---------------|-----|-----------------|-----|---------------|----|---------------|
| 1 | Connector | 3 | Coil | 5 | Fixed plate | 7 | Pilot kit | 9 | Wear ring | 11 | Fixed screw | 13 | Bottom cover gasket | 15 | Spool | 17 | Override spring | 19 | Spring holder | 21 | Side cover |
| 2 | Coil net | 4 | Armature | 6 | Piston | 8 | Body | 10 | Bottom cover | 12 | Spool spring | 14 | Spool O-ring | 16 | Piston O-ring | 18 | Manual override | 20 | Return spring | 22 | Spring holder |

Dimensions

4V310(Terminal)

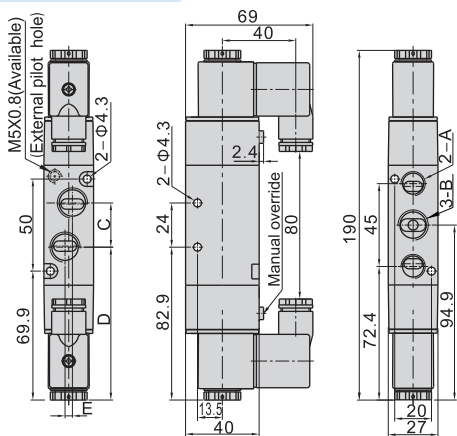


4V310(Grommet)

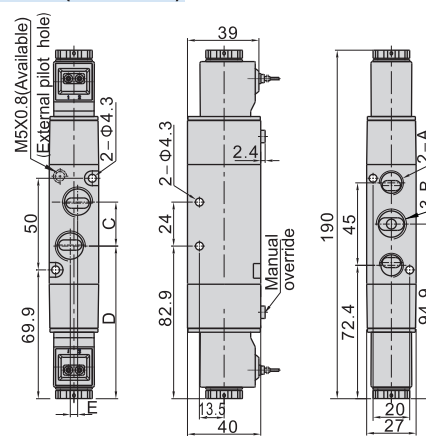


| Model\Item | A | B | C | D | E |
|------------|------|------|----|----|---|
| 4V310-08 | 1/4" | 1/4" | 22 | 29 | 0 |
| 4V310-10 | 1/4" | 3/8" | 24 | 28 | 4 |

4V320(Terminal)

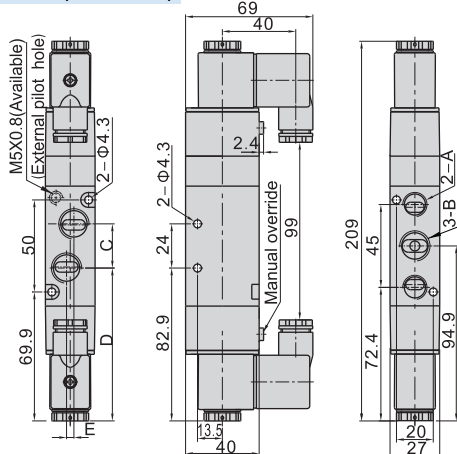


4V320(Grommet)

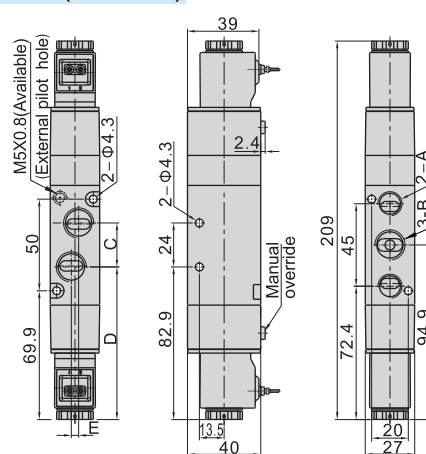


| Model\Item | A | B | C | D | E |
|------------|------|------|----|------|---|
| 4V320-08 | 1/4" | 1/4" | 22 | 83.9 | 0 |
| 4V320-10 | 1/4" | 3/8" | 24 | 82.9 | 4 |

4V330(Terminal)



4V330(Grommet)



| Model\Item | A | B | C | D | E |
|------------|------|------|----|------|---|
| 4V330-08 | 1/4" | 1/4" | 22 | 83.9 | 0 |
| 4V330-10 | 1/4" | 3/8" | 24 | 82.9 | 4 |

