

Technical Information

Micropilot NMR81

Tank Gauging



Application

Micropilot NMR8x Series intelligent tank gauges are designed for high accuracy liquid level measurement in storage and process applications. They fulfill the exacting demands of tank inventory management, inventory control, custody transfer, loss control, total cost saving, and safe operation.

Typical areas of application

- Precise level measurement of oil (fuels), chemicals, and alcohol in free space
- Tank mounted intelligence makes NMR8x ideal for single or multi-task installations, measuring the liquid level and integrating a wide range of tank sensor measurement functions including: Liquid level, Water level, Temperature and Pressure.

Your benefits

- SIL2 certified (Min, Max, Continuous level)
- SIL3 (in preparation)
- Up to 6 SIL relay outputs
- Measures liquid level to an accuracy of +/- 0.5 mm (0.02 in)
- Wetted parts are completely separated from the electronic circuit
- Tank top mounting as small as 2"/DN50 flange
- Wide range of output signals including V1, Modbus RS 485, and HART protocol
- Suitable for atmospheric and high pressure applications up to 16 bar/ 1.6 MPa (232 psi)
- Maintenance prediction of the instrument
- Integration of e.g. temperature, water level, pressure, overflow prevention sensor
- Direct connection of spot or average temperature sensor
- Robust IP66/68, NEMA Type 4x/6P enclosure
- Operation and display in a wide variety of local languages





Table of contents

Document information	3	Materials	28
Symbols	3		
Function and system design	5	Operability	30
Measuring principle	5	Operating concept	30
Integration of tank sensors	6	Operating options	30
Measuring system	7	Local operation	30
		Remote operation	31
		Operation via service interface	31
Input/output	8	Certificates and approvals	32
Level measurement	8	CE mark	32
HART Ex ia/IS active input	9	RCM-Tick marking	32
I/O modules	10	Ex approval	32
		Single seal according to ANSI/ISA 12.27.01	32
Power supply	16	Functional Safety (SIL)	32
Terminal assignment	16	WHG	32
Supply voltage	16	Weight & Measure approval	32
Cable entries	17	Radio standard EN302372-1/2	32
Cable specification	17	FCC / Industry Canada	32
Overvoltage protection	17	Non-ionizing radiation protection	33
		CRN approval	33
		Pressure equipment with allowable pressure	
Performance characteristics	18	≤ 200 bar (2 900 psi)	33
Sampling rate	18	Test, certificate	33
Reference operating conditions	18	Other standards and guidelines	34
Measured value resolution	18		
Maximum measured error	18	Ordering information	35
Hysteresis	18	Ordering information	35
Repeatability	18	Calibration certificate	35
Linearity	18	Marking	35
Long-term drift	18		
Influence of ambient temperature	18	Application packages	36
		Advanced tank measurement methods	36
Installation	19		
Installation conditions	19	Accessories	39
		Device-specific accessories	39
Environment	21	Communication-specific accessories	41
Ambient temperature range	21	Service-specific accessories	41
Ambient temperature limits	21	System components	41
Classification of environmental conditions according to			
DIN EN 60721-3-4	22	Documentation	42
Storage temperature	22	Technical Information (TI)	42
Humidity	22	Brief Operating Instructions (KA)	42
Degree of protection	22	Operating Instructions (BA)	42
Shock resistance	22	Description of Device Parameters (GP)	42
Vibration resistance	22	Safety instructions (XA)	43
Electromagnetic compatibility (EMC)	22		
		Registered trademarks	44
Process	23		
Process temperature range	23		
Process pressure range	23		
Dielectric constant	23		
Custody transfer approval	24		
Mechanical construction	25		
Dimensions	25		
Weight	27		







Document information

Symbols









Safety symbols

Symbol	Meaning
	DANGER! This symbol alerts you to a dangerous situation. Failure to avoid this situation will result in serious or fatal injury.
	WARNING! This symbol alerts you to a dangerous situation. Failure to avoid this situation can result in serious or fatal injury.
	CAUTION! This symbol alerts you to a dangerous situation. Failure to avoid this situation can result in minor or medium injury.
	NOTE! This symbol contains information on procedures and other facts which do not result in personal injury.



Electrical symbols

Symbol	Meaning
	Direct current
	Alternating current
	Direct current and alternating current
	Ground connection A grounded terminal which, as far as the operator is concerned, is grounded via a grounding system.
	Protective ground connection A terminal which must be connected to ground prior to establishing any other connections.
	Equipotential connection A connection that has to be connected to the plant grounding system: This may be a potential equalization line or a star grounding system depending on national or company codes of practice.

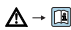

Symbols for certain types of information

Symbol	Meaning
	Permitted Procedures, processes or actions that are permitted.
	Preferred Procedures, processes or actions that are preferred.
	Forbidden Procedures, processes or actions that are forbidden.
	Tip Indicates additional information.
	Reference to documentation
	Reference to page
	Reference to graphic
	Visual inspection

Symbols in graphics

Symbol	Meaning
1, 2, 3 ...	Item numbers
1., 2., 3...	Series of steps
A, B, C, ...	Views
A-A, B-B, C-C, ...	Sections
	Hazardous area Indicates a hazardous area.
	Safe area (non-hazardous area) Indicates the non-hazardous area.

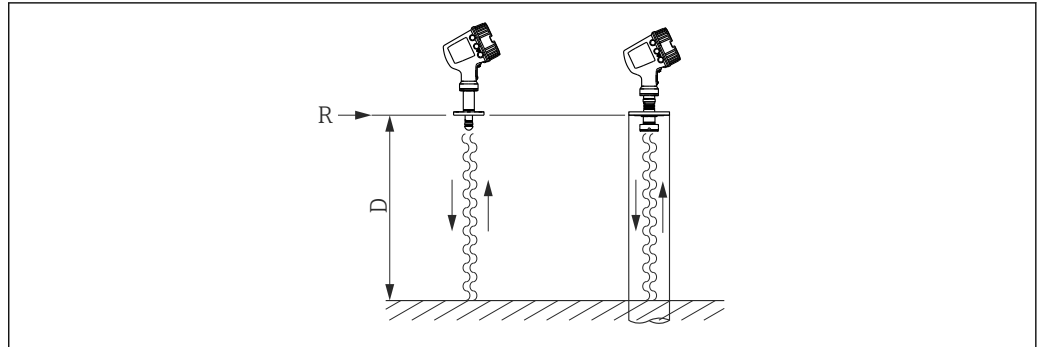
Symbols at the device

Symbol	Meaning
	Safety instructions Observe the safety instructions contained in the associated Operating Instructions.
	Temperature resistance of the connection cables Specifies the minimum value of the temperature resistance of the connection cables.

Function and system design

Measuring principle

Micropilot is a directional level radar, operating based on the "Frequency-Modulated Continuous Wave" principle (FMCW). The radar emits a precise crystal-oscillated, continuously varying frequency wave from the antenna. The wave is reflected off the product surface and received again by the radar system.

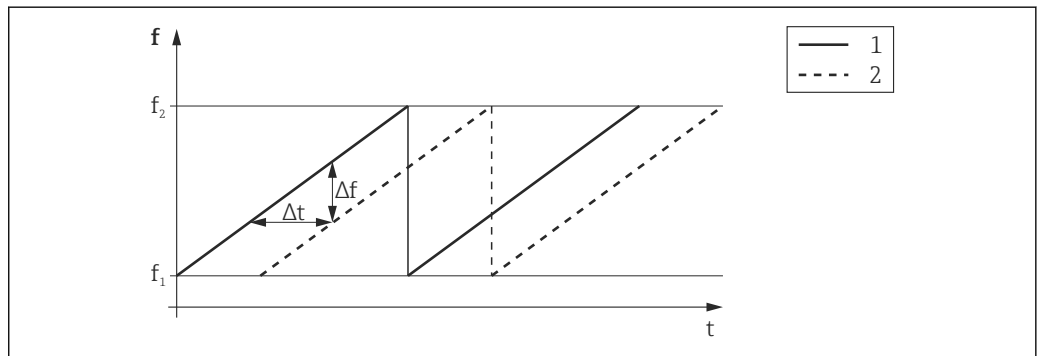


A0023768

1 FMCW principle: Emission and reflection of the continuous wave.

R Reference point of the measurement
D Distance between R and the product surface

The frequency of this wave is precisely modulated in the form of a sawtooth signal between two limit frequencies f_1 and f_2 :



A0023771

2 FMCW principle: Results of the frequency modulation

1 Emitted signal
2 Received signal

Thus, at any given time the frequencies of the emitted and the received signal differ by

$$\Delta f = k \Delta t$$

where Δt is the transit time and k is the known slope of the frequency modulation.

Δt , on the other hand, is determined by the distance D between the reference point R and the product surface:

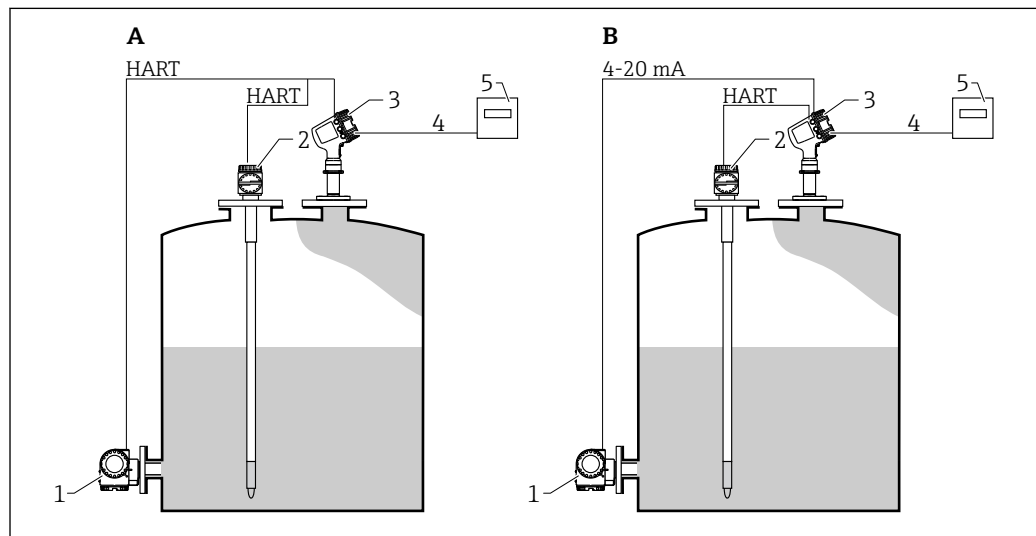
$$D = (c \Delta t) / 2$$

where c is the speed of propagation of the wave.

In summary, D can be calculated from the measured frequency shift Δf . D is then used to calculate the contents of the tank.

Integration of tank sensors

In addition to measuring the level, the device can also be used for the integration of tank sensors into tank inventory systems. All measured and calculated values can be displayed at the built-in display. Via a field communication protocol, they can be transferred to an inventory control system.



A0023767

3 Integration of tank sensors with Micropilot (Example)

A HART multidrop mode

B HART and analog mode

1 Pressure transmitter

2 Average temperature transmitter

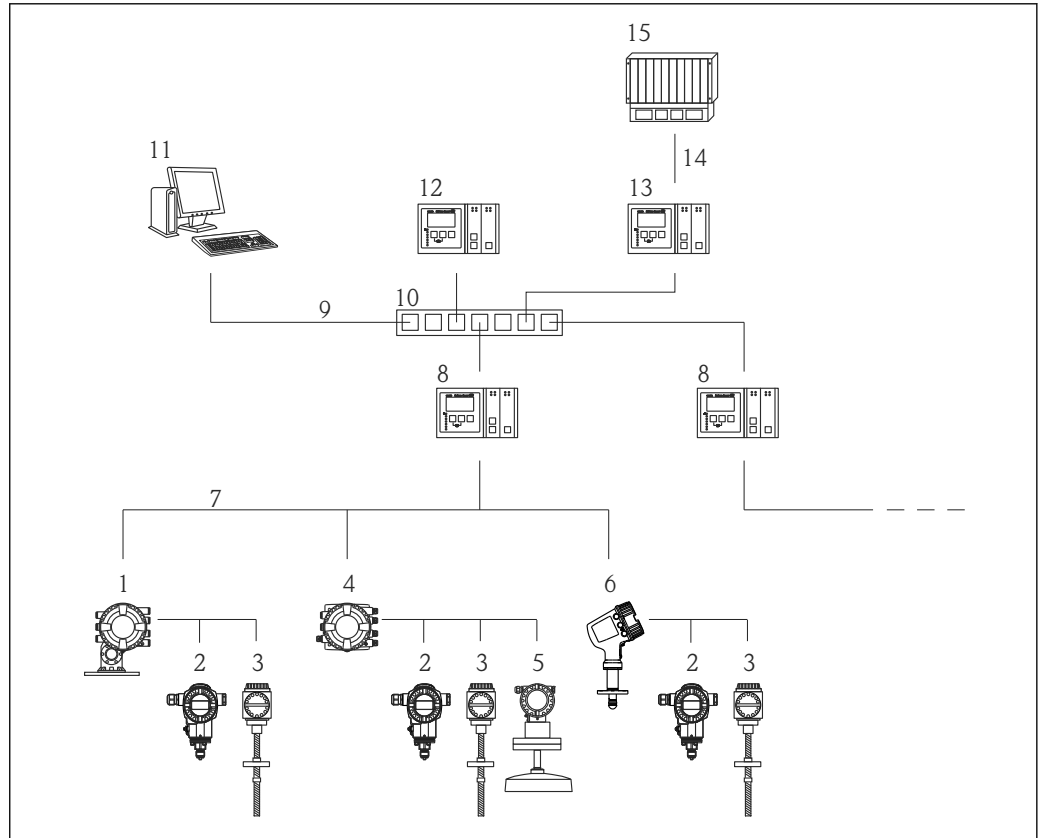
3 Micropilot

4 Field protocol transmits data to an inventory control system

5 Inventory control system (e.g. Tankvision NXA820 or Tankvision Professional NXA85)

Measuring system

- From single tank level measurement to the largest oil refinery applications, Endress+Hauser tank gauging devices are an integral part of tank farm management solutions. A wide variety of data output protocols are available for seamless integration into many commonly used systems.
- A primary example is Tankvision from Endress+Hauser. Tankvision is a scalable system offering local tank management for multiple loops via Modbus or V1 protocols. Accumulated data is available to DCS and other plant management systems via a Host Link.



A0027700

4 Integration of tank gauging devices into an inventory management system (typical example)

- 1 Proservo NMS8x
- 2 Pressure transmitter (e.g. Cerabar)
- 3 Temperature transmitter (e.g. Prothermo)
- 4 Tankside Monitor NRF81
- 5 Micropilot S FMR5xx
- 6 Micropilot NMR8x
- 7 Field protocol (e.g. Modbus, V1)
- 8 Tankvision Tank Scanner NXA820
- 9 Ethernet
- 10 Ethernet switch
- 11 Internet Browser
- 12 Tankvision Data Concentrator NXA821
- 13 Tankvision Host Link NXA822
- 14 Modbus
- 15 DCS or PLC

Input/output

Level measurement

Measured variable

The measured variable is the distance between a reference point (mounting flange) and a reflective surface (e.g. product surface).

Maximum measuring range

The maximum measuring range depends on the dielectric constant ϵ_r of the measured medium and on the size of the antenna:

Dielectric constant ϵ_r	Antenna ¹⁾		
	50mm/2"	80mm/3"	100mm/4"
1.4 to 1.9	4 m (13 ft)	15 m (49 ft)	25 m (82 ft)
1.9 to 4	8 m (26 ft)	30 m (98 ft)	50 m (164 ft) ²⁾
4 to 10	20 m (66 ft)	60 m (197 ft) ²⁾	70 m (230 ft) ²⁾
> 10	30 m (98 ft)	70 m (230 ft) ²⁾	70 m (230 ft) ²⁾

1) Feature 100 of the product structure

2) For devices with Weight+Measure approval: Maximum measuring range: 30 m (97 ft)

i For dielectric constants (DC values) of many media commonly used in various industries refer to:

- the Endress+Hauser DC manual (CP01076F)
- the Endress+Hauser "DC Values App" (available for Android and iOS)

i For devices with Weight+Measure approval (option NTA, NTC, PTA or PTC of ordering feature 150 "Accuracy, Weight + Measure Approval"): Maximum measuring range: 0.8 to 30 m (2.6 to 97 ft)

i The actual usable measuring range depends on additional criteria like the mounting location or possible interference reflections.

i Minimum distance from flange to product surface: 0.8 m (2.6 ft)

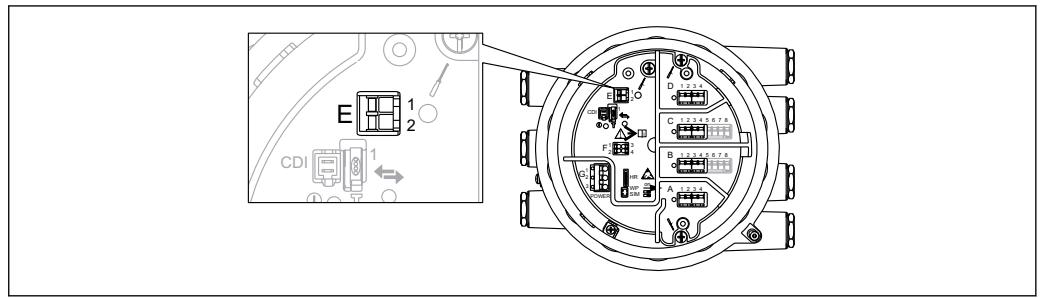
Operating frequency

Device	Operating frequency
NMR81	approx. 80 GHz

Transmitting power

Device	Peak pulse power	Average output power
NMR81	6.3 mW	63 μ W

HART Ex ia/IS active input



A0027364

5 HART Ex ia/IS active input

E1 HART +

E2 HART -

The device has a HART Ex ia/IS active input. Additional features are provided if the following Endress+Hauser devices are connected:

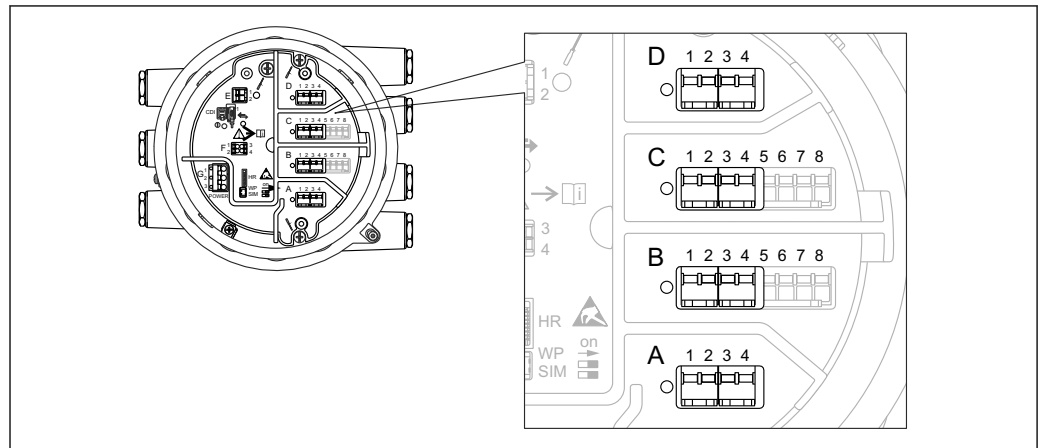
Prothermo NMT

The measured level is transmitted to the Prothermo. Prothermo uses this level to calculate the average temperature of the product.

Technical data

Transmitter power supply voltage	23.0 V - $380 \Omega \cdot I_{load}$
Maximum load	500 Ω including signal line
Maximum current of all connected devices	24 mA

i The HART Ex ia/IS active input is available by default. It needs not to be chosen explicitly when ordering a device.



A0027363

6 Position of the I/O modules in the terminal compartment

The terminal compartment contains up to four I/O modules, depending on the order code.

- Modules with four terminals can be in any of these slots.
- Modules with eight terminals can be in slot B or C.

i The exact assignment of the modules to the slots is dependent on the device version. For a detailed description refer to the Operating Instructions of the device in question.

- i** The following restrictions apply when selecting the modules:
- The device may contain a maximum of four I/O modules.
 - A maximum of two I/O modules with 8 terminals is possible.

Ordering feature 040: "Primary Output"

NMx8x - xxxx <u>XX</u> xx xx ... 040				
Option	Number of I/O modules	Type of I/O module	Number of terminals	Technical data
A1	1	Modbus RS485	4	→ 11
B1	1	V1	4	→ 12
E1	1	4-20mA HART Ex d/XP	8	→ 13
H1	1	4-20mA HART Ex i/IS	8	→ 13

Ordering feature 050: "Secondary IO Analogue"

NMx8x - xxxx xx <u>XX</u> xx ... 050				
Option	Number of I/O modules	Type of I/O module	Number of terminals	Technical data
A1	1	1 x "Ex d/XP 4-20mA HART + RTD input"	1 x 8	→ 13
A2	2	2 x "Ex d/XP 4-20mA HART + RTD input"	2 x 8	→ 13
B1	1	1 x "Ex i/IS 4-20mA HART+ RTD input"	1 x 8	→ 13
B2	2	2 x "Ex i/IS 4-20mA HART+ RTD input"	2 x 8	→ 13
C2	2	1 x "Ex i/IS 4-20mA HART + RTD input" 1 x "Ex d/XP 4-20mA HART + RTD input"	2 x 8	→ 13
X0	0	none	0	-

Ordering feature 060: "Secondary IO Digital Exd"

NMx8x - xxxx xx xx <u>XX</u> ... 060				
Option	Number of I/O modules	Type of I/O module	Number of terminals	Technical data
A1	1	1 x "2x relay + 2x discrete I/O"	1 x 4	→ 15
A2	2	2 x "2x relay + 2x discrete I/O"	2 x 4	→ 15
A3	3	3 x "2x relay + 2x discrete I/O"	3 x 4	→ 15
B1	1	1x "Modbus RS485"	1 x 4	→ 11
B2	2	1x "Modbus RS485" 1 x "2x relay + 2x discrete I/O"	2 x 4	→ 11 → 15
B3	3	1x "Modbus RS485" 2 x "2x relay + 2x discrete I/O"	3 x 4	→ 11 → 15
X0	0	none	0	-

"Modbus RS485": Technical data

No. of units	Maximum 15 instruments per loop
Baud rate	Selectable: <ul style="list-style-type: none"> ▪ 600 bit/s ▪ 1 200 bit/s ▪ 2 400 bit/s ▪ 4 800 bit/s ▪ 9 600 bit/s ▪ 19 200 bit/s
Parity	Selectable: <ul style="list-style-type: none"> ▪ Odd ▪ Even ▪ None
Cable	Three-wire cable with screening. The screening must be connected inside the housing.
Termination resistors	To be set as required in specific environments
Topology	<ul style="list-style-type: none"> ▪ Serial bus ▪ Tree structure
Transmission distance	Maximum 1 200 m (3 900 ft) including limbs or branches; branches under 3 m (9.8 ft) are negligible
Instrument address	Each transmitter has an individual bus address configured in the software of the transmitter.
Isolation	Bus inputs are electrically isolated from the other electronics.
Error on alarm	Error message classified according to NAMUR NE 107

"V1": Technical data

No. of units	Maximum 10 instruments per loop
Baud rate	3 300 bit/s
Parity	Selectable: <ul style="list-style-type: none">▪ Odd▪ Even▪ None
Cable	<ul style="list-style-type: none">▪ Two-wire twisted pair; screening recommended▪ Two-wire unshielded
Termination resistors	Not required
Topology	<ul style="list-style-type: none">▪ Serial bus▪ Tree structure
Transmission distance	Maximum 6 000 m (19 700 ft)
Instrument address	Each transmitter has an individual bus address configured in the software of the transmitter.
Isolation	Serial communication circuit isolated from other circuits
Error on alarm	Error message classified according to NAMUR NE 107

"4-20mA HART" I/O module (Ex d/XP or Ex i/IS): Technical data*General data*

No. of units	Max. 6 instruments per loop
Baud rate	1 200 bit/s
Cable	Two-wire, twisted pair screened cable; Core cross section: 0.2 to 2.5 mm ² (24 to 13 AWG)
Topology	<ul style="list-style-type: none"> ▪ Serial bus ▪ Tree structure
Transmission distance	Maximum 1 200 m (3 900 ft)
Instrument address	Each transmitter on a signal loop has an individual bus address. This is defined within the transmitter software and / or auxiliary configuration environment such as host system or Field Communicator 475.
Isolation	Bus inputs are electrically isolated from the other electronics

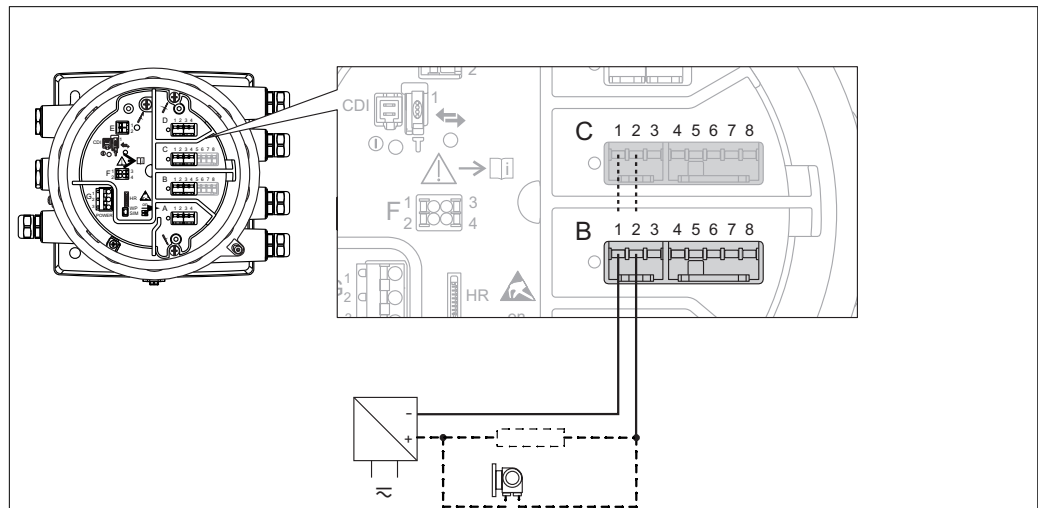
Input data

Input operating modes	<ul style="list-style-type: none"> ▪ 4..20mA input (1 external device) ▪ HART master+4..20mA input (1 external device) ▪ HART master (up to 6 external devices)
Internal load (to ground)	400 Ω
Measuring range	0 to 26 mA
Accuracy	±15 µA (after linearization and calibration)
Connection of a Prothermo NMT	The measured level is transmitted to the Prothermo. Prothermo uses this level to calculate the average temperature of the product.
Connection of a RTD temperature probe	2-, 3- or 4-wire connection

Output data

Output operating modes	<ul style="list-style-type: none"> ▪ 4..20mA output ▪ HART slave +4..20mA output
Output current	3 to 24 mA
Accuracy	±15 µA (after linearization and calibration)
Error on alarm	HART error message classified according to NAMUR NE 107

Data for passive usage (input or output)



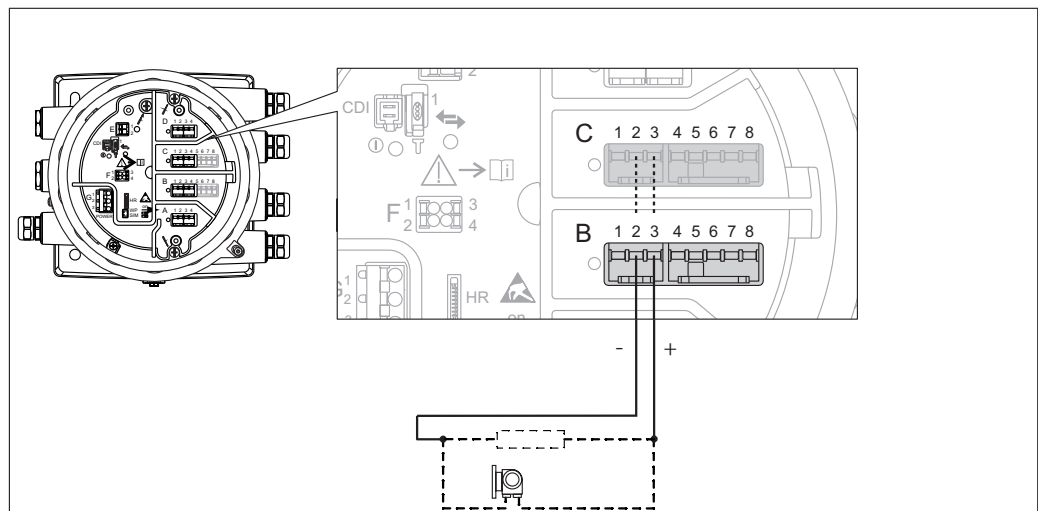
A0033030

7 Passive input or output: Use terminals 1 and 2

Minimum terminal voltage	10.4 V ¹⁾
Maximum terminal voltage	29 V ¹⁾

1) Observing these values is mandatory in order to ensure correct measured value information.

Data for active usage (input or output)



A0033031

8 Active input or output: Use terminals 2 and 3

Transmitter power supply voltage (Ex d/XP)	18.5 V - 360 Ω · I _{load}
Transmitter power supply voltage (Ex i/IS)	20.0 V - 360 Ω · I _{load}
Output load	max. 500 Ω including signal line ¹⁾

1) Observing this value is mandatory in order to ensure correct measured value information.

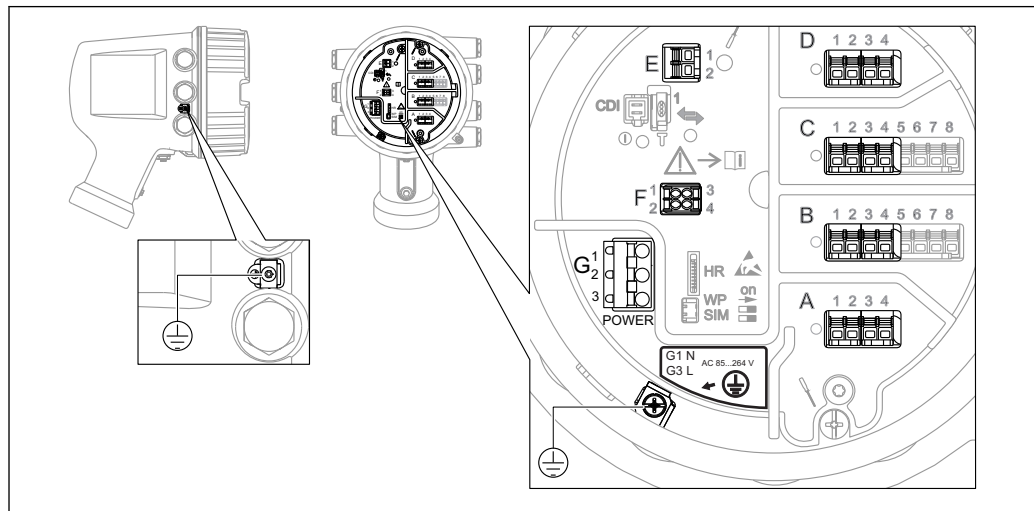
"Digital I/O module": Technical data

Output	
Relay switching power for resistive load	<ul style="list-style-type: none"> ▪ 30 V_{DC} @ 2 A ▪ 250 V_{DC} @ 0.1 A ▪ 250 V_{AC} @ 2 A
Relay type	normally open; can be set to "normally closed" by a software option ¹⁾
Input	
Maximum pick-up voltage	<ul style="list-style-type: none"> ▪ 250 V_{AC} ▪ 250 V_{DC}
Minimum pick-up voltage	<ul style="list-style-type: none"> ▪ 25 V_{AC} ▪ 5 V_{DC}
Current consumption at maximum voltage	<ul style="list-style-type: none"> ▪ ≤ 1 mA (DC) ▪ ≤ 2 mA (AC)

- 1) In case of a power supply failure, the switching state is always "open", irrespectiv of the selected software option.

Power supply

Terminal assignment



9 Terminal compartment (typical example) and ground terminals

Terminal area	Module
A/B/C/D (slots for I/O modules)	<p>Up to four I/O modules, depending on the order code</p> <ul style="list-style-type: none"> Modules with four terminals can be in any of these slots. Modules with eight terminals can be in slot B or C. <p>i The exact assignment of the modules to the slots is dependent on the device version. For a detailed description refer to the Operating Instructions of the device in question.</p>
E	<p>HART Ex i/IS interface</p> <ul style="list-style-type: none"> E1: H+ E2: H-
F	<p>Remote display</p> <ul style="list-style-type: none"> F1: V_{CC} (connect to terminal 81 of the remote display) F2: Signal B (connect to terminal 84 of the remote display) F3: Signal A (connect to terminal 83 of the remote display) F4: Gnd (connect to terminal 82 of the remote display)
G	<p>Power supply: 85 to 264 V_{AC}</p> <ul style="list-style-type: none"> G1: N G2: not connected G3: L <p>Power consumption:</p>
	<p>Protective ground connection (M4 screw)</p>

A0018339

Supply voltage

85 to 264 V_{AC}, 50/60 Hz, 28.8 VA¹⁾

1) maximum value; actual value depending on modules installed. 28.8 VA includes the nominal power and the cabling specification has to meet this value. On the other hand, the effective power consumption is 12 W.

Cable entries

Ordering feature 090 "Electrical Connection" ¹⁾	Cable entries (with blind plugs)
A	7 x thread M20
B	7 x thread M25
C	7 x thread G1/2
D	7 x thread G3/4
E	7 x thread NPT1/2
F	7 x thread NPT3/4

1) Position 13 of the order code, e.g. NMx8x-xxxxxxxxxxxxxA...



For the following devices with TIIS Ex d approval, cable glands are attached to the device (see position 1 and 2 of the order code). These cable glands must be used.

- Micropilot NMR81-TA...
- Micropilot NMR81-TC...
- Micropilot NMR81-TE...

Cable specification

Terminals

Terminal	Wire cross section
Signal and power supply <ul style="list-style-type: none"> ■ Spring terminals (NMx8x-xx1...) ■ Screw terminals (NMx8x-xx2...) 	0.2 to 2.5 mm ² (24 to 13 AWG)
Ground terminal in the terminal compartment	max. 2.5 mm ² (13 AWG)
Ground terminal at the housing	max. 4 mm ² (11 AWG)

Power supply line

Standard device cable is sufficient for the power line.

Analog signal lines

Screened cable must be used for:

- the 4...20mA signal lines.
- the RTD connection.

HART communication line

Shielded cable is recommended if using the HART protocol. Observe the grounding concept of the plant.

Modbus communication line

- Observe the cable conditions from the TIA-485-A, Telecommunications Industry Association.
- Additional conditions: Use shielded cable.

V1 communication line

- Two wire (twisted pair) screened or un-screened cable
- Resistance in one cable: ≤ 120 Ω
- Capacitance between lines: ≤ 0.3 μF

Overvoltage protection

On the communication and power lines; according to IEC 60060-1 /DIN 60079-14:
10 kA, 8/20 μs, 10 pulses according to IEC 60060-1 / DIN 60079-14

Performance characteristics

Sampling rate > 3.3 s⁻¹

Reference operating conditions According to OIML R85 (2008)

- Temperature: -25 to +55 °C (-13 to 131 °F)
- Atmospheric pressure
- Relative humidity (air): 65 % ±15 %
- Medium with good reflectivity and calm surface
- Signal beam hits the tank wall only at one side
- No major interference reflections inside the signal beam

Measured value resolution ≤ 0.1 mm (0.004 in)

Maximum measured error The following values are valid for a measuring distance up to 30 m (100 ft)

Ordering feature 150 "Accuracy, Weight + Measure Approval" ¹⁾	Maximum measured error
<ul style="list-style-type: none"> ▪ NTA: Maximum Performance, NMI type approval ▪ PTA: Maximum Performance, PTB type approval 	±0.5 mm (±0.02 in)
<ul style="list-style-type: none"> ▪ NTC: Custody transfer type approval according to NMI ▪ PTC: Custody transfer type approval according to PTB 	±1 mm (±0.04 in)
<ul style="list-style-type: none"> ▪ ICR: Standard version, w/o calibration certificate ▪ ICW: Standard version, 3-point calibration certificate ▪ ICX: Standard version, 5-point calibration certificate 	±1 mm (±0.04 in)

1) Position 21 to 23 in the order code (e.g. NMR8x-xxxxxxxxxxxxxxxxxxxxxICR...)

Hysteresis 0.2 mm (0.008 in)

Repeatability 0.2 mm (0.008 in)

Linearity Within maximum measured error

Long-term drift Within the specified error of measurement

Influence of ambient temperature Within the specified accuracy according to OIML R85 (2008)

Installation

Installation conditions

Mounting position

General conditions

- Do not install in the centre of the tank.
- Do not install above a filling stream.
- Avoid any tank installations (e.g. limit switches, temperature probes) within in the signal beam.

Minimum wall distance

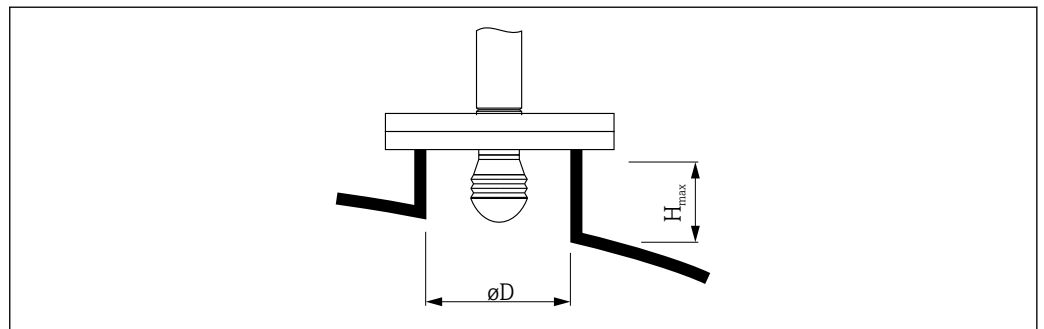
Measuring range	Minimum wall distance		
	Antenna 50mm/2" ¹⁾	Antenna 80mm/3" ²⁾	Antenna 100mm/4" ³⁾
5 m (16 ft)	0.3 m (0.98 ft)	0.17 m (0.55 ft)	0.13 m (0.44 ft)
10 m (33 ft)	0.6 m (1.9 ft)	0.33 m (1.1 ft)	0.27 m (0.87 ft)
15 m (49 ft)	0.9 m (2.9 ft)	0.5 m (1.6 ft)	0.4 m (1.3 ft)
20 m (66 ft)	1.2 m (3.9 ft)	0.67 m (2.2 ft)	0.53 m (1.7 ft)
25 m (82 ft)	1.5 m (4.9 ft)	0.83 m (2.7 ft)	0.67 m (2.2 ft)
30 m (98 ft)	1.8 m (5.9 ft)	1.0 m (3.3 ft)	0.8 m (2.6 ft)

1) Ordering feature 100 "Antenna", option AB

2) Ordering feature 100 "Antenna", option AC

3) Ordering feature 100 "Antenna", option AD

Mounting nozzle



A0032956

Inner nozzle diameter (ØD)	Maximum nozzle length (H _{max}) ¹⁾		
	Antenna AB ²⁾ : 50mm/2"	Antenna AC ²⁾ : 80mm/3"	Antenna AD ²⁾ : 100mm/4"
> 45 mm (1.77 in); ≤ 75 mm (2.95 in)	600 mm (24 in)	-	-
> 75 mm (2.95 in); ≤ 95 mm (3.74 in)	1000 mm (40 in)	1700 mm (68 in)	-
> 95 mm (3.74 in); ≤ 150 mm (5.91 in)	1250 mm (50 in)	2150 mm (86 in)	2850 mm (114 in)
> 150 mm (5.91 in)	1850 mm (74 in)	3200 mm (128 in)	4300 mm (172 in)

1) In case of longer nozzles, a reduced measuring performance is to be expected.

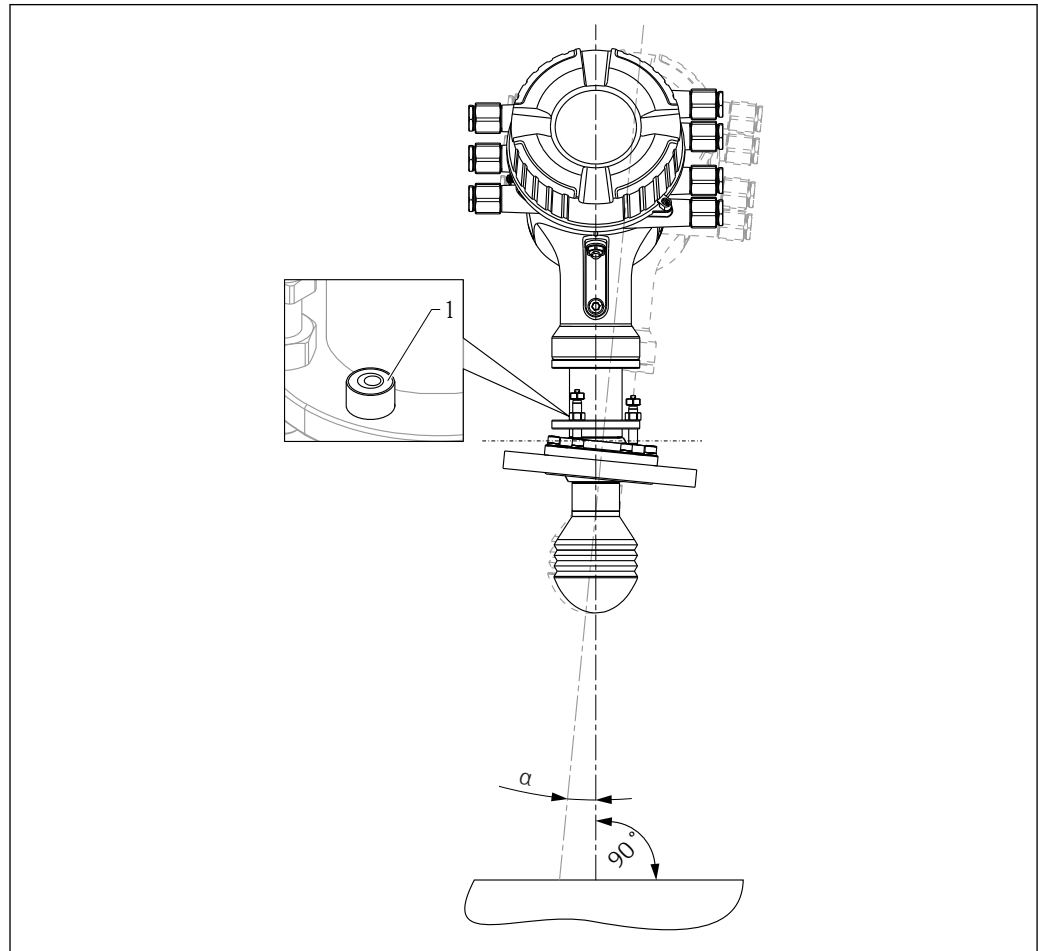
2) Feature 100 of the product structure

Vertical alignment of the 50mm(2") and 80mm (3") antenna

For optimum measuring accuracy the antenna must be installed at right angles to the medium surface. An adjustable seal is available for the alignment → 40.

Vertical alignment of the 100mm(4") antenna

For optimum measuring accuracy the antenna must be installed at right angles to the medium surface. For this purpose the 100mm(4") antenna always has an alignment unit. A level tool indicating the correct alignment is attached to the alignment tool.




A0027776


10 Alignment unit of the 100mm(4") antenna

1 Level tool indicating the correct alignment

α Alignment angle; $\alpha_{max} = 25^\circ$

Environment

Ambient temperature range	Device	-40 to +60 °C (-40 to +140 °F)
	Display module	-20 to +70 °C (-4 to +158 °F)  The readability of the display may be impaired at temperatures outside this temperature range.

Ambient temperature limits  The following diagrams take into account only functional aspects. There may be further restrictions for certified device versions. Please refer to the separate Safety Instructions.

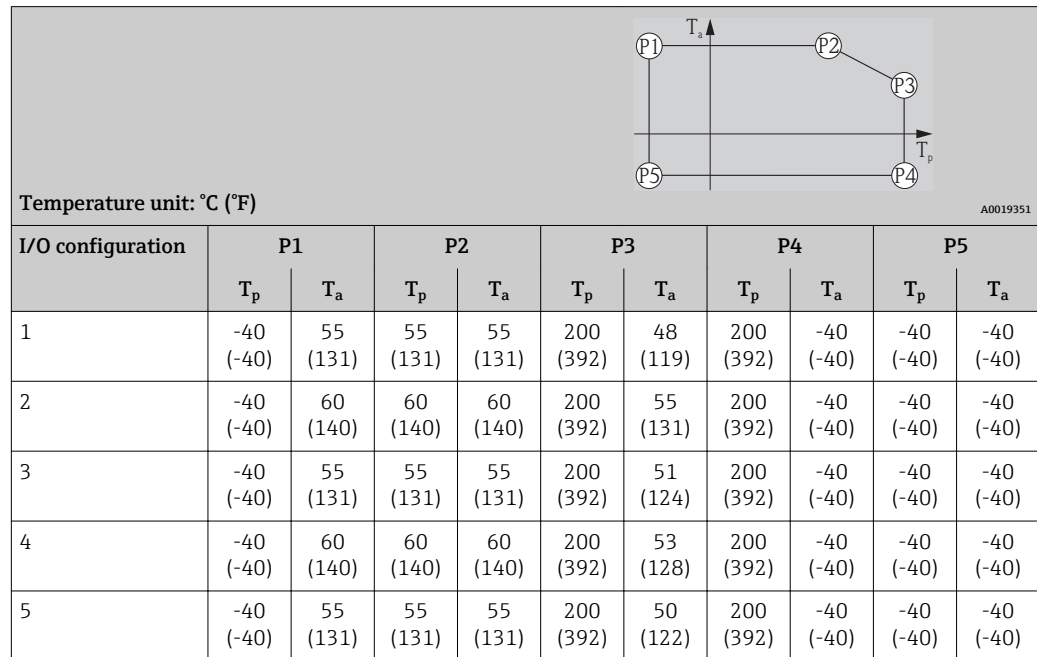
Device configuration

The ambient temperature limits depend on the I/O modules present in the slots of the terminal compartment. Data are given for the following five typical configurations:

I/O configuration				
				A0023888
1 (worst case)	✓	✓	✓	✓
2 (best case)	-	-	-	-
3	✓	✓	-	-
4	✓	-	-	-
5	✓	✓	-	✓

With a temperature (T_p) at the process connection the admissible ambient temperature (T_a) is reduced according to the following diagram (temperature derating):

Ambient temperature limits for NMR81



Classification of environmental conditions according to DIN EN 60721-3-4

4K5, 4K6, 4B1, 4M7, 4Z2, 4Z3, 4Z8

Storage temperature

-50 to +80 °C (-58 to +176 °F)

Humidity

≤ 95 %

Degree of protection

- IP68/66 according to DIN EN 60529
- Type 6P/4x according to NEMA 250

Shock resistance

- 30 g (18 ms) according to DIN EN 60068-2-27 (1993)
- Classification according to DIN EN 60721-3-4: 4M7

Vibration resistance

- 20 to 2 000 Hz, 1 (m/s²)/Hz according to DIN EN 60068-2-64 (1994)
- This corresponds to an acceleration value of 4.5 g and fulfills class 4M7 of DIN EN 60721-3-4 (1995)

Electromagnetic compatibility (EMC)


- Transient emissions according to DIN EN 61326, class B
- Interference resistance according to DIN EN 61326, Appendix A (Industry use) and NAMUR recommendation NE21


Process

Process temperature range	Device	Process temperature range
	NMR81	-40 to +200 °C (-40 to +392 °F)

Process pressure range	Device	Process pressure range
	NMR81	-1 to +16 bar (-14.5 to +232 psi)

Dielectric constant	Application	Dielectric constant
	Free space	$\epsilon_r \geq 1.4$ ¹⁾


1) For the dependence of the measuring range on the dielectric constant: →  8

-  For dielectric constants (DC values) of many media commonly used in various industries refer to:
- the Endress+Hauser DC manual (CP01076F)
 - the Endress+Hauser "DC Values App" (available for Android and iOS)

Custody transfer approval

Ordering feature 150 "Accuracy, Weight + Measure Approval" ¹⁾	Accuracy properties
ICR	Standard version (± 1 mm), without calibration certificate
ICW	Standard version (± 1 mm), 3-point calibration certificate
ICX	Standard version (± 1 mm), 5-point calibration certificate
NTA	Maximum performance (± 0.5 mm), type approval according to NMI, OIML R85, API 3.1B, ISO4622, factory calibration certificate
NTC	Custody transfer (± 1 mm) type approval according to NMI, OIML R85, API 3.1B, ISO4622, factory calibration certificate
PTA	Maximum performance (± 0.5 mm), PTB type approval, factory calibration certificate
PTC	Custody transfer (± 1 mm) type approval per PTB, factory calibration certificate

1) Position 21 to 23 in the order code (e.g. NMR8x-xxxxxxxxxxxxxxxxxxxxxICR...)

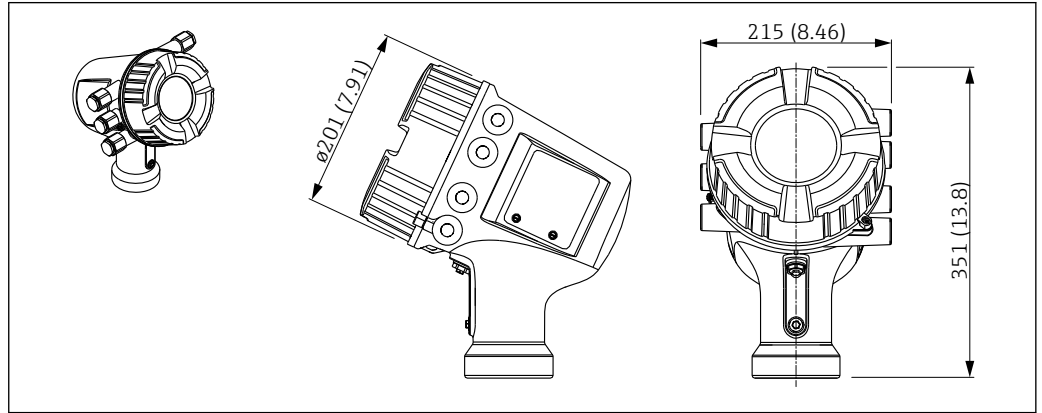
 Micropilot NMR8x that are certified for Custody Transfer applications are calibrated on a certified production rig. The production rig reference standard is a laser tracker with an absolute accuracy of ± 0.016 mm and a resolution of 0.0001 mm. Calibration is performed at 10 equally-spaced measuring points over the full measuring range.

The Maximum Permissible Error (MPE) is ± 0.5 mm (± 0.02 in) for Maximum performance models, and ± 1 mm (± 0.04 in) for Custody transfer models. The resultant Factory Calibration Certificate is included in the scope of delivery along with the respective type approval certificate.

Mechanical construction

Dimensions

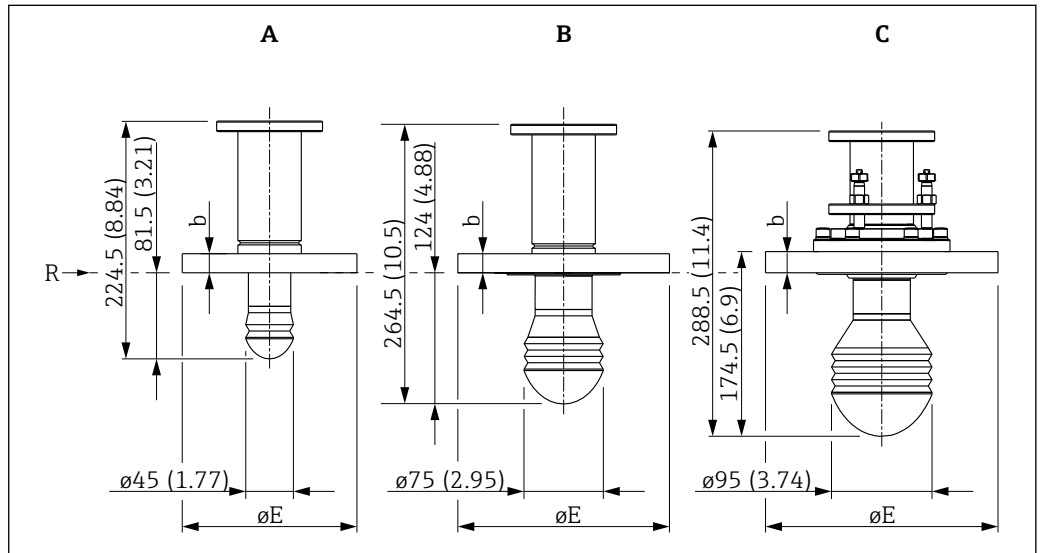
Housing



A0023482

11 Dimensions of the electronics housing; unit of measurement: mm (in); adapters for cable entries are not taken into account in this drawing.

Process connection and sensor



A0023871

12 Antenna size; unit of measurement: mm (in)

- A Antenna: 50mm/2"
- B Antenna: 80mm/3"
- C Antenna: 100mm/4"
- R Reference point of the measurement

Flanges according to ASME B16.5

Pressure rating ¹⁾	Dimension	Nominal diameter ¹⁾					
		2"	3"	4"	6"	8"	10"
150 lbs	b	19.1 mm (0.75 in)	23.9 mm (0.94 in)	23.9 mm (0.94 in)	25.4 mm (1 in)	28.4 mm (1.12 in)	30.2 mm (1.19 in)
	ΦE	Φ152.4 mm (6 in)	Φ190.5 mm (7.5 in)	Φ228.6 mm (9 in)	Φ279.4 mm (11 in)	Φ342.9 mm (13.5 in)	Φ406.4 mm (16 in)
300 lbs	b	22.4 mm (0.88 in)	28.4 mm (1.12 in)	31.8 mm (1.25 in)	36.6 mm (1.44 in)	-	-
	ΦE	Φ165.1 mm (6.5 in)	Φ209.5 mm (8.25 in)	Φ254 mm (10 in)	Φ317.5 mm (12.5 in)	-	-

1) Ordering feature 140 (position 18 to 20 of the order code)

Flanges according to EN1092-1 (suitable for DIN2527)

Pressure rating ¹⁾	Dimension	Nominal diameter ¹⁾					
		DN50	DN80	DN100	DN150	DN200	DN250
<ul style="list-style-type: none"> ■ PN10 ■ PN16 	b	18 mm (0.71 in)	20 mm (0.79 in)	20 mm (0.79 in)	22 mm (0.87 in)	24 mm (0.94 in)	26 mm (1.02 in)
	ΦE	Φ165 mm (6.5 in)	Φ200 mm (7.87 in)	Φ220 mm (8.66 in)	Φ285 mm (11.2 in)	Φ340 mm (13.4 in)	Φ405 mm (15.9 in)
<ul style="list-style-type: none"> ■ PN25 ■ PN40 	b	20 mm (0.79 in)	24 mm (0.94 in)	24 mm (0.94 in)	28 mm (1.1 in)	-	-
	ΦE	Φ165 mm (6.5 in)	Φ200 mm (7.87 in)	Φ235 mm (9.25 in)	Φ300 mm (11.8 in)	-	-

1) Ordering feature 140 (position 18 to 20 of the order code)

Flanges according to JIS B2220

Pressure rating ¹⁾	Dimension	Nominal diameter ¹⁾					
		50A	80A	100A	150A	200A	250A
10 K	b	16 mm (0.63 in)	18 mm (0.71 in)	18 mm (0.71 in)	22 mm (0.87 in)	22 mm (0.87 in)	24 mm (0.94 in)
	ΦE	Φ155 mm (6.1 in)	Φ185 mm (7.28 in)	Φ210 mm (8.27 in)	Φ280 mm (11 in)	Φ330 mm (13 in)	Φ400 mm (15.7 in)

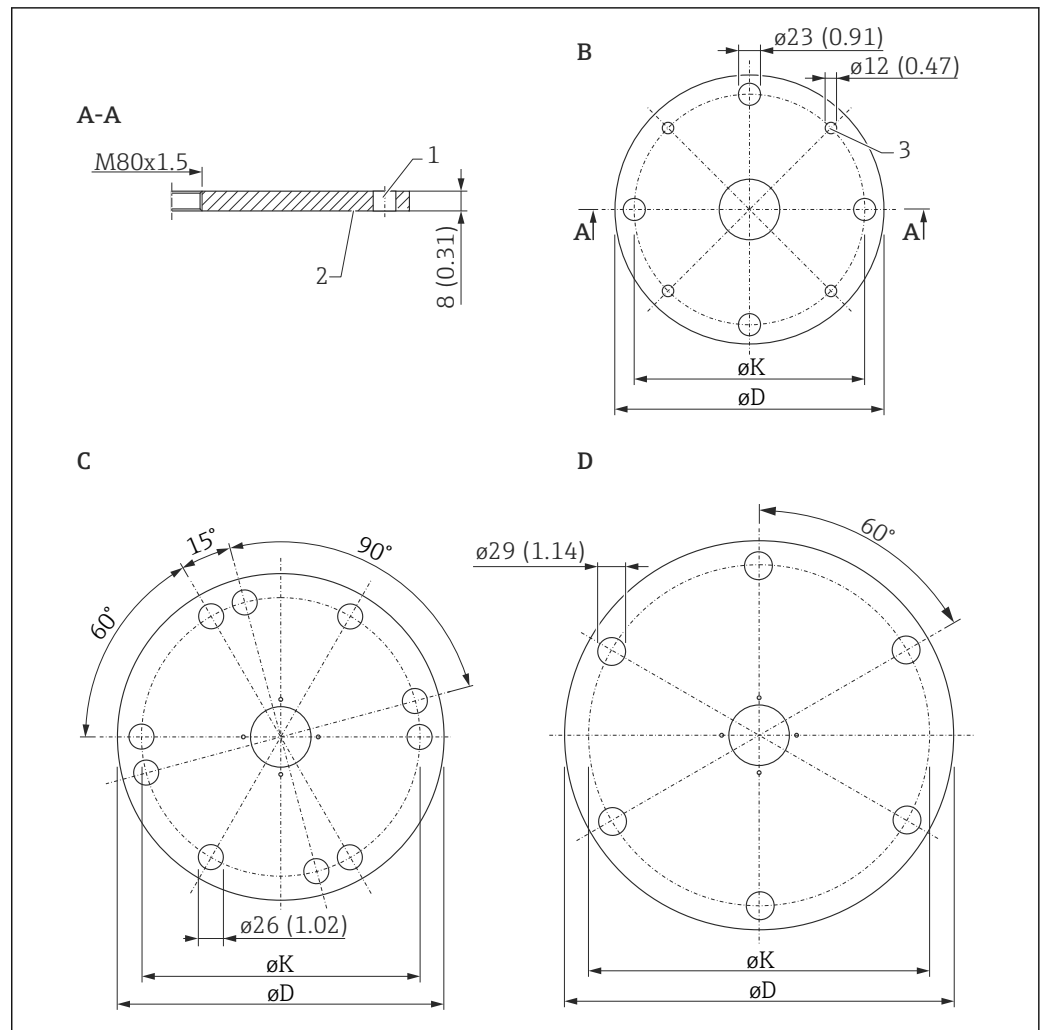
1) Ordering feature 140 (position 18 to 20 of the order code)

Flanges according to JPI 7S-15

Pressure rating ¹⁾	Dimension	Nominal diameter ¹⁾		
		80A	100A	150A
150 lbs	b	23.9 mm (0.94 in)	23.9 mm (0.94 in)	25.4 mm (1 in)
	ΦE	Φ190.5 mm (7.5 in)	Φ228.6 mm (9 in)	Φ279.4 mm (11 in)
300 lbs	b	28.4 mm (1.12 in)	31.8 mm (1.25 in)	25.4 mm (1 in)
	ΦE	Φ209.5 mm (8.25 in)	Φ254 mm (10 in)	Φ279.4 mm (11 in)

1) Ordering feature 140 (position 18 to 20 of the order code)

UNI flanges



A0027691

13 UNI flanges

- B UNI flange DN150/6"/150
- C UNI flange DN200/8"/200
- D UNI flange DN250/10"/250

Position	Option of ordering feature 140 ("Process Connection") ¹⁾	Suitable for	øD	øK	Material
B	RKJ	<ul style="list-style-type: none"> ■ DN150, PN10/16 (EN1092-1) ■ NPS 6" Cl. 150 (ASME B16.5) ■ 10K 150A (JIS B2220) 	280 mm (11.0 in)	240 mm (9.45 in)	1.4301
C	RLJ	<ul style="list-style-type: none"> ■ DN200, PN10/16 (EN1092-1) ■ NPS 8" Cl. 150 (ASME B16.5) ■ 10K 200A (JIS B2220) 	340 mm (13.4 in)	294.5 mm (11.6 in)	
D	RMJ	<ul style="list-style-type: none"> ■ DN250, PN10/16 (EN1092-1) ■ NPS 10" Cl. 150 (ASME B16.5) ■ 10K 250A (JIS B2220) 	405 mm (15.9 in)	358 mm (14.1 in)	

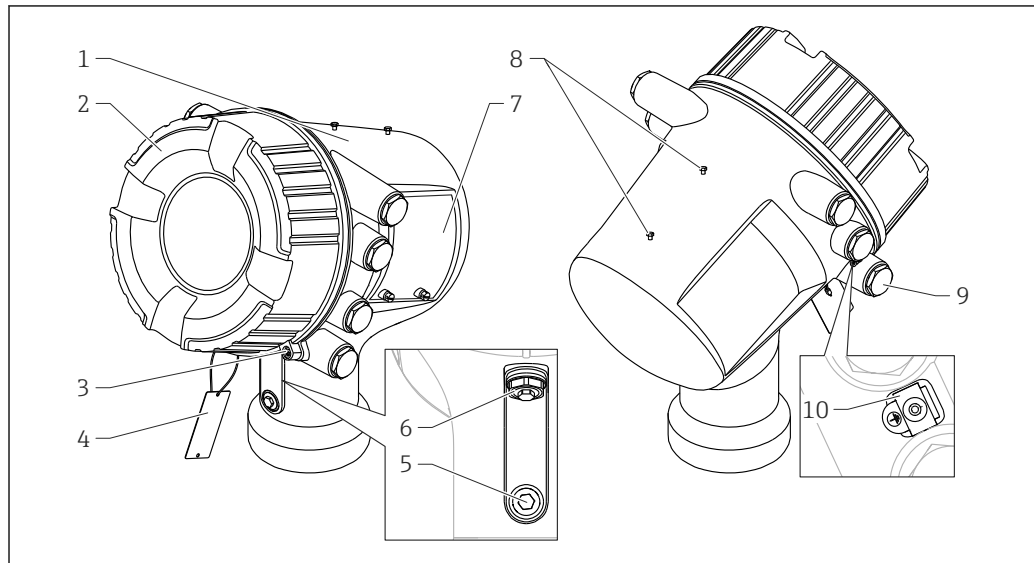
1) Position 18 to 20 of the order code)

Weight

- Housing with electronics: approx. 12 kg (26 lb)
- Sensor and process connection: 6 to 36 kg (13 to 80 lb); dependent on the device version

Materials

Materials of housing



A0027788

Pos.	Part	Materials for Aluminum version ¹⁾	Materials for stainless steel version ²⁾
1	Housing	AC 43000 T6	316L (1.4404)
2	Cover	<ul style="list-style-type: none"> ▪ Cover: AC 43000 T6 ▪ Window: Glass ▪ Seal: FVMQ ▪ Thread-coating: Graphite-based lubricant varnish 	<ul style="list-style-type: none"> ▪ Cover: 316L (1.4404) ▪ Window: Glass ▪ Seal: FVMQ ▪ Thread-coating: Graphite-based lubricant varnish
3	Cover lock	<ul style="list-style-type: none"> ▪ Capstan screw: 316L (1.4404) ▪ Clamp: 316L (1.4435) 	<ul style="list-style-type: none"> ▪ Capstan screw: 316L (1.4404) ▪ Clamp: 316L (1.4435)
4	Tag for measuring point label	316L (1.4404)	316L (1.4404)
5	Pressure release stopper for Ex i/IS chamber	316L (1.4404)	316L (1.4404)
6	Pressure release stopper for Ex d/XP chamber	<ul style="list-style-type: none"> ▪ Stopper: 316L (1.4404) ▪ O-ring: EPDM 	<ul style="list-style-type: none"> ▪ Stopper: 316L (1.4404) ▪ O-Ring: EPDM
7	Nameplate	<ul style="list-style-type: none"> ▪ Sticker: Plastic ▪ Sealing screw: A4 ▪ O-ring: FKM 	<ul style="list-style-type: none"> ▪ Nameplate: 316L (1.4404) ▪ Groove pins: 316Ti (1.4571) ▪ Sealing screw: A4 ▪ O-ring: FKM
8	Dummy screws for weather protection cover	<ul style="list-style-type: none"> ▪ Screw: A4-70 ▪ O-ring: EPDM 	<ul style="list-style-type: none"> ▪ Screw: A4-70 ▪ O-ring: EPDM

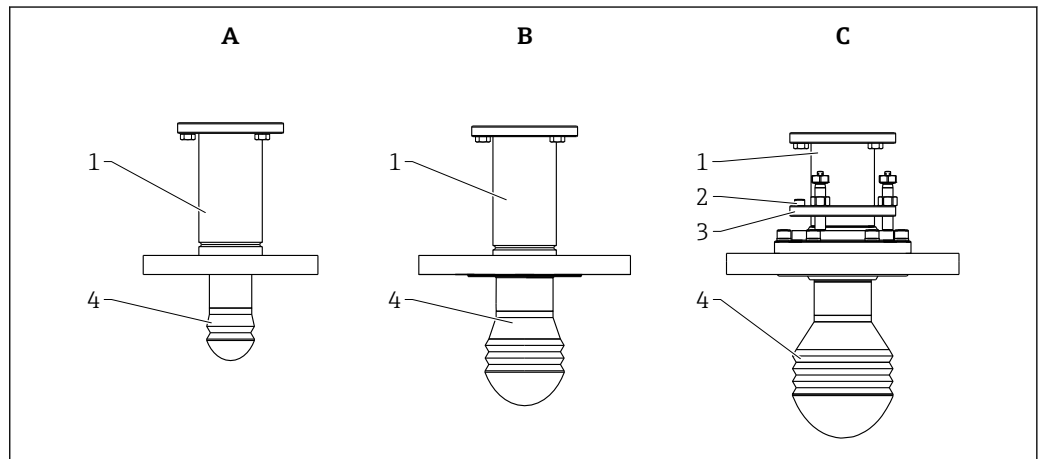
Pos.	Part	Materials for Aluminum version ¹⁾	Materials for stainless steel version ²⁾
9	Dummy plug, cable gland or adapter ³⁾	<ul style="list-style-type: none"> ■ Dummy plug <ul style="list-style-type: none"> - 1.4435 - LD-PE ■ Adapter: <ul style="list-style-type: none"> - Ms/Ni (TIIS) - 1.4404 (other versions) ■ Seal: <ul style="list-style-type: none"> - EPDM - NBR - PTFE tape 	<ul style="list-style-type: none"> ■ Dummy plug <ul style="list-style-type: none"> - 1.4435 - LD-PE ■ Adapter: <ul style="list-style-type: none"> - Ms/Ni (TIIS) - 1.4404 (other versions) ■ Seal: <ul style="list-style-type: none"> - EPDM - NBR - PTFE tape
10	Ground terminal	<ul style="list-style-type: none"> ■ Screw: A4-70 ■ Spring washer: A4 ■ Clamp and holder: 316L (1.4404) 	<ul style="list-style-type: none"> ■ Screw: A4-70 ■ Spring washer: A4 ■ Clamp and holder: 316L (1.4404)

1) Ordering feature 070 "Housing", Option "AA"; position 11/12 of the order code: NXXXX-xxxxxxxxxxAA...

2) Ordering feature 070 "Housing", Option "BA"; position 11/12 of the order code: NXXXX-xxxxxxxxxxBA...

3) Depending on device version

Materials for antenna and process connection



A0026322

Pos.	Part	Material
1	Shaft and flange	<ul style="list-style-type: none"> ■ Shaft and flange: 316L (1.4404) ■ Screws to housing: A2 ■ Spring washer: 316L (1.4404) ■ Insulating sleeve: PPS-GF40 ■ Set screw: A4
2	Level tool	303 (1.4305)
3	Alignment unit	<ul style="list-style-type: none"> ■ Locking unit: 316L (1.4404) ■ Seal: FKM/FFKM/HNBR ■ Locking screws: A4 ■ Adjusting bolts: 316 (1.4401) ■ Nuts for adjusting bolts: A4 ■ Capstan head screw: A2; secured by thread-locking fluid
4	Lens antenna	<ul style="list-style-type: none"> ■ Lens: PTFE ■ Seal: FKM/FFKM/HNBR

Operability

Operating concept

Operator-oriented menu structure for user-specific tasks

- Commissioning
- Operation
- Diagnostics
- Expert level

Operating languages

- English
- German
- Japanese

 Feature 500 of the product structure determines which of these languages is preset on delivery.

Quick and safe commissioning

- Guided menus ("Make-it-run" wizards) for applications
- Menu guidance with brief explanations of the individual parameter functions

Reliable operation

Standardized operation at the device and in the operating tools

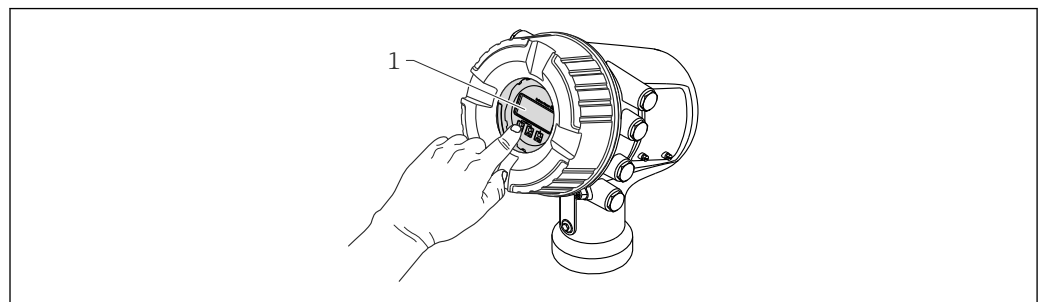
Efficient diagnostics increase measurement reliability

- Remedy information is integrated in plain text
- Diverse simulation options

Operating options

- Local display; operation via the local display is possible without opening the device.
- Tank Gauging system
- Plant Asset Management tool (e.g. FieldCare); connected via
 - HART
 - Service port (CDI)

Local operation






 14 Local operation of the Micropilot NMR81/NMR84

1 Display and operating module

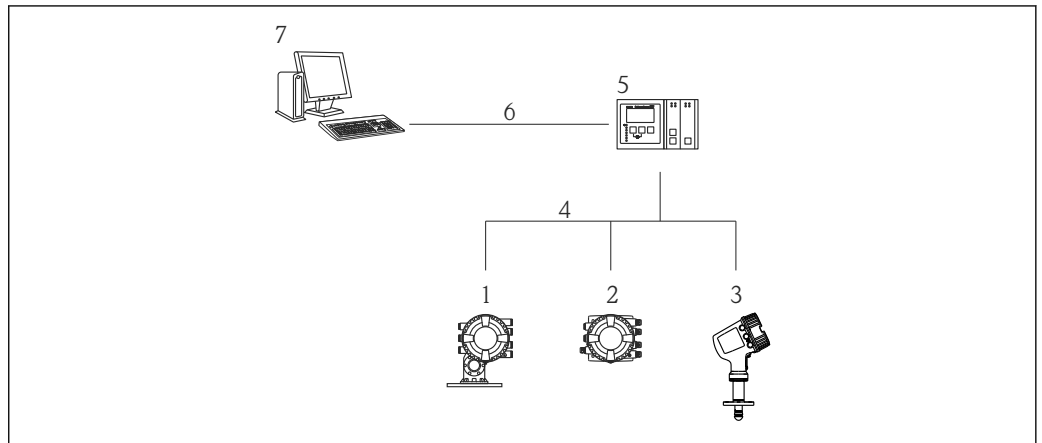
Display elements

- 4-line display
- White background lighting; switches to red in event of device errors
- Format for displaying measured variables and status variables can be individually configured
- Permitted ambient temperature for the display: -20 to $+70$ °C (-4 to $+158$ °F)
The readability of the display may be impaired at temperatures outside the temperature range.

Operating elements

- External operation via touch control; 3 optical keys: , , 
- Operating elements also accessible in various hazardous areas

Remote operation

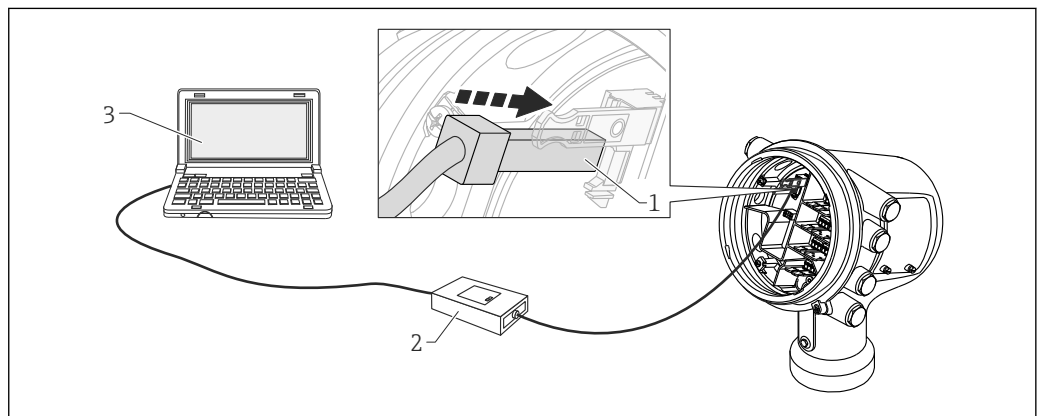


A0025621

15 Remote operation of Tank Gauging devices

- 1 Proservo NMS8x
- 2 Tankside Monitor NRF81
- 3 Micropilot NMR8x
- 4 Field protocol (e.g. Modbus, V1)
- 5 Tankvision Tank Scanner NXA820
- 6 Ethernet
- 7 Computer with operating tool (e.g. FieldCare)

Operation via service interface








A0023737

16 Operation via service interface

- 1 Service interface (CDI = Endress+Hauser Common Data Interface)
- 2 Commubox FXA291
- 3 Computer with "FieldCare" operating tool and "CDI Communication FXA291" COM DTM

Certificates and approvals

 Currently available certificates and approvals can be called up via the product configurator.

CE mark	<p>The measuring system meets the legal requirements of the applicable EC guidelines. These are listed in the corresponding EC Declaration of Conformity together with the standards applied.</p> <p>Endress+Hauser confirms successful testing of the device by affixing to it the CE mark.</p>
RCM-Tick marking	<p>The supplied product or measuring system meets the ACMA (Australian Communications and Media Authority) requirements for network integrity, interoperability, performance characteristics as well as health and safety regulations. Here, especially the regulatory arrangements for electromagnetic compatibility are met. The products are labelled with the RCM- Tick marking on the name plate.</p> <div data-bbox="408 638 1442 772" style="text-align: center;">  </div> <p style="text-align: right; font-size: small;">A0029561</p>
Ex approval	<p>The devices are certified for use in hazardous areas and the relevant safety instructions are provided in the separate "Safety Instructions" (XA) document. Reference is made to this document on the nameplate.</p> <p> The separate documentation "Safety Instructions" (XA) containing all the relevant explosion protection data is available from your Endress+Hauser Sales Center. Allocation of the XA to the device version: →  43</p>
Single seal according to ANSI/ISA 12.27.01	<p>The devices have been designed according to ANSI/ISA 12.27.01 as single seal devices, allowing the user to waive the use and save the cost of installing external secondary process seals in the conduit as required by the process sealing sections of ANSI/NFPA 70 (NEC) and CSA 22.1 (CEC) These instruments comply with the North-American installation practice and provide a very safe and cost-saving installation for pressurized applications with hazardous fluids.</p> <p>Further information can be found in the Safety Instructions (XA) of the relevant devices.</p>
Functional Safety (SIL)	<p>Use for level monitoring (MIN, MAX, range) up to SIL 2 according to IEC 61508:2010.</p> <p>For details refer to the "Functional Safety Manual": SD01891G (NMR81, NMR84)</p>
WHG	<p>in preparation</p>
Weight & Measure approval	<ul style="list-style-type: none"> ■ OIML R85 (2008) ■ NMI ■ PTB ■ PAC ■ WELMEC ■ GOST (in preparation) <p> The device has a sealable locking switch according to the Weight & Measure requirements. This switch locks all software parameters related to the measurement. The switching status is indicated on the display and via the communication protocol.</p>
Radio standard EN302372-1/2	<p>The devices are conform with the TLPR (Tanks Level Probing Radar) standard EN302372-1/2 and can always be used in closed tanks or bins. For installation, points a to f in Annex B of EN302372-1 have to be taken into account.</p>
FCC / Industry Canada	<p>This device complies with Part 15 of the FCC rules. Operation is subject to the following two conditions: (1) This device may not cause harmful interference, and (2) this device must accept any interference received, including interference that may cause undesired operation.</p> <p>This device complies with Industry Canada licence-exempt RSS standard(s). Operation is subject to the following two conditions: (1) This device may not interference, and (2) this device must accept any interference, including interference that may cause undesired operation of the device.</p>

Le présent appareil est conforme aux CNR d'Industrie Canada applicables aux appareils radio exempts de licence. L'exploitation est autorisée aux deux conditions suivantes : (1) l'appareil ne doit pas produire de brouillage, et (2) l'utilisateur de l'appareil doit accepter tout brouillage radioélectrique subi, même si le brouillage est susceptible d'en compromettre le fonctionnement.

[Any] changes or modifications not expressly approved by the party responsible for compliance could void the user's authority to operate the equipment.

Non-ionizing radiation protection

According to guideline 2004/40/EG-ICNIRP Guidelines EN50371

CRN approval

Some device versions have a CRN approval. Devices are CRN approved if the following two conditions are met:

- The CRN approval is selected (Product structure: Feature 590 "Additional Approval", option LD "CRN")
- The device has a CRN approved process connection according to the following table:

Feature 140: Process Connection	Meaning
ADJ	NPS 2" Cl.150 RF, 316/316L, flange ASME B16.5
AFJ	NPS 3" Cl.150 RF, 316/316L, flange ASME B16.5
AGJ	NPS 4" Cl.150 RF, 316/316L, flange ASME B16.5
AHJ	NPS 6" Cl.150 RF, 316/316L, flange ASME B16.5
AJJ	NPS 8" Cl.150 RF, 316/316L, flange ASME B16.5
AKJ	NPS 10" Cl.150 RF, 316/316L, flange ASME B16.5
AQJ	NPS 2" Cl.300 RF, 316/316L, flange ASME B16.5
ASJ	NPS 3" Cl.300 RF, 316/316L, flange ASME B16.5
ATJ	NPS 4" Cl.300 RF, 316/316L, flange ASME B16.5
AUJ	NPS 6" Cl.300 RF, 316/316L, flange ASME B16.5

- Process connections without CRN approval are not included in this table.
- CRN approved devices are marked with the registration number OF18153.5C on the nameplate.

Pressure equipment with allowable pressure ≤ 200 bar (2 900 psi)

Pressure instruments with a flange and threaded boss that do not have a pressurized housing do not fall within the scope of the Pressure Equipment Directive, irrespective of the maximum allowable pressure.

Reasons:

According to Article 2, point 5 of EU Directive 2014/68/EU, pressure accessories are defined as "devices with an operational function and having pressure-bearing housings".

If a pressure instrument does not have a pressure-bearing housing (no identifiable pressure chamber of its own), there is no pressure accessory present within the meaning of the Directive.

Test, certificate

Ordering feature 580 "Test, Certificate"	Designation
JA	3.1 Material certificate, wetted metallic parts, EN10204-3.1 inspection certificate
JB	Conformity to NACE MR0175, wetted metallic parts
JE	Conformity to NACE MR0103, wetted metallic parts
KD	Helium leak test, internal procedure, inspection certificate
KE	Pressure test, internal procedure, inspection certificate
KG	PMI test (XRF), internal procedure, wetted metallic parts, inspection certificate
KP	Liquid penetrant test AD2000-HP5-3(PT), wetted/pressurized metallic parts, inspection certificate

Ordering feature 580 "Test, Certificate"	Designation
KQ	Liquid penetrant test ISO23277-1 (PT), wetted/pressurized metallic parts, inspection certificate
KR	Liquid penetrant test ASME VIII-1 (PT), wetted/pressurized metallic parts, inspection certificate
KS	Welding documentation, wetted/pressurized seams

Other standards and guidelines

Industry standards

- Directive 2002/95/EC: "Restriction of Hazardous Substances Directive" (RoHS)
- Directive 2004/22/EC: "Measuring Instruments Directive" (MID)
- IEC61508: "Functional Safety of Electrical/Electronic/Programmable Electronic Safety-related Systems" (SIL)
- NACE MR 0175, NACE MR 0103: "Sulfide stress cracking resistant metallic materials for oilfield equipment"
- API Recommended Practice 2350: "Overfill Protection for Storage Tanks in Petroleum Facilities"
- API MPMS: "Manual of Petroleum Measurement Standards"
- EN 1127: "Explosive atmospheres - Explosion prevention and protection"
- IEC 60079: "Equipment protection"
- EN 1092: "Flanges and their joints"
- EN 13463: "Non-electrical equipment for use in potentially explosive atmospheres"
- TIA-485-A: "Electrical Characteristics of Generators and Receivers for Use in Balanced Digital Multipoint Systems"
- IEC61511: "Functional safety - Safety instrumented systems for the process industry sector"
- IEEE 754: "Standard for Binary Floating-Point Arithmetic for microprocessor systems"
- ISO4266: "Petroleum and liquid petroleum products - measurement of level and temperature in storage tanks by automatic methods"
- ISO6578: "Refrigerated hydrocarbon liquids - Static measurement - Calculation procedure"
- ISO 11223: "Petroleum and liquid petroleum products - Determination of volume, density and mass of the contents of vertical cylindrical tanks by Hybrid Tank Measurement Systems"
- ISO15169: "Petroleum and liquid petroleum products - Direct static measurement - Measurement of content of vertical storage tanks by hydrostatic tank gauging"
- JIS K2250: "Petroleum Measurement Tables"
- JIS B 8273: "Bolted flange for pressure vessels"
- G.I.I.G.N.L.: "LNG Custody transfer handbook"
- NAMUR NE043: "Standardization of the Signal Level for the Failure Information of Digital Transmitters"
- NAMUR NE107: "Self-Monitoring and Diagnosis of Field Devices"
- PTBA-A-4.2: "Volume measuring devices for liquids in a stationary condition - Storage containers and their measuring devices"

Metrological standards

- OIML R85 (2008) "Requirements for ambient temperature low $-25\text{ }^{\circ}\text{C}$ ($-13\text{ }^{\circ}\text{F}$) and ambient temperature high $+55\text{ }^{\circ}\text{C}$ ($+131\text{ }^{\circ}\text{F}$)
- "Mess- und Eichverordnung" (Calibration regulations for the Federal Republic of Germany)
- Directive 2004/22/EC of the European Parliament and of the Council of 31 March 2004 on measuring instruments

Ordering information

Ordering information

Detailed ordering information is available from the following sources:

- In the Product Configurator on the Endress+Hauser website: www.endress.com -> Click "Corporate" -> Select your country -> Click "Products" -> Select the product using the filters and search field -> Open product page -> The "Configure" button to the right of the product image opens the Product Configurator.
- From your Endress+Hauser Sales Center: www.addresses.endress.com



Product Configurator - the tool for individual product configuration

- Up-to-the-minute configuration data
- Depending on the device: Direct input of measuring point-specific information such as measuring range or operating language
- Automatic verification of exclusion criteria
- Automatic creation of the order code and its breakdown in PDF or Excel output format
- Ability to order directly in the Endress+Hauser Online Shop

Calibration certificate

A calibration certificate is included if one of the following options is selected in ordering feature 150 ("Accuracy, Weight + Measure Approval").

Option of ordering feature 150 "Accuracy, Weight + Measure Approval" ¹⁾	Meaning	Number of calibration points
ICW	Standard version, 3-point calibration certificate	3
ICX	Standard version, 5-point calibration certificate	5
NTA	Maximum performance, NMI type approval acc. to OIML R85, API 3.1B, ISO 4622, factory calib. certificate	10
NTC	Custody transfer, NMI type approval acc. to OIML R85, API 3.1B, ISO 4622, factory calib. certificate	10
PTA	Maximum performance, PTB type approval, factory calib. certificate	10
PTC	Custody transfer, PTB type approval, factory calib. certificate	10

1) Positions 21 to 23 of the order code



- The calibration points are evenly spaced and spread over the calibration range of 30 m (98 ft).
- The calibration points are checked under reference conditions.

Marking



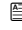

Option of ordering feature 895 "Marking"	Meaning
Z1	Tagging (TAG)
Z2	Bus address

Optionally, the device can be ordered with a specific tagging and/or bus address according to the table above. When the respective option is selected, the tag or bus address must be defined in an additional specification.

Application packages

Advanced tank measurement methods

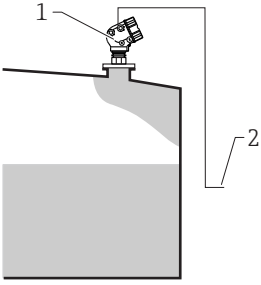
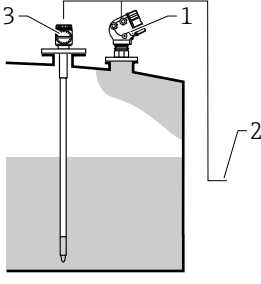
The device software provides the following tank measurement methods:

- Direct level measurement →  36
- Hybrid tank measurement system (HTMS) →  37
- Hydrostatic tank shell correction (HyTD) →  38
- Thermal tank shell correction (CTSh) →  38

Direct level measurement

If no advanced tank measurement methods have been selected, level and temperature are measured directly.


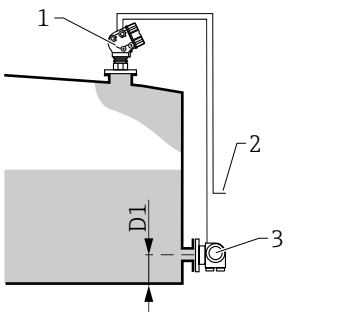

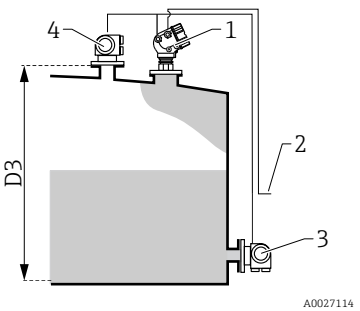
Direct level measurement modes

Measuring mode	Installation example	Measured variables	Calculated variables
Level only	 <p style="text-align: right; margin-right: 50px;">A0027111</p> <p>1 Micropilot 2 To inventory management system</p>	Level	None
Level + temperature	 <p style="text-align: right; margin-right: 50px;">A0027112</p> <p>1 Micropilot 2 To inventory management system 3 Temperature transmitter (point or average)</p>	<ul style="list-style-type: none"> ▪ Level ▪ Temperature (point or average) 	None

Hybrid tank measurement system (HTMS)

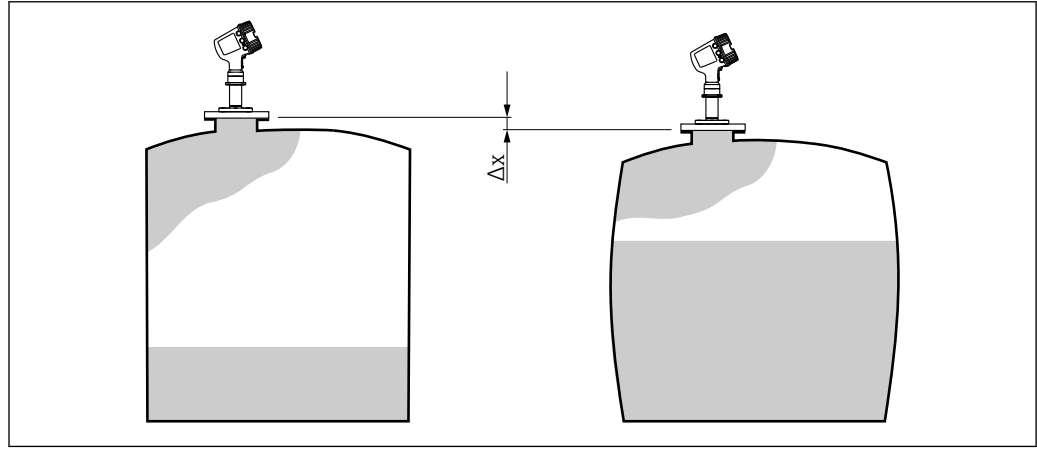
HTMS uses level and pressure measurements to calculate the contents of the tank and (optionally) the density of the medium.

HTMS measuring modes

Measuring mode	Installation example	Measured variables	Calculated variables
<p>HTMS + P1</p> <p> This mode should be used in atmospheric (i.e. non-pressurized) tanks</p>	 <p style="text-align: right; font-size: small;">A0027113</p> <p>1 Micropilot 2 To inventory management system 3 Pressure transmitter (bottom)</p>	<ul style="list-style-type: none"> ■ Level ■ Bottom pressure (at position D1) 	<p>Density of the medium</p>
<p>HTMS + P1 + P3</p> <p> This mode should be used in non- atmospheric (i.e. pressurized) tanks</p>	 <p style="text-align: right; font-size: small;">A0027114</p> <p>1 Micropilot 2 To inventory management system 3 Pressure transmitter (bottom) 4 Pressure transmitter (top)</p>	<ul style="list-style-type: none"> ■ Level ■ Bottom pressure (at position D1) ■ Top pressure (at position D3) 	<p>Density of the medium</p>

Hydrostatic tank shell correction (HyTD)

The hydrostatic tank shell correction can be used to compensate for vertical movement of the Gauge Reference Height due to bulging of the tank shell caused by the hydrostatic pressure exerted by the liquid stored in the tank. The compensation is based on a linear approximation obtained from manual hand dips at several levels distributed over the full range of the tank.



A0023774

17 Movement Δx of the Gauge Reference Height due to the bulging of the tank shell caused by hydrostatic pressure

Thermal tank shell correction (CTSh)

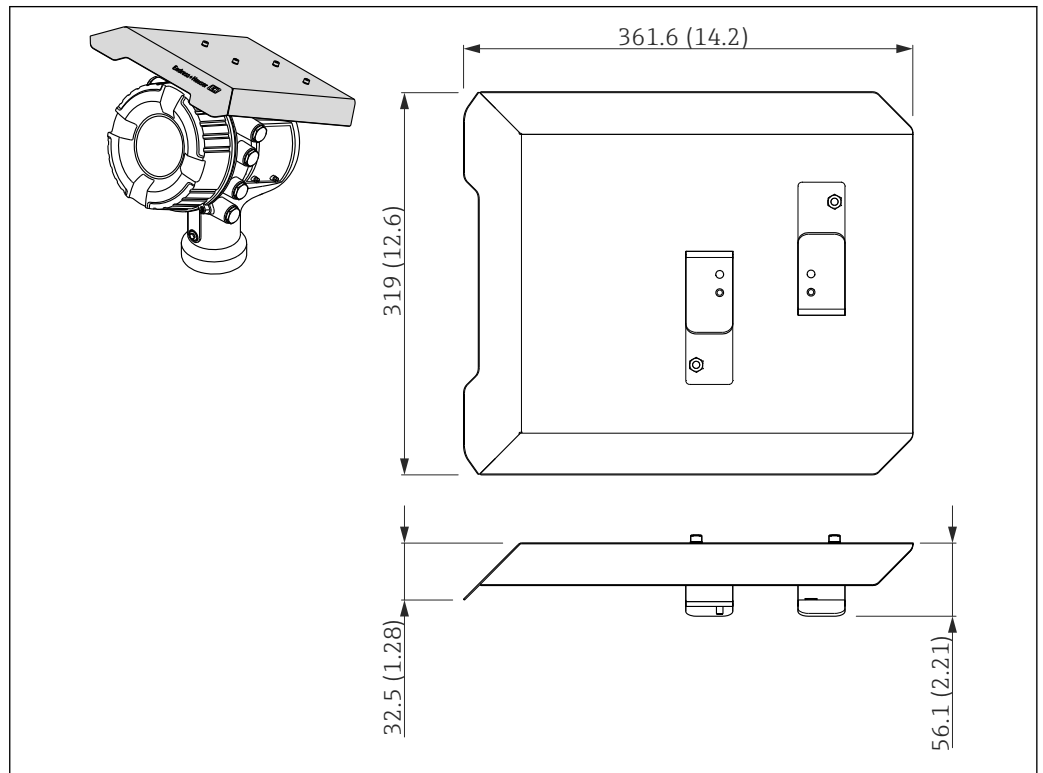
The thermal tank shell correction can be used to compensate for vertical movement of the Gauge Reference Height due to temperature effects on the tank shell or stilling well. The calculation is based on the thermal expansion coefficients of steel and on insulation factors for both the dry and wetted part of the tank shell.

- i** This correction is recommended for any tank gauge operating at conditions deviating considerably from the conditions during calibration and for extremely high tanks. For refrigerated, cryogenic and heated applications this correction is highly recommended.


Accessories

Device-specific accessories

Weather protection cover




A0028019

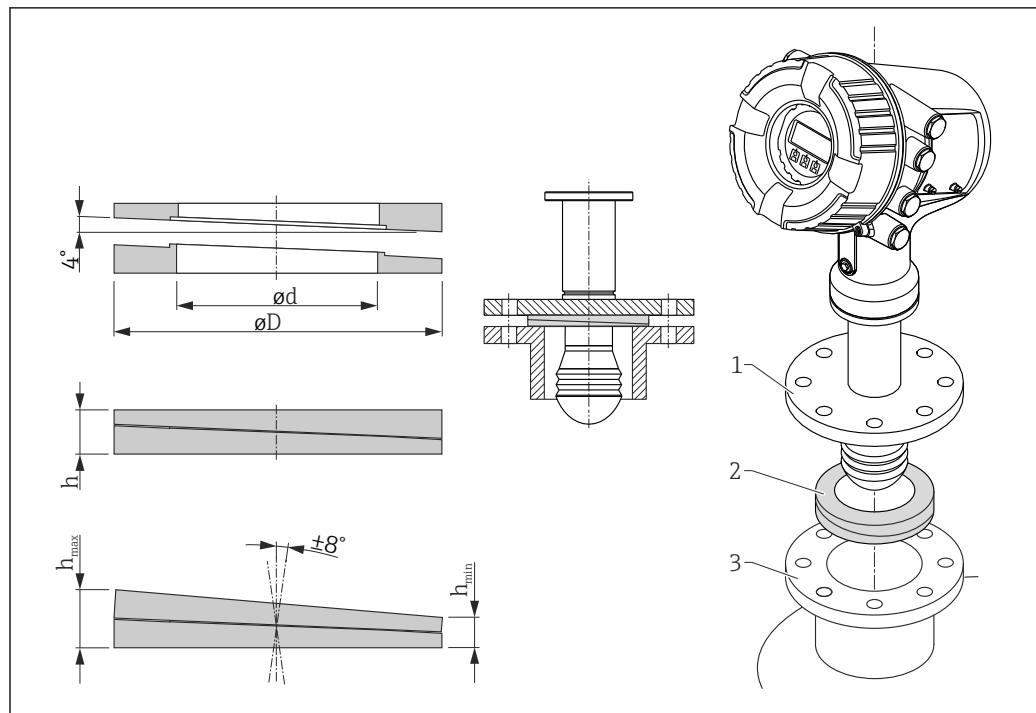
 18 Weather protection cover; dimensions: mm (in)

Materials

Part	Material
Protection cover and mounting brackets	316L (1.4404)
Screws and washers	A4

-  The weather protection cover can be ordered together with the device:
Ordering feature 620 "Accessory Enclosed", option PA "Weather Protection Cover")
- It can also be ordered as an accessory:
Order code: 71292751 (for NMR8x and NRF8x)

Adjustable seal



A0027787


19 Adjustable seal used to align the device by $\pm 8^\circ$

Property	Ordering feature 620 "Accessory Enclosed" ¹⁾		
	PS	PT	PU
Order code ²⁾	71285499	71285501	71285503
Compatible with	<ul style="list-style-type: none"> ▪ DN50 PN10-40 ▪ ASME 2" 150lbs ▪ JIS 50A 10K 	DN80 PM10-40	<ul style="list-style-type: none"> ▪ ASME 3" 150lbs ▪ JIS 80A 10K
Length of screws	100 mm (3.9 in)	100 mm (3.9 in)	100 mm (3.9 in)
Size of screws	M14	M14	M14
Material	FKM	FKM	FKM
Process pressure	-0.1 to +0.1 bar (-1.45 to +1.45 psi)		
Process temperature	-40 to +80 °C (-40 to +176 °F)		
ØD	105 mm (4.13 in)	142 mm (5.59 in)	133 mm (5.24 in)
Ød	60 mm (2.36 in)	89 mm (3.5 in)	89 mm (3.5 in)
h	16.5 mm (0.65 in)	22 mm (0.87 in)	22 mm (0.87 in)
h _{min}	9 mm (0.35 in)	14 mm (0.55 in)	14 mm (0.55 in)
h _{max}	24 mm (0.95 in)	30 mm (1.18 in)	30 mm (1.18 in)


1) With this ordering feature the adjustable seal is supplied together with the device.


2) This order code must be used if the adjustable seal is ordered separately.


Communication-specific accessories

Accessory	Description
WirelessHART Adapter SWA70	Connects field devices to a WirelessHART network. The WirelessHART adapter can be mounted directly at a HART device and is easily integrated into an existing HART network. It ensures safe data transmission and can be operated in parallel with other wireless networks.  For details refer to Operating Instructions BA00061S



Service-specific accessories

Accessory	Description
Commubox FXA195 HART	For intrinsically safe HART communication with FieldCare via the USB interface.  For details refer to Technical Information TI00404F

Accessory	Description
Commubox FXA291	Connects Endress+Hauser field devices with CDI interface (= Endress+Hauser Common Data Interface) to the USB interface of a computer.  For details refer to Technical Information TI00405C

Accessory	Description
FieldCare	Endress+Hauser's FDT-based Plant Asset Management tool. Helps to configure and maintain all field devices of your plant. By supplying status information it also supports the diagnosis of the devices.  For details refer to Operating Instructions BA00027S and BA00059S.

System components

Accessory	Description
RIA15	Compact process display unit with very low voltage drop for universal use to display 4 to 20 mA/HART signals  For details refer to Technical Information TI01043K.
Tankvision <ul style="list-style-type: none"> ▪ Tank Scanner NXA820 ▪ Data Concentrator NXA821 ▪ Host Link NXA822 	Inventory Management System with completely integrated software for operation via standard web browser  For details refer to Technical Information TI00419G.

Documentation

Technical Information (TI) The Technical Information contains all the technical data on the device and provides an overview of the accessories and other products that can be ordered for the device.

Device	Technical Information
Micropilot NMR81	TI01252G

Brief Operating Instructions (KA) The Brief Operating Instructions contain all the essential information from incoming acceptance to initial commissioning.

Device	Brief Operating Instructions
Micropilot NMR81	KA01194G

Operating Instructions (BA) The Operating Instructions contain all the information that is required in various phases of the life cycle of the device: from product identification, incoming acceptance and storage, to mounting, connection, operation and commissioning through to troubleshooting, maintenance and disposal. It also contains a detailed explanation of each individual parameter in the operating menu (except the **Expert** menu). The description is aimed at those who work with the device over the entire life cycle and perform specific configurations.

Device	Operating Instructions
Micropilot NMR81	BA01450G

Description of Device Parameters (GP) The Description of Device Parameters provides a detailed explanation of each individual parameter in the 2nd part of the operating menu: the **Expert** menu. It contains all the device parameters and allows direct access to the parameters by entering a specific code. The description is aimed at those who work with the device over the entire life cycle and perform specific configurations.

Device	Description of Device Parameters
Micropilot NMR81	GP01068G

Safety instructions (XA)

Ordering feature 010 "Approval"	Meaning	XA
BE	ATEX II 1/2G Ex ia/db IIC T4 Ga/Gb ATEX II 2 (1)G Ex db [ia Ga] IIC T4 Gb	XA01410G
FE	FM C/US XP-AIS Cl.I Div.1 Gr.BCD T4 AEx d[ia] IIC T4	XA01436G
GE	EAC Ga/Gb Ex ia/db IIC T4...T1 X EAC 1 Ex db [ia] IIC T4...T1 X	XA01582G
IE	IEC Ex ia/db IIC T4 Ga/Gb IEC Ex db [ia Ga] IIC T4 Gb	XA01410G
KE	KC Ex ia/db IIC T4 Ga/Gb KC Ex db [ia Ga] IIC T4 Gb	XA01579G
ME	INMETRO Ex ia/db IIC T4 Ga/Gb INMETRO Ex db [ia Ga] IIC T4 Gb	XA01580G
NE	NEPSI Ex ia/db IIC T4 Ga/Gb NEPSI Ex db [ia Ga] IIC T4 Gb	XA01581G
TA	TIIS Ex d[ia] IIC T6 Ga/Gb	in preparation

Registered trademarks

FieldCare®

Registered trademark of the Endress+Hauser Process Solutions AG, Reinach, Switzerland

MODBUS®

Registered trademark of the MODBUS-IDA, Hopkinton, MA, USA



71406890

www.addresses.endress.com
