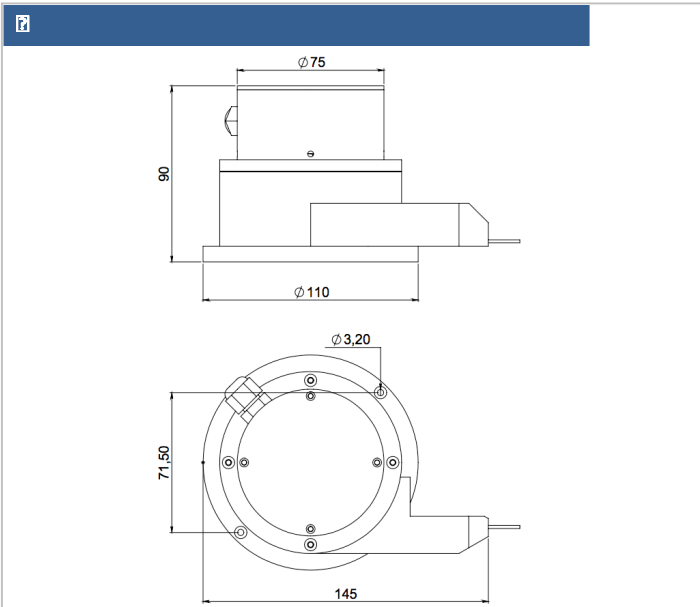




-
-
-
-
-
-
-



	W = 42VDC
	4..20mA, 0..10V24VDC
	CANopen : 30VDC
a # & 5 (1000 1000 1000 1000 % % (^, 1 (* (!)
o ! - X - ! (, (- / =	0,5 %/ -
Á (* , (/ # &	n < 0# (* 6 (& i # @ & (
! < 5 (& < - &	2 (/ & 6 (%4..20 % 0..10V # C..N
, & & (- / =	F i U i n 9 & ^
Á / * & = : / <	IP67
Á ((8 A / % * ,	- 40 (+85
1/2 / & (- / # = & A	%#0 & 90 / =
! -	< 3200

