



- Strong Body Structure Against High Temperature
- Different Signal Output Options
- ZERO and SPAN Setting
- More durable with INCONEL 718 Alloy Membrane
- High Stability
- Accurate measurement
- Insensitive to Electrical Noise
- J Type Thermocouple (Fe-CuNi)
- Long life
- Different Signal Options: 4-20mA, 0-10 VDC, 3.33 mV / V

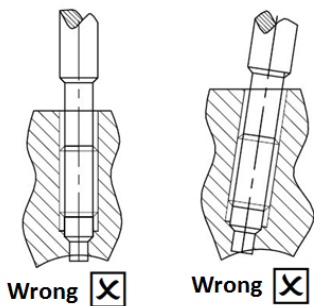
They are used to measure the pressure and temperature of hot fluids in the plastics, rubber, food, etc. sectors. In this way, the quality of the production is higher and damage due to the high pressure is provided to the machine.

The MPT series are low cost and high quality products. The MPT makes mercury measurements in the series. In products in the health and food sector, oily measurements are made.

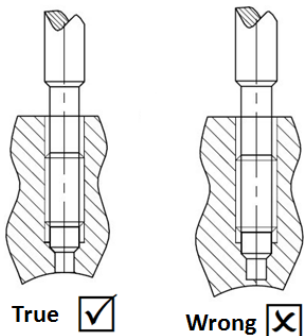
Also available are ALP Series Digital Measuring and Control Devices which are used to display the measured value

### Technical Specification

<b>Pressure Range</b>	0-350 BAR or 0-700 BAR standard (Optional 10 - 2000 BAR)
<b>Output Signals</b>	4-20 mA, 0-10 VDC, 3,33 mV/V or Optional 2 mV/V
<b>Power Supply</b>	24 VDC (10 VDC for “3,33 mV” models)
<b>Maximum Temperature</b>	900°F - 400°C
<b>Maximum Pressure</b>	%FS150
<b>Accuracy</b>	%FS 0,3
<b>Repeatability</b>	%FS 0,2
<b>Calibration</b>	%FS 80
<b>Thermocouple</b>	J Tipi Thermocouple (Fe-CuNi) Optional "E, K" type or PT100
<b>Electrical Connection</b>	6 pin socket (Optional 8 pin)
<b>Process Connection</b>	½ - 20 UNF standard (Optional M14 x 1.5, M18 x 1.5)
<b>Body</b>	Stainless Steel
<b>Protection Class</b>	IP 65
<b>Weight</b>	500 Gr
<b>Other</b>	Zero and Span Settings (except for the 3.33 mV/V model)
<b>Accessories</b>	Sockets



One thing to note during installation is that the extreme part of the sensor, which is the pressure measuring part, is not damaged during installation. If this part is damaged, the sensor will not measure.



### Order Coder

#### Model No

M P T - 1 3 3 - 1 / 2 - J - V

#### Body Model

133 : With Thermocouple  
123 : Without Thermocouple

#### Thermocouple Type

J : “J” Type

#### Included In Delivery

1 Connector / 6 Pin Female Socket

#### Recommended Accessories

Process Control Indicators “ALP Series”



#### Mechanical Connection

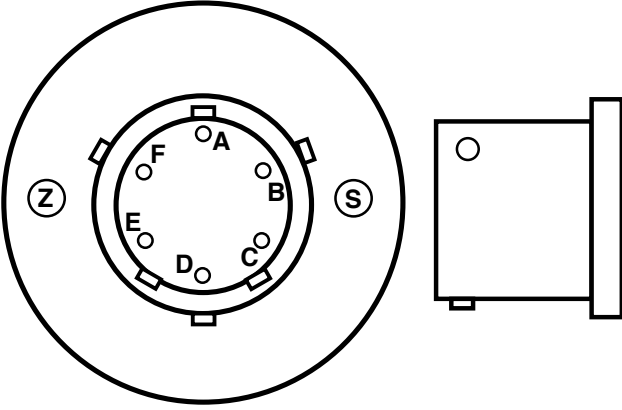
1/2 : ½”20 UNF  
M14 : Metric 14 ( M14 x 1,5 )

#### Output Signal

V : 0-10VDC  
mA : 4-20mA  
mV : 3,33mV/V  
\*\*optional 2,00mV/V



## Connection



### 3,33mV/V or 2,00mV/V Analog Output

A : + Signal Out      B : - Signal Out  
 C : + Supply Voltage +10VDC      D : - Supply Voltage GND  
 E,F : Calibration ( FS %80 )

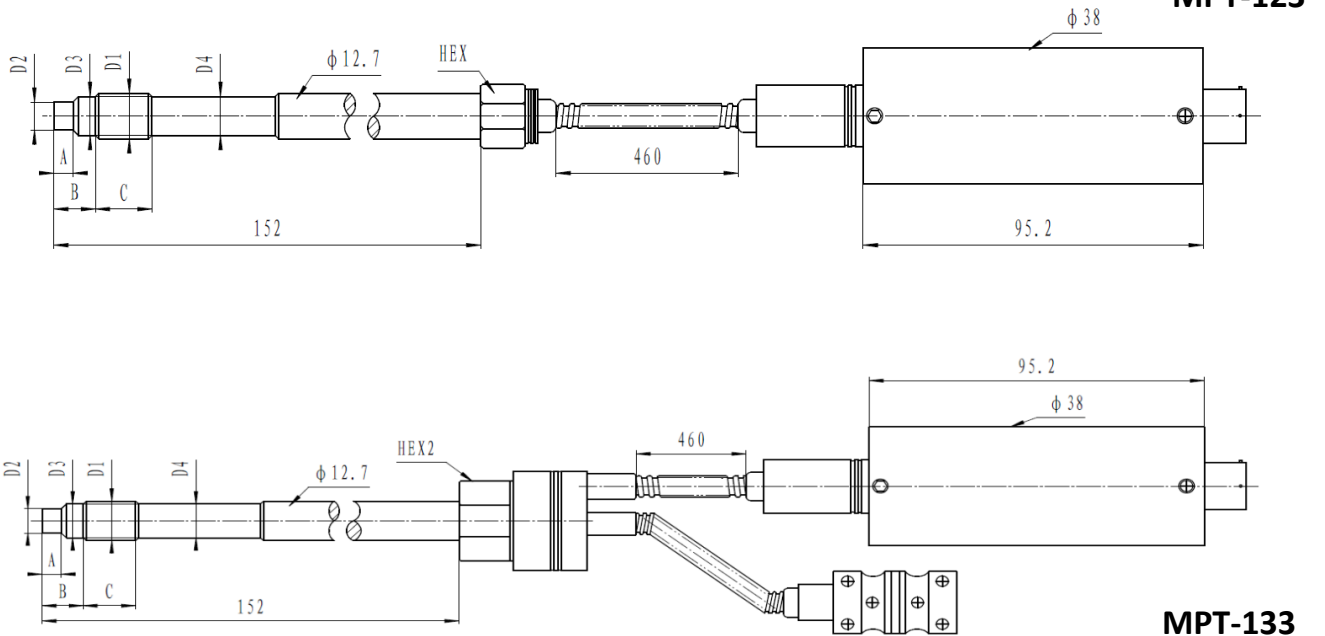
### 0-10VDC Analog Output

A : + Signal Out ( 0 – 10VDC )      B : - Signal Out  
 C : + Supply Voltage +24VDC      D : - Supply Voltage GND  
 E,F : Calibration ( FS %80 )  
 Z : Zero      S : Span

### 4-20mA Analog Output ( 2 Wire Connection )

A : + Supply Voltage 24 VDC      B : - Signal(4-20mA Output)  
 E,F : Calibration ( FS %80 )  
 Z : Zero      S : Span

## Mechanical Dimensions



## Mounting

D1	D2	D3	D4	A	B	C	HEX	HEX2
1/2-20UNF	$\phi 7.8^{+0.02}_{-0.06}$	$\phi 10.5$	$\phi 10.8$	5.44	11.5	16	16	22
M14 x 1.5	$\phi 7.8^{+0.02}_{-0.06}$	$\phi 11.5$	$\phi 11.8$	5.44	11.5	16	16	22

## Atek Sensor Technology A.S.



Tuzla Kimya Sanayicileri Org. San. Bolg. Melek Aras Bulvari, No:67 34956 Tuzla-Istanbul / TURKEY  
 Tel: +90 216 399 44 04      Fax: +90 216 399 44 02  
[www.ateksensor.com](http://www.ateksensor.com)      [info@ateksensor.com](mailto:info@ateksensor.com)