



## 130142\_DIN

Two-way ball valve "Integral Seal"  
 Drive: Inox lever  
 Connection: butt-welding in according to DIN 11850  
 Flow: full  
 Material: Aisi 316  
 Measure: from DN 10 to DN 100  
 Seals: virgin P.T.F.E.  
 Operating temperature: -20°C +160°C  
 Outer finish: polished

### On request

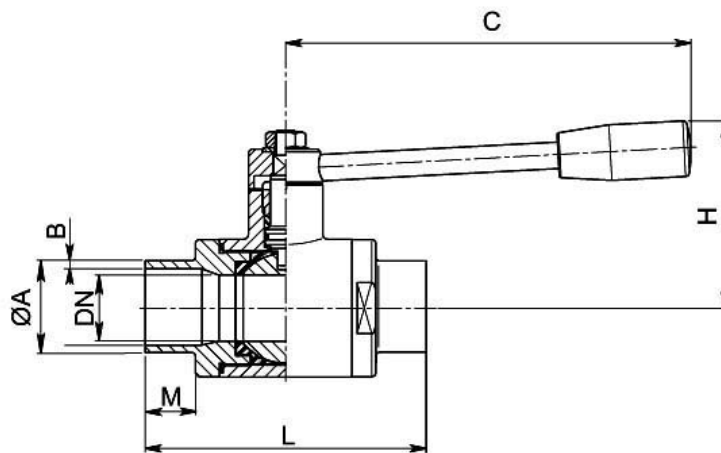
Antistatic device ATEX (Directive 94/9/EC)

• Seals made of:

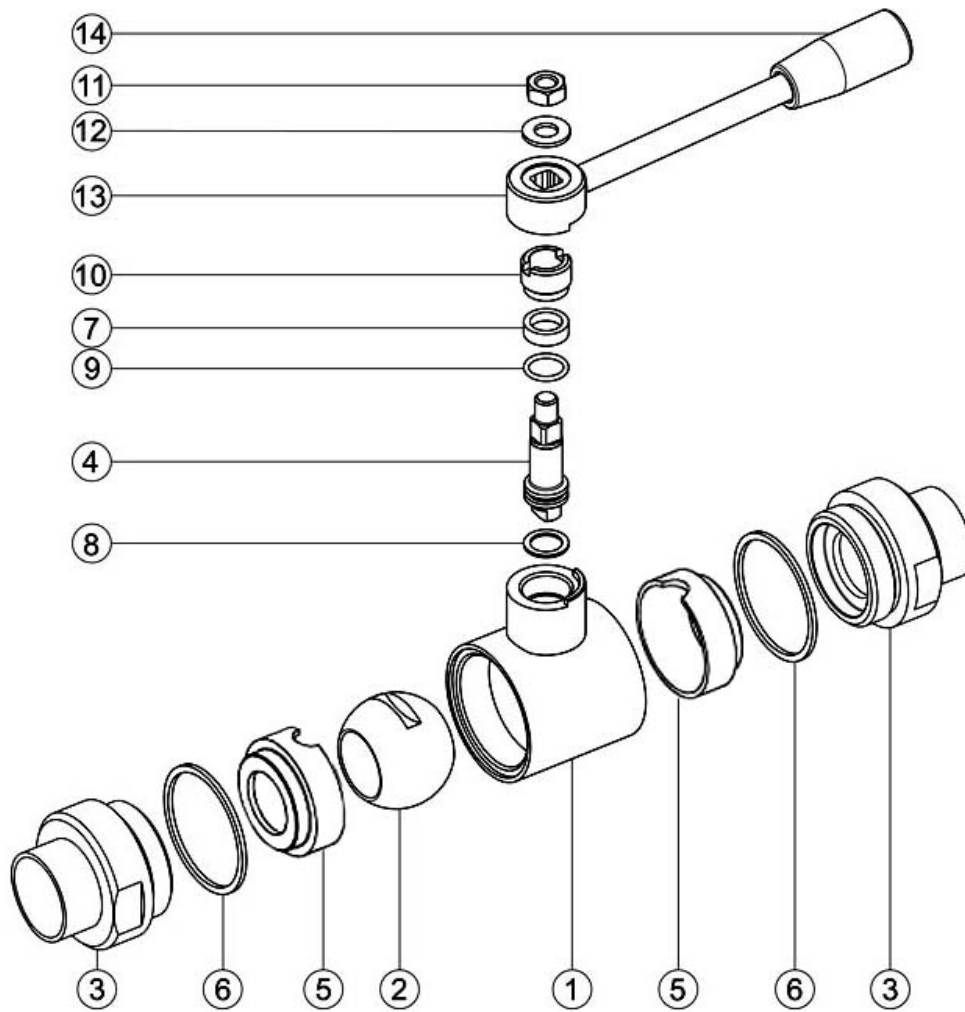
P.T.F.E. with glass

P.T.F.E. with carbographite

High-molecular weight polyethylene



DN	L	C	H	M	ØA x B	PN	Kg	CODE AISI 316L
10	95	110	55	20	13 x 1,5	64	--	130142 6B110
15	95	110	60	20	19 x 1,5	64	--	130142 6B810
20	106	160	65	22	23 x 1,5	40	--	130142 6C510
25	118	160	70	22	29 x 1,5	40	--	130142 6F510
32	126	160	75	23	35 x 1,5	25	--	130142 6J510
40	145	190	85	25	41 x 1,5	25	--	130142 6K910
50	165	190	95	25	53 x 1,5	25	--	130142 6N910
65	191	220	115	27	70 x 2	25	--	130142 6S610
80	208	285	135	27	85 x 2	16	--	130142 6W410
100	230	310	150	37,5	104 x 2	16	--	130142 6X810



POS.	DENOMINATION	PCS	MAT.
1	Body	1	AISI 316L
2	Ball	1	AISI 316L
3	Sleeves	2	AISI 316L
4	Stem	1	AISI 316L
5	Ball seals	2	PTFE
6	Sleeve seals	2	PTFE
7	Stem seal	1	PTFE
8	Stem seal	1	PTFE
9	Stem OR-seal	1	FKM
10	Register ring	1	AISI 304L (303)
11	Nut	1	AISI 304L
12	Washer	1	AISI 304L
13	Lever	1	AISI 304L
14	Handle	1	Resina

