

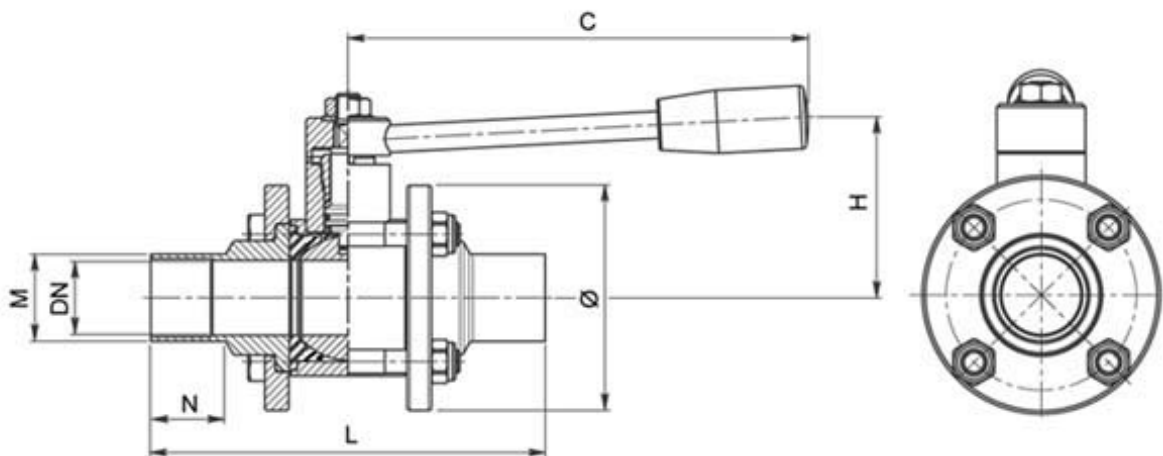
## 550142



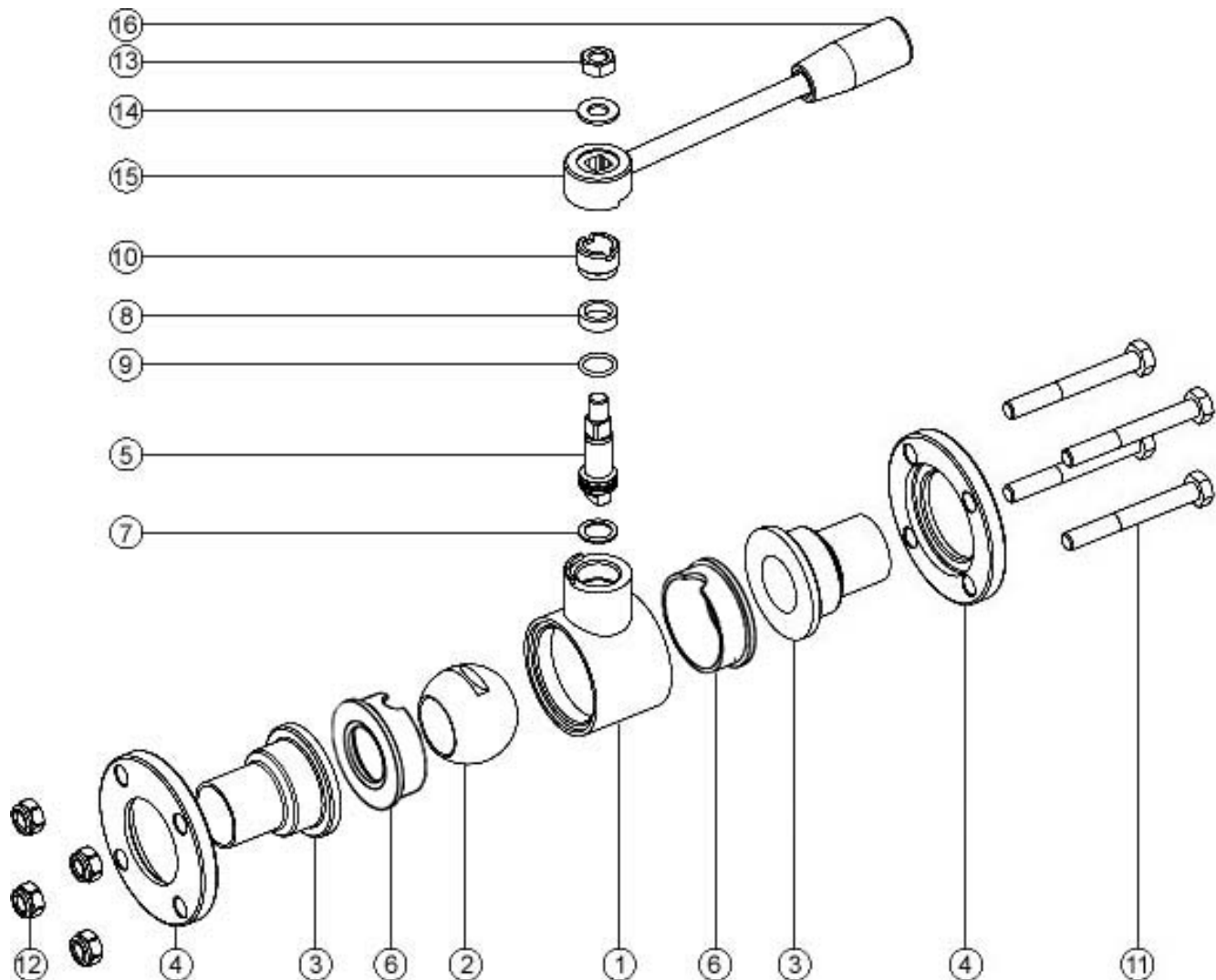
Two-way ball valve, 3 Pieces "Integral Seal", revolving round sleeves  
 Drive: Inox lever  
 Connection: butt-welding in according to BS-OD (ASTM A-270)  
 Flow: full  
 Material: Aisi 316L  
 Measure: from DN 15 to DN 100  
 Seals: virgin P.T.F.E.  
 Operating temperature: -20°C +160°C  
 Outer finish: Polished

### On request

Antistatic device ATEX (Directive 94/9/EC)  
 • Butt-welding connection in according to ISO 1127, DIN 11850  
 • Seals made of:  
 P.T.F.E. with glass  
 P.T.F.E. with carbographite



DN	L	C	H	N	M ISO	Ø	STAY BOLTS	Tighteningbolts ( Nm )	PN	Kg	CODE AISI 304L	CODE AISI 316L
15	95	110	55	18	12,7 x 1,5	55	6 x 45	4	64	--		550142 6A610
15	95	110	55	20	19,05 x 1,65	55	6 x 45	4	64	--		550142 6B910
20	106	110	60	22	25,4 x 1,65	60	6 x 50	4	40	--		550142 6D710
25	118	160	70	22	25,4 x 1,65	75	8 x 65	8	40	--	550142 4D810	550142 6D810
32	126	160	80	23	38,1 x 1,65	85	8 x 70	10	25	--	550142 4H410	550142 6J910
40	145	190	95	25	38,1 x 1,65	100	10 x 90	12	25	--	550142 4K110	550142 6K110
50	165	190	100	25	50,8 x 1,65	120	10 x 100	13	25	--	550142 4M810	550142 6M810
65	191	235	110	27	63,5 x 1,65	140	10 x 120	20	25	--	550142 4R710	550142 6R710
80	208	285	130	27	76,1 x 2	165	10 x 140	20	16	--	550142 4V510	550142 6U710
100	230	310	150	37,5	101,6 x 2,11	200	12 x 170	22	16	--	550142 4X410	550142 6X410



POS.	DENOMINATION	PCS	MAT.
1	Body	1	AISI 304L-316L
2	Ball	1	AISI 304L-316L
3	Sleeves	2	AISI 304L-316L
4	Flanges for sleeves	2	AISI 304L-316L
5	Stem	2	AISI 316L
6	Ball seals	2	PTFE
7	Stem seal	1	PTFE
8	Stem seal	1	PTFE
9	Stem OR-seal	1	FKM
10	Register ring	1	AISI 304L (303)
11	Stay bolt	4	AISI 304L
12	Self-clamping nut	4	AISI 304L
13	Nut	1	AISI 304L
14	Washer	1	AISI 304L
15	Lever	1	AISI 304L
16	Handle	1	Resina

