

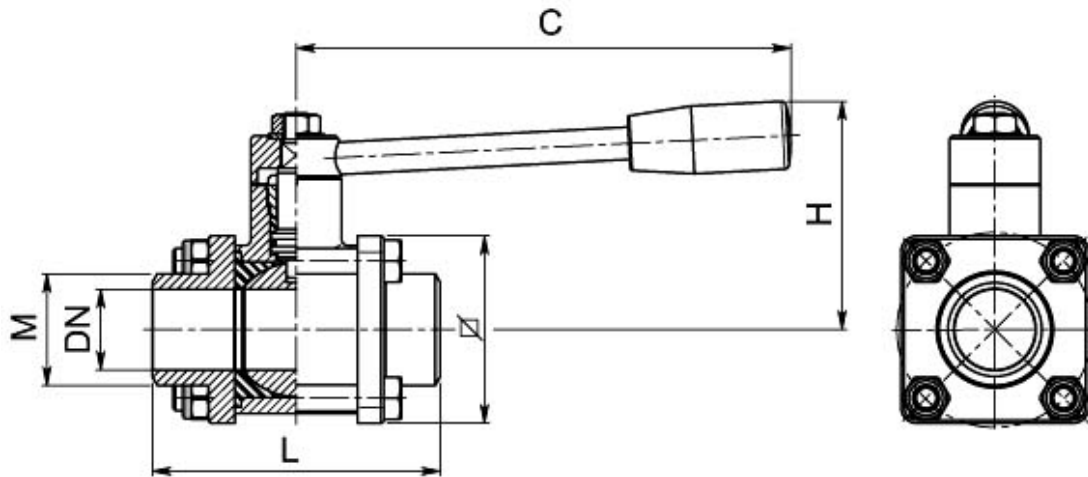
530142

Two-way ball valve, 3 Pieces "Integral Seal"
 Drive: Inox lever
 Connection: butt-welding
 Flow: full
 Material: Aisi 316L
 Measure: from DN 8 to DN 100
 Seals: virgin P.T.F.E.
 Operating temperature: -20°C +160°C
 Outer finish: Sandblasted

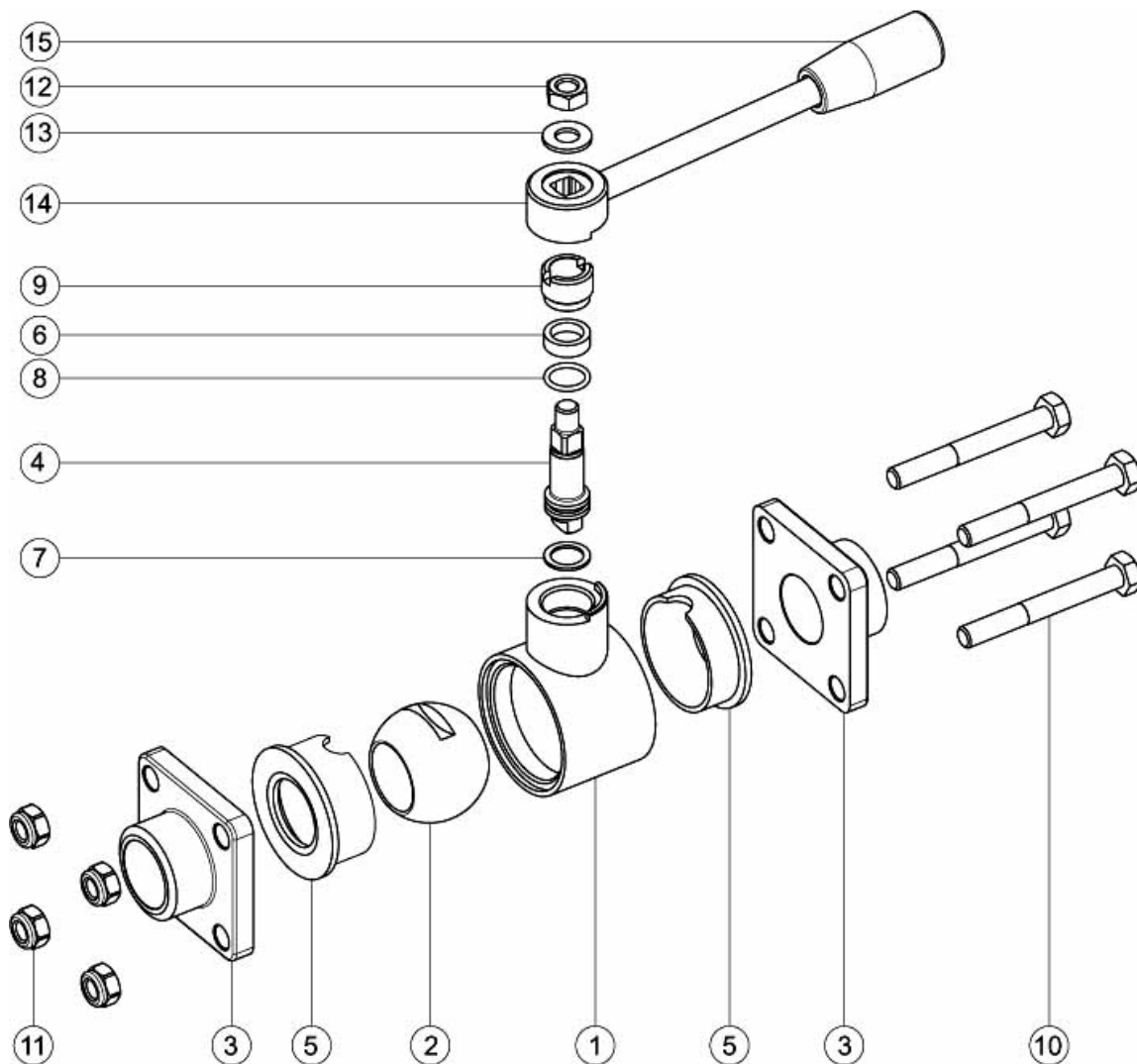
On request

Antistatic device ATEX (Directive 94/9/EC)

- ISO 228 thread
- ISO 7 thread
- NPT thread
- Seals made of:
 P.T.F.E. with glass
 P.T.F.E. with carbographe



DN	L	C	H	M	∅	STAY BOLTS	Tighteningbolts (Nm)	PN	KG	CODE AISI 316L
8	70	110	55	14	40	6 x 45	4	64	0,40	530142 60410
10	70	110	55	18	40	6 x 45	4	64	0,40	530142 60810
15	70	110	55	22,5	40	6 x 45	4	64	0,42	530142 61410
20	80	110	60	28	45	6 x 50	4	40	0,56	530142 62010
25	90	160	70	34,5	60	8 x 65	8	40	1,10	530142 62610
32	100	160	80	43,5	70	8 x 70	10	25	1,46	530142 63010
40	114	190	95	49,5	80	10 x 90	12	25	2,35	530142 63410
50	136	190	100	61,5	90	10 x 100	13	25	3,58	530142 63810
65	151	235	110	76	∅ 140	10 x 120	20	25	-	530142 64410
80	168	285	130	91	∅ 165	10 x 140	20	16	-	530142 64810
100	200	310	150	116	∅ 200	12 X 170	22	16	-	530142 65410



POS.	DENOMINATION	PCS	MAT.
1	Body	1	AISI 316L
2	Ball	1	AISI 316L
3	Sleeves	2	AISI 316L
4	Stem	1	AISI 316L
5	Ball seals	2	PTFE
6	Stem seal	1	PTFE
7	Stem seal	1	PTFE
8	Stem OR-seal	1	FKM
9	Register ring	1	AISI 304L (303)
10	Stay bolt	4	AISI 304L
11	Self-clamping nut	4	AISI 304L
12	Nut	1	AISI 304L
13	Washer	1	AISI 304L
14	Lever	1	AISI 304L
15	Handle	1	Resina