

520142_DIN

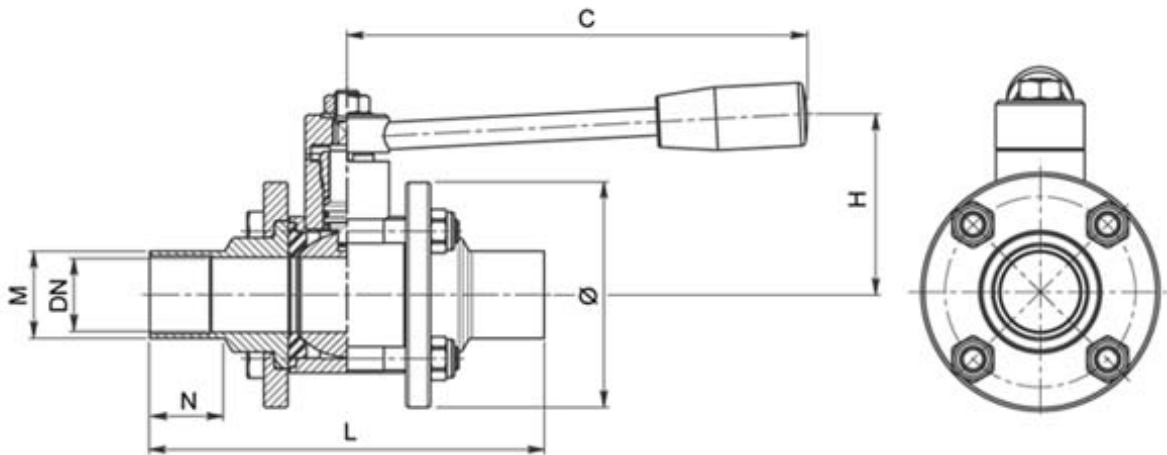


Two-way ball valve, 3 Pieces, revolving round sleeves
 Drive: Inox lever
 Connection: butt-welding in according to DIN 11850
 Flow: full
 Material: Aisi 316L
 Measure: from DN 10 to DN 100 DIN 11850 Series 2
 Seals: virgin P.T.F.E.
 Operating temperature: -20°C +160°C
 Outer finish: Polished

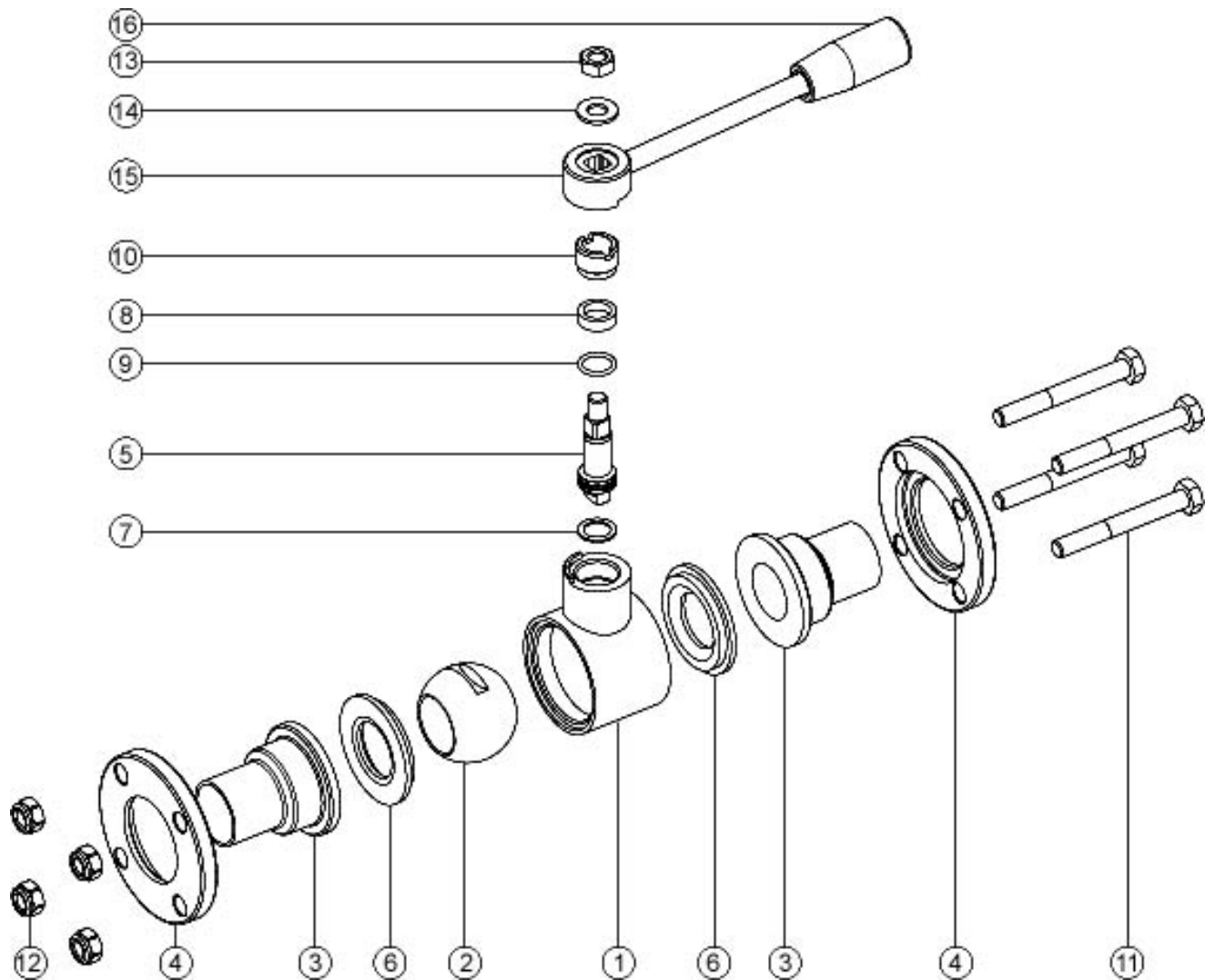
On request

Antistatic device ATEX (Directive 94/9/EC)

- Seals made of:
 P.T.F.E. with glass
 P.T.F.E. with carbographite



DN	L	C	H	N	M	Ø	STAY BOLTS	Tightening bolts (Nm)	PN	Kg	CODE AISI 316L
10	95	110	55	20	13 x 1,5	55	6 x 45	4	64	--	520142 6B110
15	95	110	55	20	19 x 1,5	55	6 x 45	4	64	--	520142 6B810
20	106	110	60	22	23 x 1,5	60	6 x 50	4	40	--	520142 6C510
25	118	160	70	22	29 x 1,5	75	8 x 65	8	40	--	520142 6F510
32	126	160	80	23	35 x 1,5	85	8 x 70	10	25	--	520142 6J510
40	145	190	95	25	41 x 1,5	100	10 x 90	12	25	--	520142 6K910
50	165	190	100	25	53 x 1,5	120	10 x 100	13	25	--	520142 6N910
65	191	235	110	27	70 x 2	140	10 x 120	20	25	--	520142 6S610
80	208	285	130	27	85 x 2	165	10 x 140	20	16	--	520142 6W410
100	230	310	150	37,5	104 x 2	200	12 x 170	22	16	--	520142 6X810



POS.	DENOMINATION	PCS	MAT.
1	Body	1	AISI 304L-316L
2	Ball	1	AISI 304L-316L
3	Sleeves	2	AISI 304L-316L
4	Flanges for sleeves	2	AISI 304L-316L
5	Stem	2	AISI 316L
6	Ball seals	2	PTFE
7	Stem seal	1	PTFE
8	Stem seal	1	PTFE
9	Stem OR-seal	1	FKM
10	Register ring	1	AISI 304L (303)
11	Stay bolt	4	AISI 304L
12	Self-clamping nut	4	AISI 304L
13	Nut	1	AISI 304L
14	Washer	1	AISI 304L
15	Lever	1	AISI 304L
16	Handle	1	Resina

