



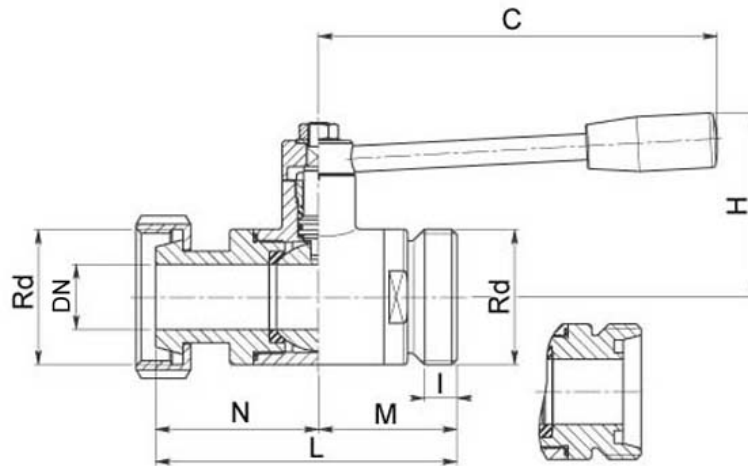
## 100126

Two-way ball valve  
 Drive: Inox lever  
 Connection: DIN 11851 female/male  
 Flow: full  
 Material: Aisi 304 - 316  
 Measure: from DN 10 to DN 100  
 Seals: virgin P.T.F.E.  
 Operating temperature: -20°C +160°C  
 Outer finish: polished

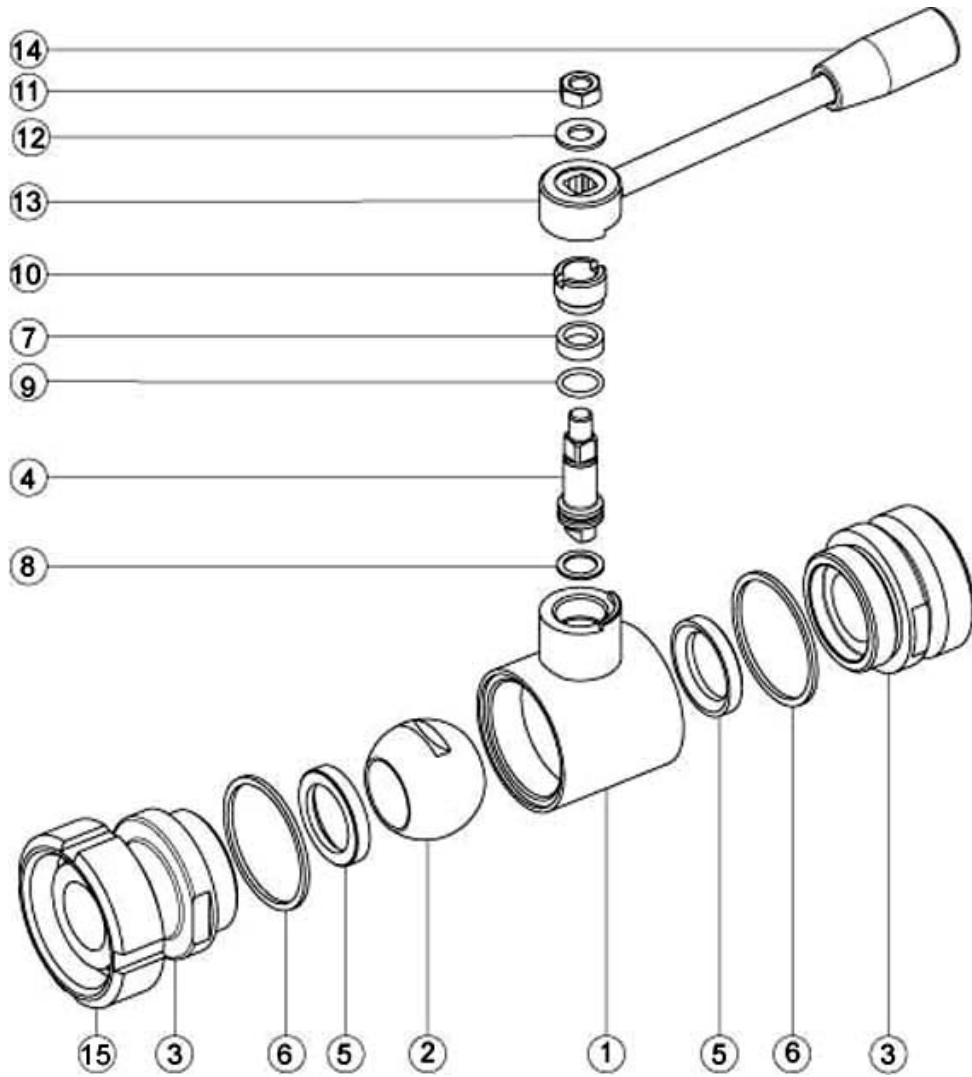
### On request

Antistatic device ATEX (Directive 94/9/EC)

- SMS connection
- DIN male/male connection
- Seals made of:
  - P.T.F.E. with glass
  - P.T.F.E. with carbographe
  - High-molecular weight polyethylene



| DN  | Rd         | L   | M  | N   | I  | C   | H   | PN | KG    | CODE AISI 304L | CODE AISI 316L |
|-----|------------|-----|----|-----|----|-----|-----|----|-------|----------------|----------------|
| 10  | 28 x 1/8"  | 94  | 44 | 50  | 12 | 110 | 50  | 64 | 0,50  |                | 100126 60810   |
| 15  | 34 x 1/8"  | 98  | 46 | 52  | 12 | 110 | 55  | 64 | 0,65  |                | 100126 61410   |
| 20  | 44 x 1/6"  | 110 | 51 | 59  | 14 | 110 | 60  | 64 | 0,91  |                | 100126 62010   |
| 25  | 52 x 1/6"  | 115 | 53 | 62  | 14 | 160 | 65  | 40 | 1,41  | 100126 42610   | 100126 62610   |
| 32  | 58 x 1/6"  | 121 | 56 | 65  | 14 | 160 | 70  | 40 | 1,75  | 100126 43010   | 100126 63010   |
| 40  | 65 x 1/6"  | 135 | 63 | 72  | 14 | 190 | 80  | 40 | 2,78  | 100126 43410   | 100126 63410   |
| 50  | 78 x 1/6"  | 146 | 68 | 78  | 14 | 190 | 90  | 25 | 4,03  | 100126 43810   | 100126 63810   |
| 65  | 95 x 1/6"  | 163 | 77 | 86  | 16 | 220 | 110 | 25 | 6,80  | 100126 44410   | 100126 64410   |
| 80  | 110 x 1/4" | 189 | 92 | 97  | 20 | 285 | 130 | 25 | 10,00 | 100126 44810   | 100126 64810   |
| 100 | 130 x 1/4" | 198 | 95 | 103 | 20 | 310 | 150 | 25 | 14,17 | 100126 45410   | 100126 65410   |



| POS. | DENOMINATION  | PCS | MAT.             |
|------|---------------|-----|------------------|
| 1    | Body          | 1   | AISI 304L - 316L |
| 2    | Ball          | 1   | AISI 304L - 316L |
| 3    | Sleeves       | 2   | AISI 304L - 316L |
| 4    | Stem          | 1   | AISI 304L - 316L |
| 5    | Ball seals    | 2   | PTFE             |
| 6    | Sleeve seals  | 2   | PTFE             |
| 7    | Stem seal     | 1   | PTFE             |
| 8    | Stem seal     | 1   | PTFE             |
| 9    | Stem OR-seal  | 1   | FKM              |
| 10   | Register ring | 1   | AISI 304L (303)  |
| 11   | Nut           | 1   | AISI 304L        |
| 12   | Washer        | 1   | AISI 304L        |
| 13   | Lever         | 1   | AISI 304L        |
| 14   | Handle        | 1   | Resina           |
| 15   | Stop ring     | 1   | AISI 304L        |

