



## 100109

Two-way ball valve  
 Drive: Inox lever  
 Connection: ISO 228 female/male thread  
 Flow: full  
 Material: Aisi 304 - 316  
 Measure: from 1/4" to 4"  
 Seals: virgin P.T.F.E.  
 Operating temperature: -20°C +160°C  
 Outer finish: polished

### On request

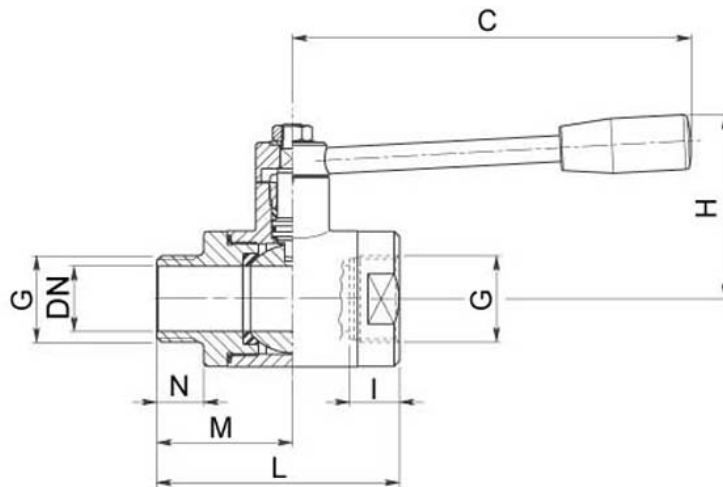
Antistatic device ATEX (Directive 94/9/EC)

- ISO 7 thread **Art.100102**
- NPT thread **Art.100104**
- Seals made of:

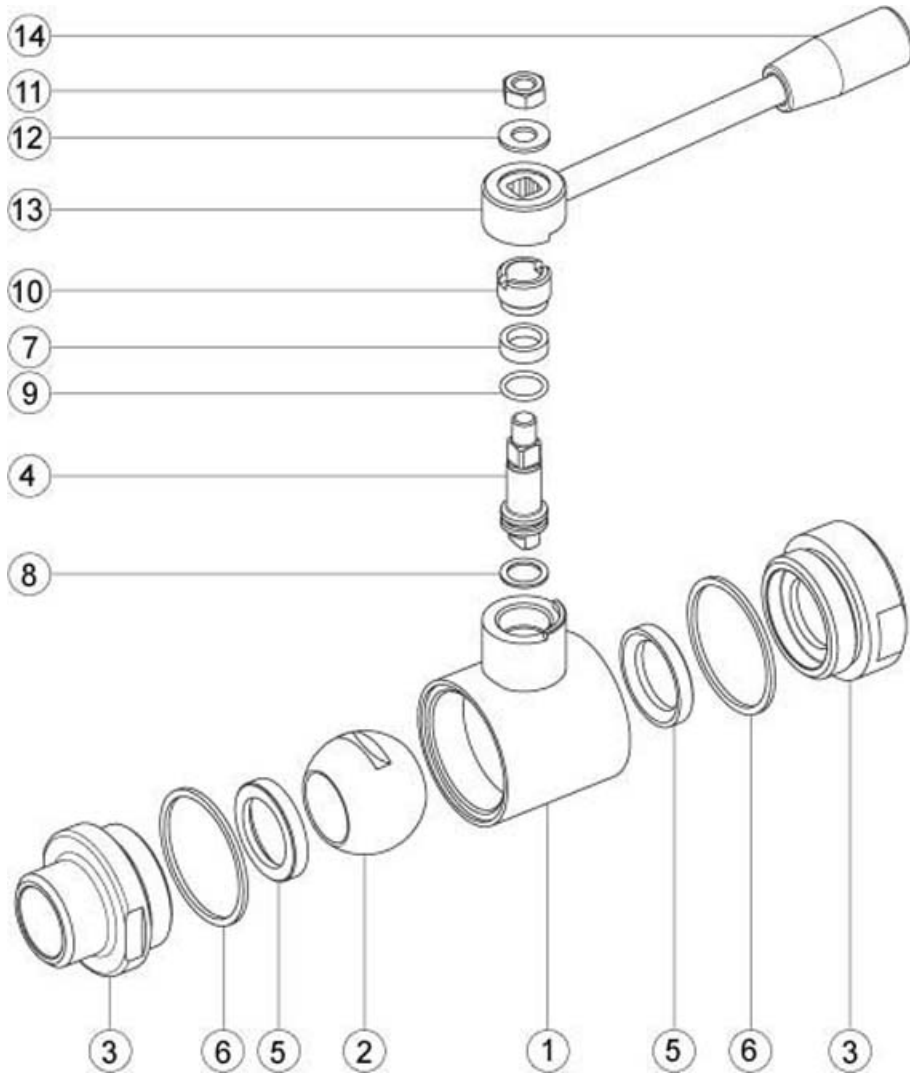
P.T.F.E. with glass

P.T.F.E. with carbographe

High-molecular weight polyethylene



G	DN	L	I	N	M	C	H	PN	KG	CODE AISI 304L	CODE AISI 316L
1/4"	9	64	13	11	38	110	50	64	0,36	100109 40410	100109 60410
3/8"	10	66	13	13	40	110	50	64	0,35	100109 40810	100109 60810
1/2"	15	76	15	15	45	110	55	64	0,45	100109 41410	100109 61410
3/4"	20	85	17	16	49	110	60	64	0,66	100109 42010	100109 62010
1"	25	93	19	18	52	160	65	40	1,13	100109 42610	100109 62610
1*1/4	32	103	19	18	57	160	70	40	1,38	100109 43010	100109 63010
1*1/2	40	116	20	20	64	190	80	40	2,38	100109 43410	100109 63410
2"	50	131	20	24	73	190	90	25	3,47	100109 43810	100109 63810
2*1/2	65	145	20	25	83	220	110	25	5,85	100109 44410	100109 64410
3"	80	170	24	30	95	285	130	25	8,92	100109 44810	100109 64810
4"	100	192	26	36	104	310	150	25	14,80	100109 45410	100109 65410



POS.	DENOMINATION	PCS	MAT.
1	Body	1	AISI 304L - 316L
2	Ball	1	AISI 304L - 316L
3	Sleeves	2	AISI 304L - 316L
4	Stem	1	AISI 304L - 316L
5	Ball seals	2	PTFE
6	Sleeve seals	2	PTFE
7	Stem seal	1	PTFE
8	Stem seal	1	PTFE
9	Stem OR-seal	1	FKM
10	Register ring	1	AISI 304L (303)
11	Nut	1	AISI 304L
12	Washer	1	AISI 304L
13	Lever	1	AISI 304L
14	Handle	1	Resina

