

100145

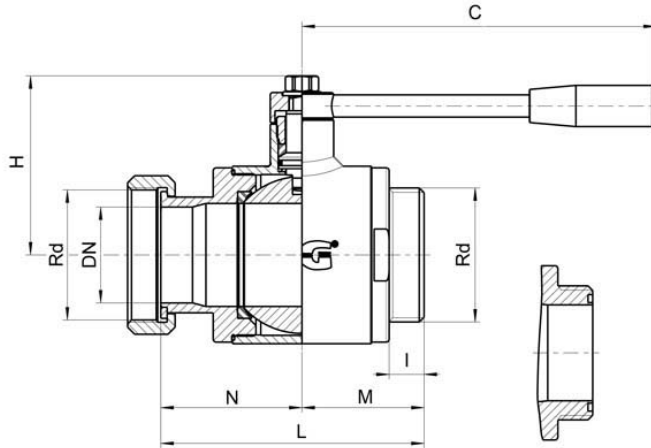


Two-way ball valve
 Drive: Inox lever
 Connection: SMS female/male
 Flow: full
 Material: Aisi 304L - 316L
 Measure: from DN 20 to DN 100
 Seals: virgin P.T.F.E.
 Operating temperature: -20°C +160°C
 Outer finish: polished

On request

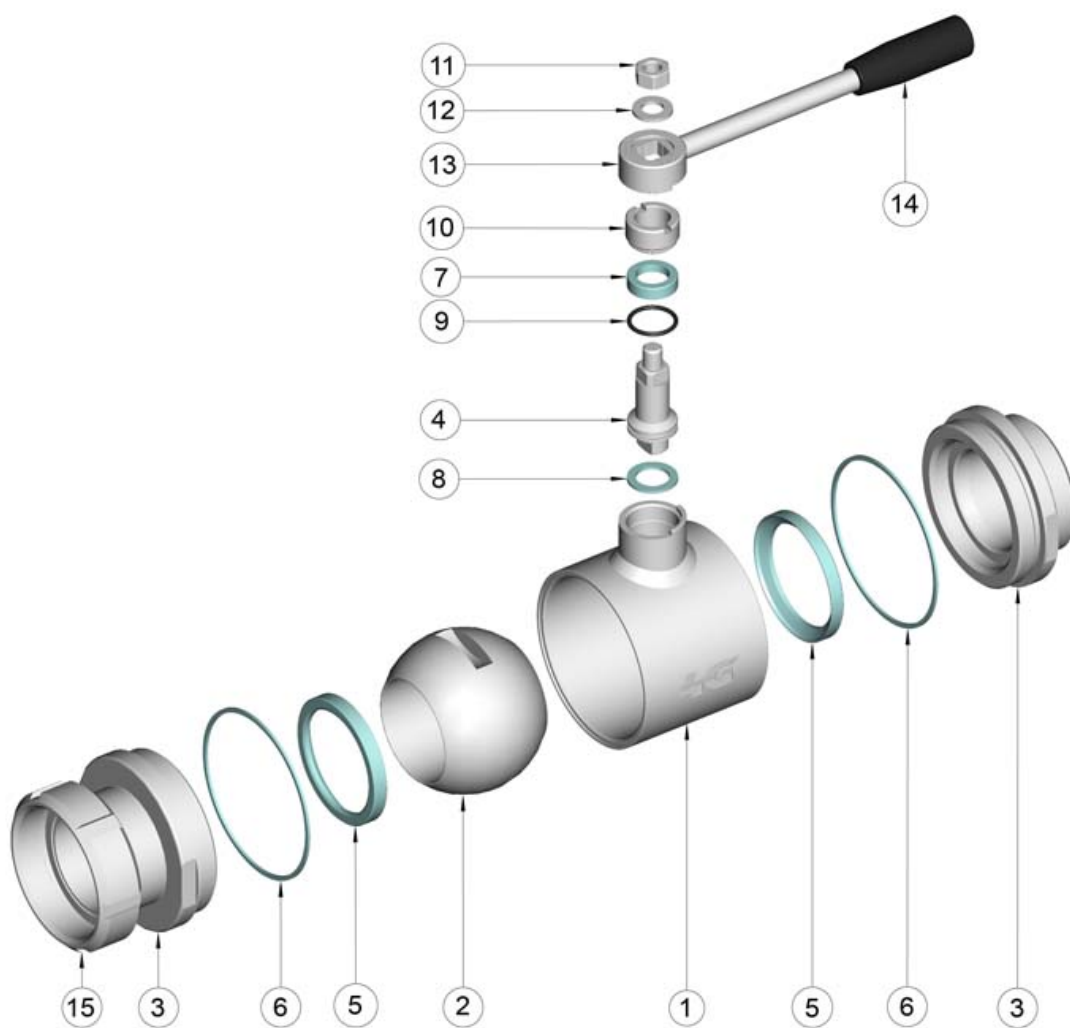
Antistatic device ATEX (Directive 94/9/EC)

- DIN connection
- DIN male/male connection
- Seals made of:
 - P.T.F.E. with glass
 - P.T.F.E. with carbographite
 - High-molecular weight polyethylene



| DN | SMS | Rd | L | M | N | I | C | H | PN | Kg | CODE AISI 304L | CODE AISI 316L |
|-----|-----|------------|-----|----|-----|----|-----|-----|----|----|----------------|----------------|
| 20* | 25 | 40 x 1/6" | 110 | 51 | 59 | 19 | 110 | 60 | 64 | - | - | 100145 62410 |
| 25 | 25 | 40 x 1/6" | 115 | 53 | 62 | 19 | 160 | 65 | 40 | - | 100145 42610 | 100145 62610 |
| 40 | 38 | 60 x 1/6" | 135 | 63 | 72 | 19 | 190 | 80 | 40 | - | 100145 43410 | 100145 63410 |
| 50 | 51 | 70 x 1/6" | 146 | 68 | 78 | 20 | 190 | 90 | 25 | - | 100145 43810 | 100145 63810 |
| 65 | 63 | 85 x 1/6" | 163 | 77 | 86 | 22 | 220 | 110 | 25 | - | 100145 44410 | 100145 64410 |
| 65* | 76 | 98 x 1/6" | 163 | 77 | 86 | 22 | 235 | 110 | 25 | - | 100145 44510 | 100145 64510 |
| 80 | 76 | 98 x 1/6" | 189 | 92 | 97 | 27 | 285 | 130 | 25 | - | 100145 44810 | 100145 64810 |
| 100 | 104 | 125 x 1/4" | 198 | 95 | 103 | 33 | 310 | 150 | 25 | - | 100145 45410 | 100145 65410 |
| 100 | 101 | 132 x 1/6" | 198 | 95 | 103 | 33 | 310 | 150 | 25 | - | 100145 45510 | 100145 65510 |

* REDUCED FLOW



| POS. | DENOMINATION | PCS | MAT. |
|------|---------------|-----|------------------|
| 1 | Body | 1 | AISI 304L - 316L |
| 2 | Ball | 1 | AISI 304L - 316L |
| 3 | Sleeves | 2 | AISI 304L - 316L |
| 4 | Stem | 1 | AISI 304L - 316L |
| 5 | Ball seals | 2 | PTFE |
| 6 | Sleeve seals | 2 | PTFE |
| 7 | Stem seal | 1 | PTFE |
| 8 | Stem seal | 1 | PTFE |
| 9 | Stem OR-seal | 1 | FKM |
| 10 | Register ring | 1 | AISI 304L (303) |
| 11 | Nut | 1 | AISI 304L |
| 12 | Washer | 1 | AISI 304L |
| 13 | Lever | 1 | AISI 304L |
| 14 | Handle | 1 | Resina |
| 15 | Stop ring | 1 | AISI 304L |

