



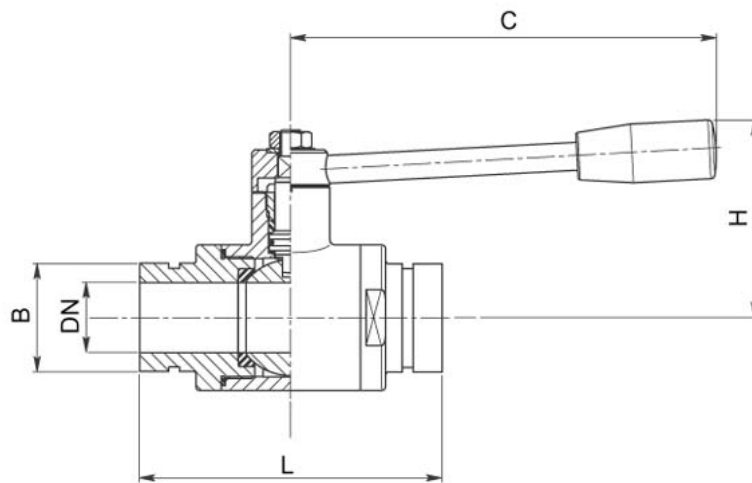
210160

Two-way ball valve
 Drive: Inox lever
 Connection: VICTAULIC
 Flow: full
 Material: Aisi 304L - 316L
 Measure: from da DN 20 to DN 100
 Seals: virgin P.T.F.E.
 Operating temperature: -20°C +160°C
 Outer finish: Sandblasted

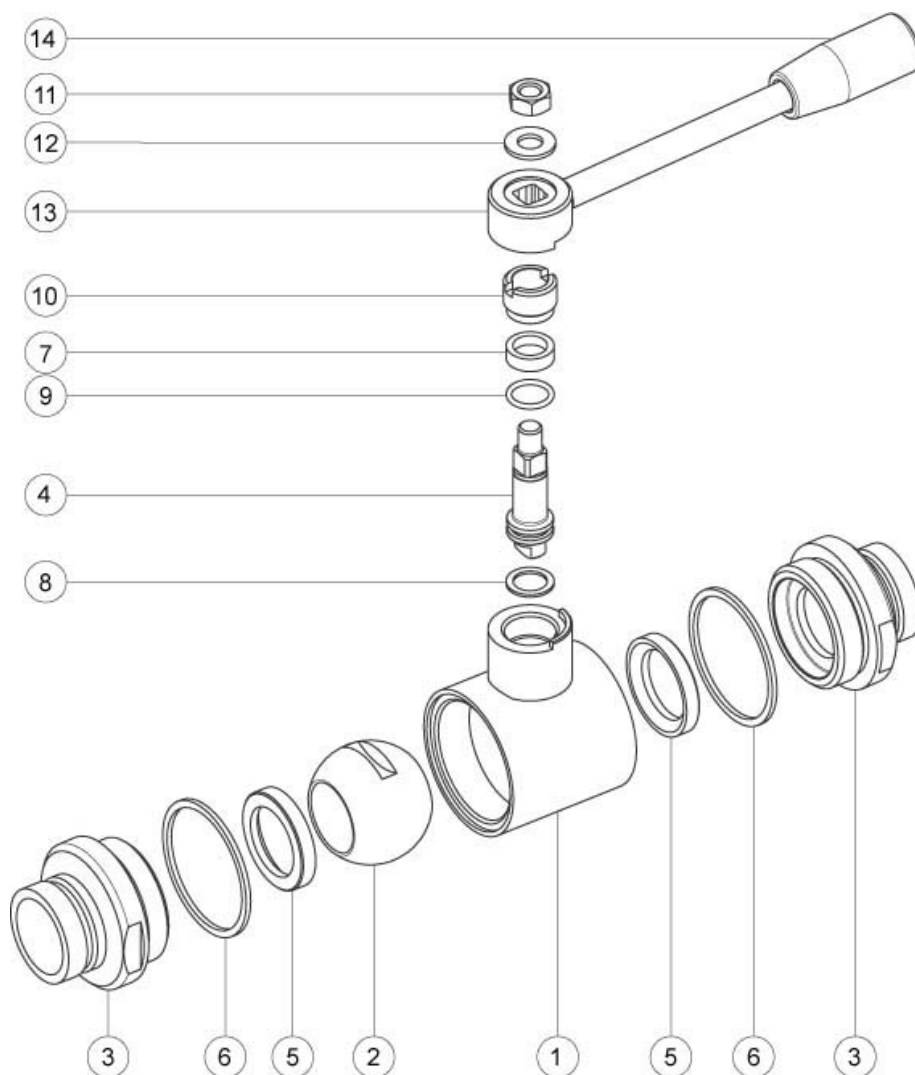
On request

Antistatic device ATEX (Directive 94/9/EC)

- Seals made of:
 P.T.F.E. with glass
 P.T.F.E. with carbographe
 High-molecular weight polyethylene



G	DN	L	B	C	H	PN	KG	CODE AISI 304L	CODE AISI 316L
3/4"	20	126	26,9	110	60	64	0,78	210160 42010	210160 62010
1"	25	128	33,7	160	65	40	1,22	210160 42610	210160 62610
1 1/4"	32	134	42,4	160	70	40	--	210160 43010	210160 63010
1 1/2"	40	148	48,3	190	80	40	2,43	210160 43410	210160 63410
2"	50	158	60,3	190	90	25	3,68	210160 43810	210160 63810
2 1/2"	65	172	73	235	110	25	5,98	210160 44410	210160 64410
3"	80	194	88,9	285	130	25	9,12	210160 44810	210160 64810
4"	100	206	114,3	310	150	25	14,9	210160 45410	210160 65410



POS.	DENOMINATION	PCS	MAT.
1	Body	1	AISI 304L - 316L
2	Ball	1	AISI 304L - 316L
3	Sleeves	2	AISI 304L - 316L
4	Stem	1	AISI 304L - 316L
5	Ball seals	2	PTFE
6	Sleeve seals	2	PTFE
7	Stem seal	1	PTFE
8	Stem seal	1	PTFE
9	Stem OR-seal	1	FKM
10	Register ring	1	AISI 304L (303)
11	Nut	1	AISI 304L
12	Washer	1	AISI 304L
13	Lever	1	AISI 304L
14	Handle	1	Resina

