



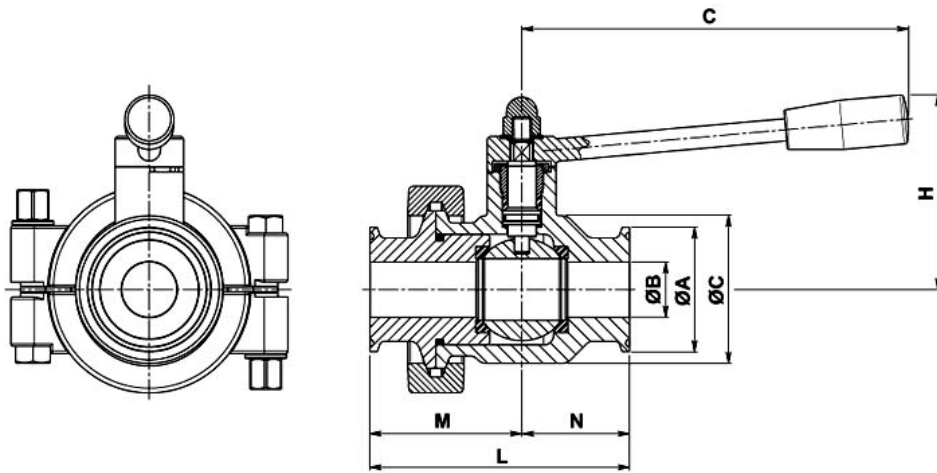
## 120230\_BS

Two-way ball valve  
 Drive: Inox lever  
 Connection: **CLAMP normative DIN 32676 TAB.4 REIHE C**  
**According to normative BS/OD (ASTM A270) for TUBE**  
 Flow: full  
 Material: Aisi 316L  
 Measure: from 1" to 2"  
 Seals: virgin P.T.F.E.  
 Operating temperature: -20°C +160°C  
 Outer finish: polished

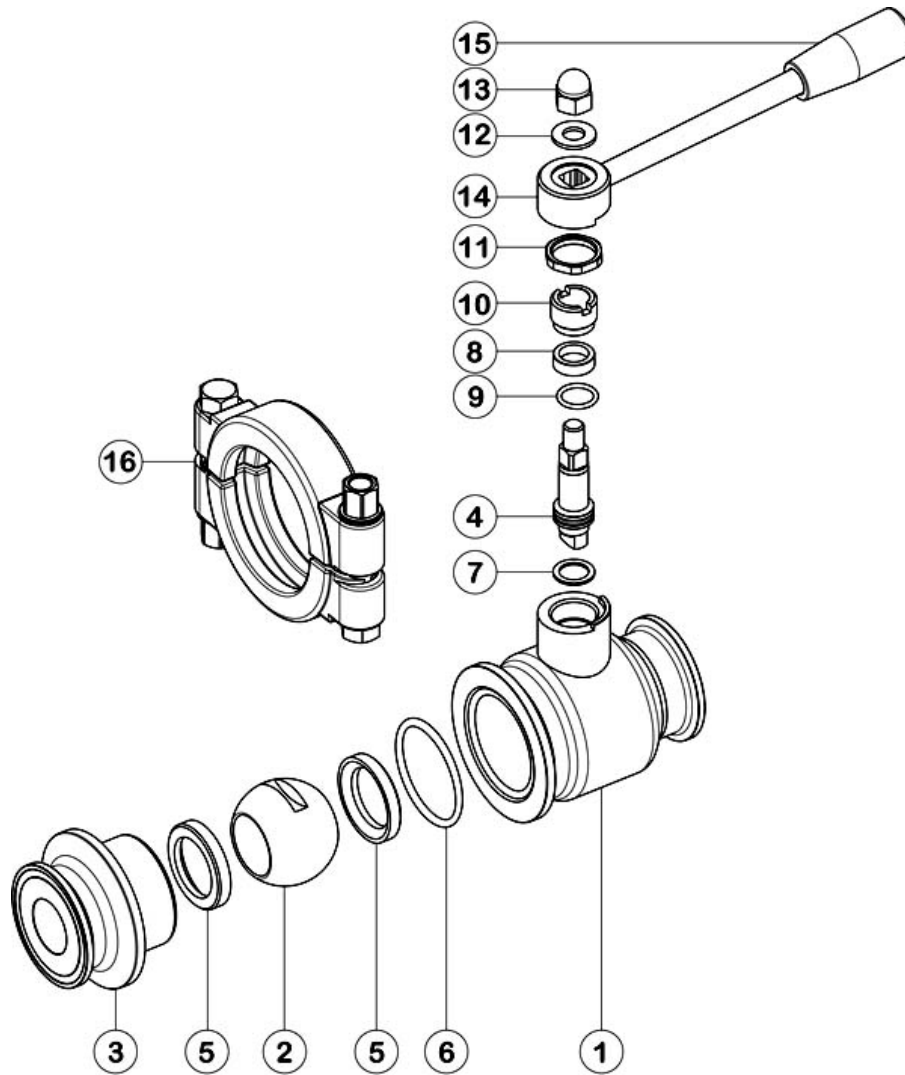
### On request

Antistatic device ATEX (Directive 94/9/EC)

- Seals made of:  
 P.T.F.E. with glass  
 P.T.F.E. with carbographe  
 High-molecular weight polyethylene



CLAMP REIHE C DN/OD	DN	Ø B	L	M	N	Ø A	Ø C	C	H	PN	KG	CODE AISI 316L
1"	25	22,5	106	58	44	50,5	60	160	80	40	2,40	120230 62610
1"1/2	40	34,8	126	70	56	50,5	80	180	92	25	3,48	120230 63410
2"	50	47,4	136	77	59	64	95	180	100	25	4,72	120230 63810



POS.	DENOMINATION	PCS	MAT.
1	Body	1	AISI 316L
2	Ball	1	AISI 316L
3	Sleeve	1	AISI 316L
4	Stem	1	AISI 316L
5	Ball seals	2	PTFE
6	Sleeve OR	1	Silicone
7	Stem seal	1	PTFE
8	Stem seal	1	PTFE
9	Stem OR-seal	1	FKM
10	Register ring	1	AISI 304L (303)
11	Ring nut	1	AISI 304L
12	Lever washer	1	AISI 304L
13	Lever nut	1	AISI 304L
14	Lever	1	AISI 304L
15	Handle	1	AISI 303
16	Clip Clamp	1	AISI 304L

