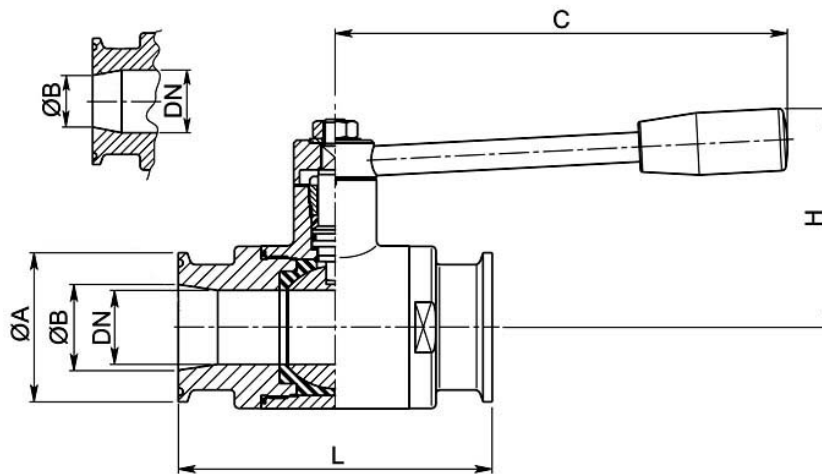




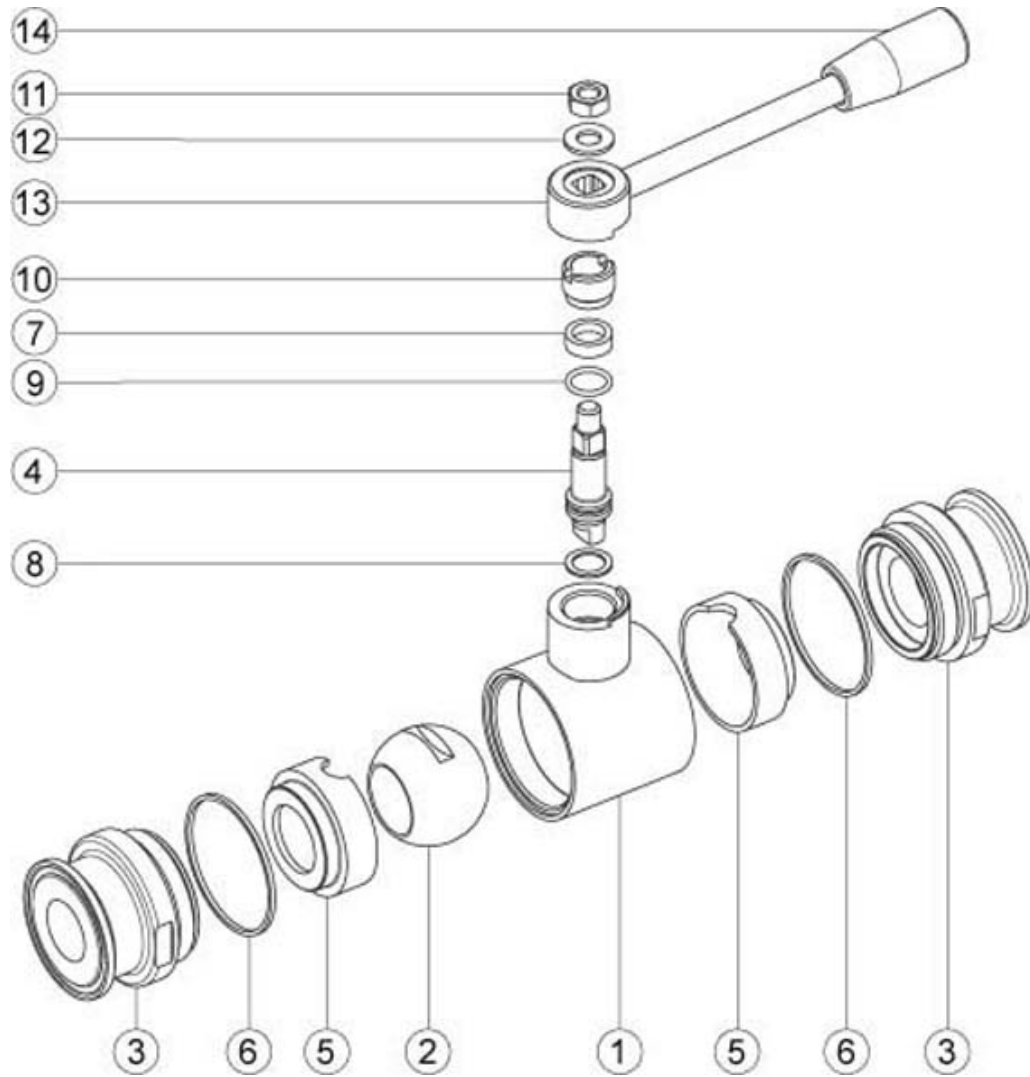
130130_ISO

Two-way ball valve "Integral Seal"
 Drive: Inox lever
 Connection: **CLAMP normative DIN 32676 TAB.3 REIHE B**
According to normative ISO 1127 for TUBE
 Flow: full and reduced
 Material: Aisi 316L
 Measure: from 1/2" to 4"
 Seals: virgin P.T.F.E.
 Operating temperature: -20°C +160°C
 Outer finish: polished

On request
 Antistatic device ATEX (Directive 94/9/EC)
 • Seals made of:
 P.T.F.E. with glass



CLAMP REIHE B DN/OD	DN	L	Ø A	Ø B	C	H	PN	KG	CODICE_AISI_316
13.5	10	88	25	10.3	110	55	64	0,52	130130 61110
17.2	15	92	25	14	110	60	64	0,64	130130 61710
21.3	20	102	50,5	18.1	160	65	64	1,24	130130 62310
26.9	25	106	50,5	23.7	160	70	40	1,42	130130 62510
33.7	32	112	50,5	29.7	160	75	40	1,66	130130 63110
42.4	40	126	64	38.4	190	85	40	2,79	130130 63310
48.3	40	126	64	44.3	190	85	40	2,79	130130 63710
60.3	50	136	77.5	56.3	190	95	25	3,87	130130 64110
76.1	65	154	91	72.1	220	115	25	5,97	130130 64710
88.9	80	184	106	84.3	285	135	25	10,70	130130 65110
114.3	100	190	130	109.7	310	150	25	14,40	130130 65310



POS.	DENOMINATION	PCS	MAT.
1	Body	1	AISI 316L
2	Ball	1	AISI 316L
3	Sleeves	2	AISI 316L
4	Stem	1	AISI 316L
5	Ball seals	2	PTFE
6	Sleeve seals	2	PTFE
7	Stem seal	1	PTFE
8	Stem seal	1	PTFE
9	Stem OR-seal	1	FKM
10	Register ring	1	AISI 304L (303)
11	Nut	1	AISI 304L
12	Washer	1	AISI 304L
13	Lever	1	AISI 304L
14	Handle	1	Resina

