



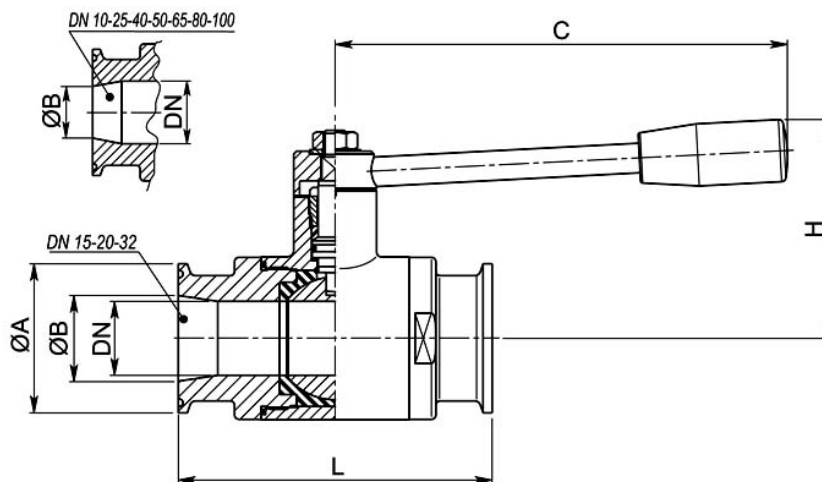
130130_BS

Two-way ball valve "Integral Seal"
 Drive: Inox lever
 Connection: **CLAMP normative DIN 32676 TAB.4 REIHE C**
According to normative BS/OD (ASTM A270) for TUBE
 Flow: full and reduced
 Material: Aisi 316L
 Measure: from 1/2" to 4"
 Seals: virgin P.T.F.E.
 Operating temperature: -20°C +160°C
 Outer finish: polished

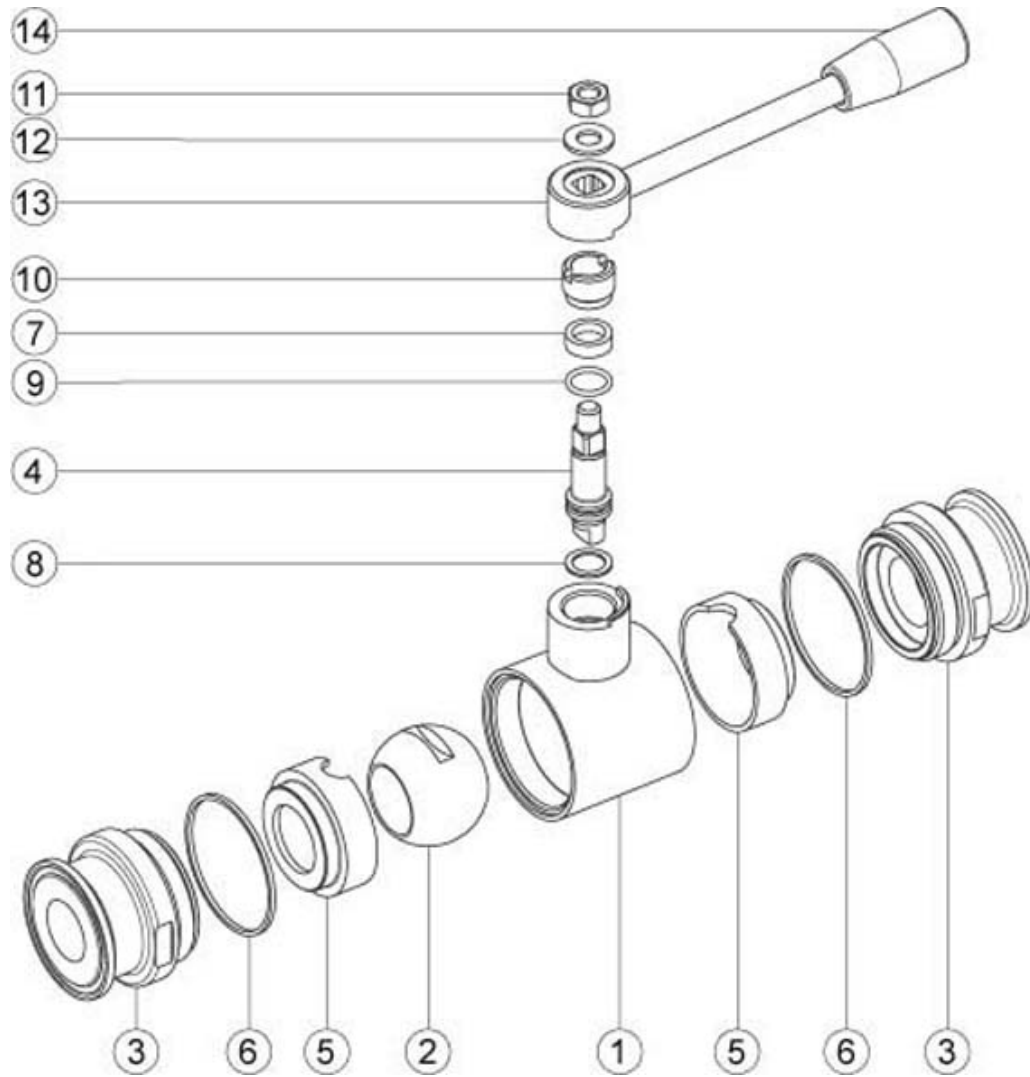
On request

Antistatic device ATEX (Directive 94/9/EC)

- Seals made of:
P.T.F.E. with glass



CLAMP REIHE C DN/OD	DN	L	Ø A	Ø B	C	H	PN	KG	CODE AISI 316L
1/2"	10	88	25	9,4	110	55	64	0,52	130130 61210
3/4"	15	92	25	15,75	110	60	64	0,64	130130 61810
1"	20	102	50,5	22,1	160	65	64	1,24	130130 62410
1"	25	106	50,5	22,1	160	70	40	1,42	130130 62610
1*1/2	32	112	50,5	34,8	160	75	40	1,66	130130 63210
1*1/2	40	126	50,5	34,8	190	85	40	2,79	130130 63410
2"	50	136	64	47,5	190	95	25	3,87	130130 63810
2*1/2	65	154	77,5	60,2	220	115	25	5,97	130130 64410
3"	80	184	91	72,9	285	135	25	10,70	130130 64810
4"	100	190	119	97,38	310	150	25	14,40	130130 65410



POS.	DENOMINATION	PCS	MAT.
1	Body	1	AISI 316L
2	Ball	1	AISI 316L
3	Sleeves	2	AISI 316L
4	Stem	1	AISI 316L
5	Ball seals	2	PTFE
6	Sleeve seals	2	PTFE
7	Stem seal	1	PTFE
8	Stem seal	1	PTFE
9	Stem OR-seal	1	FKM
10	Register ring	1	AISI 304L (303)
11	Nut	1	AISI 304L
12	Washer	1	AISI 304L
13	Lever	1	AISI 304L
14	Handle	1	Resina

