



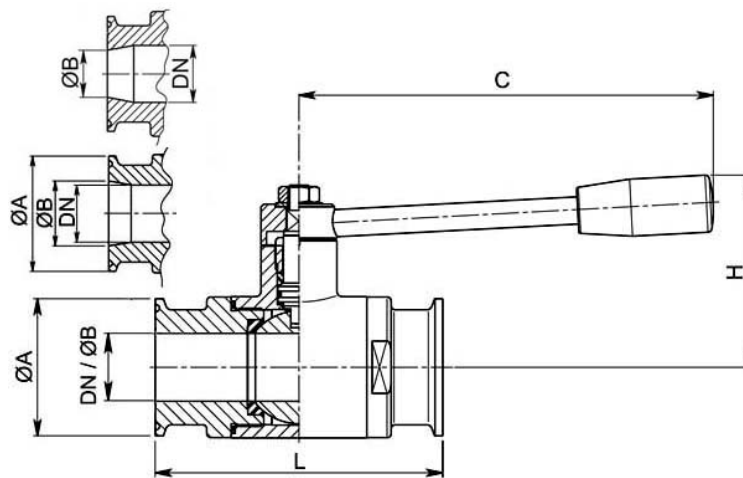
## 100130\_DIN

Two-way ball valve  
 Drive: Inox lever  
 Connection: **CLAMP normative DIN 32676 TAB.2 REIHE A**  
**According to normative DIN 11850 for TUBE**  
 Flow: full and reduced  
 Material: Aisi 304L - 316L  
 Measure: from DN10 to DN100  
 Seals: virgin P.T.F.E.  
 Operating temperature: -20°C +160°C  
 Outer finish: polished

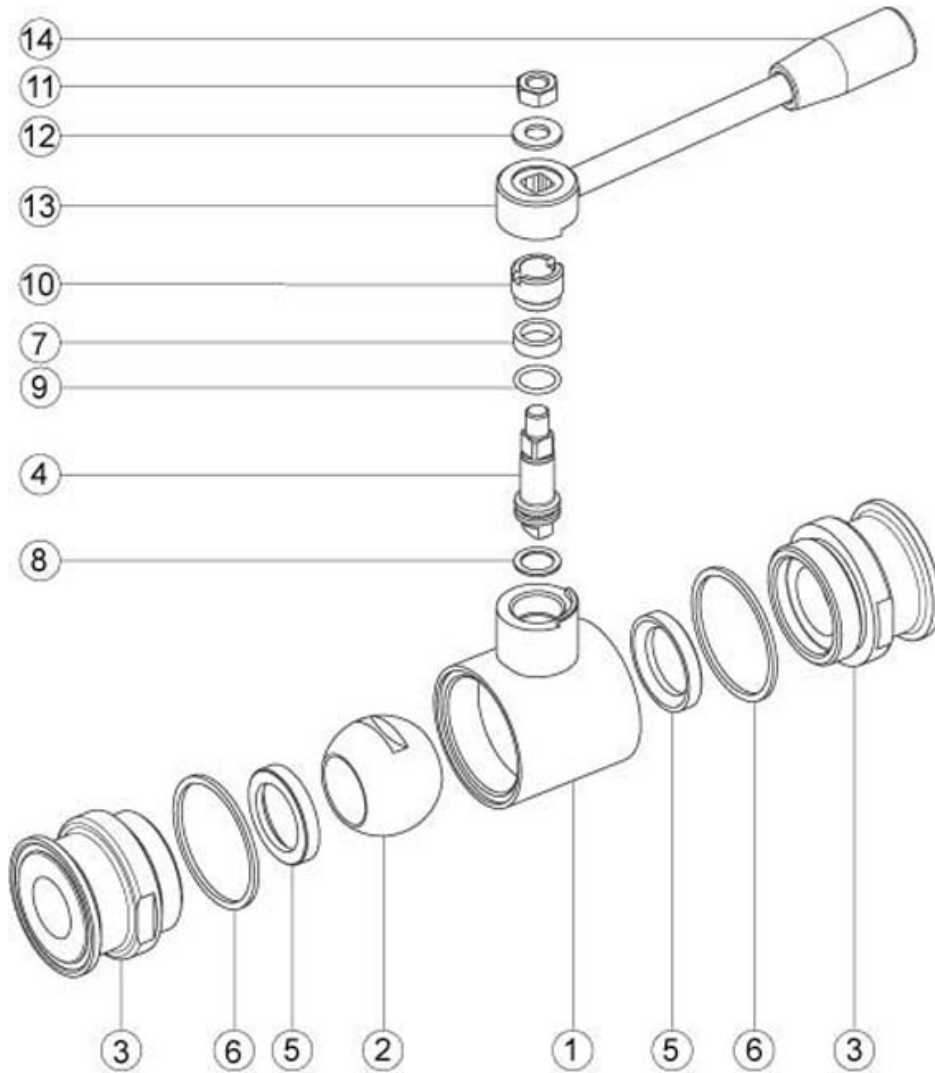
### On request

Antistatic device ATEX (Directive 94/9/EC)

- KF connection
- Seals made of:  
 P.T.F.E. with glass  
 P.T.F.E. with carbograpite  
 High-molecular weight polyethylene



CLAMP REIHE A DN	L	Ø A	Ø B	C	H	PN	Kg	CODE AISI 304L	CODE AISI 316L
10	88	34	10	110	50	64	0,43		100130 61410
15	92	34	16	110	55	64	0,52		100130 61910
20	102	34	20	110	60	64	0,93	100130 42010	100130 62010
25	106	50,5	26	160	65	40	1,35	100130 42810	100130 62810
32	112	50,5	32	160	70	40	1,42	100130 43010	100130 63010
40	126	50,5	38	190	80	40	2,43	100130 43510	100130 63510
50	136	64	50	190	90	25	3,51	100130 44010	100130 64010
65	154	91	66	235	110	25	5,80	100130 44610	100130 64610
80	184	106	81	285	130	25	9,00	100130 44910	100130 64910
100	190	119	100	310	150	25	13,60	100130 45610	100130 65610



POS.	DENOMINATION	PCS	MAT.
1	Body	1	AISI 316L
2	Ball	1	AISI 316L
3	Sleeves	2	AISI 316L
4	Stem	1	AISI 316L
5	Ball seals	2	PTFE
6	Sleeve seals	2	PTFE
7	Stem seal	1	PTFE
8	Stem seal	1	PTFE
9	Stem OR-seal	1	FKM
10	Register ring	1	AISI 304L (303)
11	Nut	1	AISI 304L
12	Washer	1	AISI 304L
13	Lever	1	AISI 304L
14	Handle	1	Resina

