



510130_BS

Two-way ball valve, 3 Pieces
 Drive: Inox lever
 Connection: **CLAMP normative DIN 32676 TAB.4 REIHE C**
According to normative BS/OD (ASTM A270) for TUBE
 Flow: full
 Material: Aisi 304L e 316L
 Measure: from DN 15 to DN 100
 Seals: virgin P.T.F.E.
 Operating temperature: -20°C +160°C
 Outer finish: Polished

On request

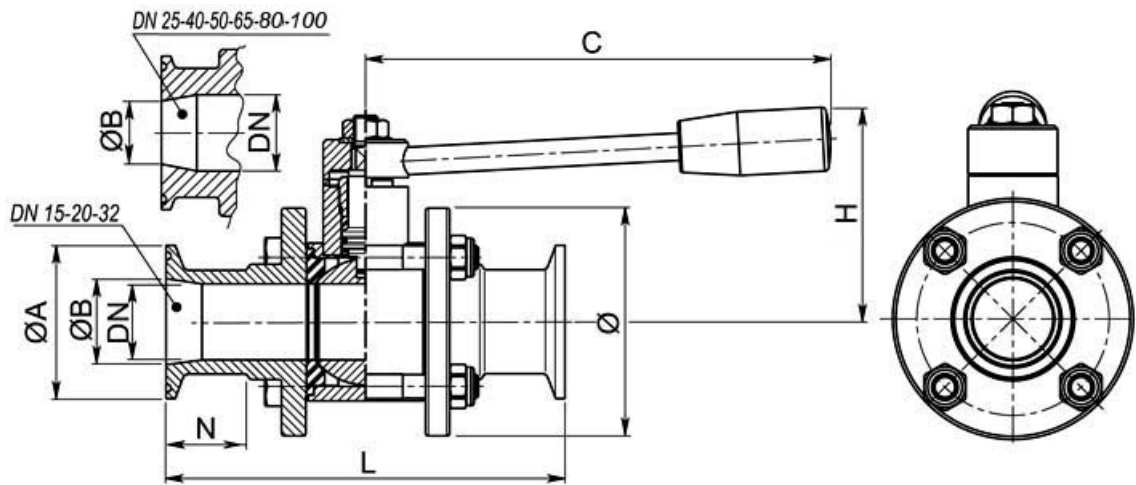
Antistatic device ATEX (Directive 94/9/EC)

• Seals made of:

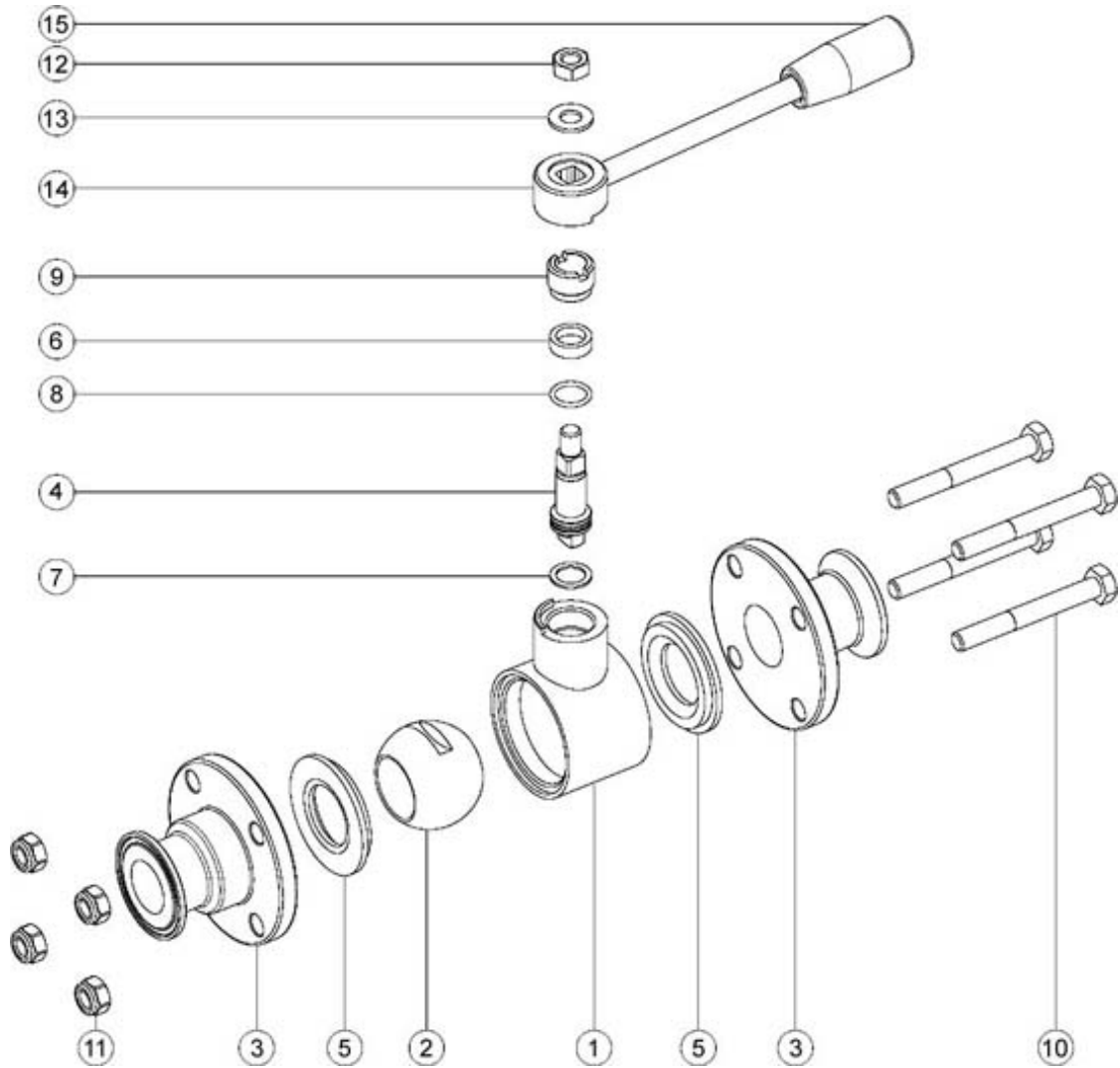
P.T.F.E. with glass

P.T.F.E. with carbographite

UHMW



CLAMP REIHE C DN/OD	DN	L	C	H	N	Ø	Ø A	Ø B	STAY BOLTS	Tighteningbolts (Nm)	PN	KG	304	CODE AISI 316L
3/4"	15	95	110	55	19	55	25	15,75	6 x 45	4	64	0,58	-	510130 61810
1"	20	106	110	60	19	60	50,5	22,1	6 x 50	4	40	-	-	510130 62410
1"	25	118	160	70	19	75	50,5	22,1	8 x 65	8	40	-	510130 42610	510130 62610
1" 1/2	32	126	160	80	19	85	50,5	34,8	8 x 70	10	25	1,78	510130 43210	510130 63210
1" 1/2	40	145	190	95	19	100	50,5	34,8	10 x 90	12	25	-	510130 43410	510130 63410
2"	50	165	190	100	19	120	64	47,5	10 x 100	13	25	-	510130 43810	510130 63810
2" 1/2	65	191	235	110	19	140	77,5	60,2	10 x 120	20	25	-	510130 44410	510130 64410
3"	80	208	285	130	27	165	91	72,9	10 x 140	20	16	-	510130 44810	510130 64810
4"	100	230	310	150	27	200	119	97,48	12 x 170	22	16	-	510130 45410	510130 65410



POS.	DENOMINATION	PCS	MAT.
1	Body	1	AISI 316L - AISI 304L
2	Ball	1	AISI 316L - AISI 304L
3	Sleeves	2	AISI 316L - AISI 304L
4	Stem	1	AISI 316L
5	Ball seals	2	PTFE
6	Stem seal	1	PTFE
7	Stem seal	1	PTFE
8	Stem OR-seal	1	FKM
9	Register ring	1	AISI 304L (303)
10	Stay bolt	4	AISI 304L
11	Self-clamping nut	4	AISI 304L
12	Nut	1	AISI 304L
13	Washer	1	AISI 304L
14	Lever	1	AISI 304L
15	Handle	1	Duroplast

