



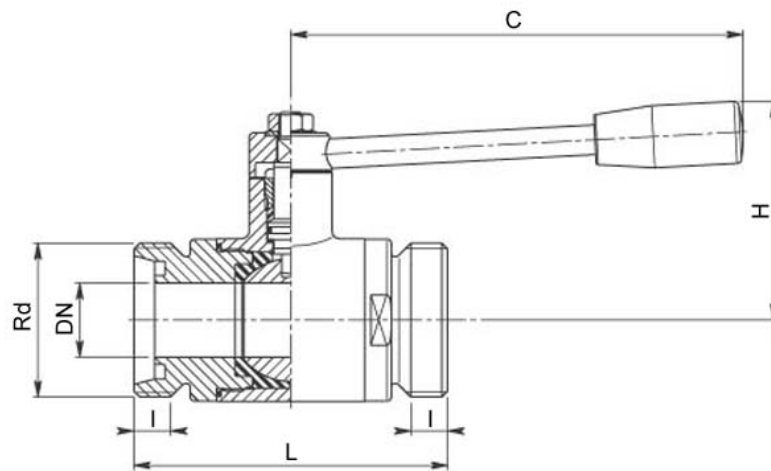
130125

Two-way ball valve "Integral Seal"
 Drive: Inox lever
 Connection: DIN 11851 female/female
 Flow: full
 Material: Aisi 316
 Measure: from DN 10 to DN 100
 Seals: virgin P.T.F.E.
 Operating temperature: -20°C +160°C
 Outer finish: polished

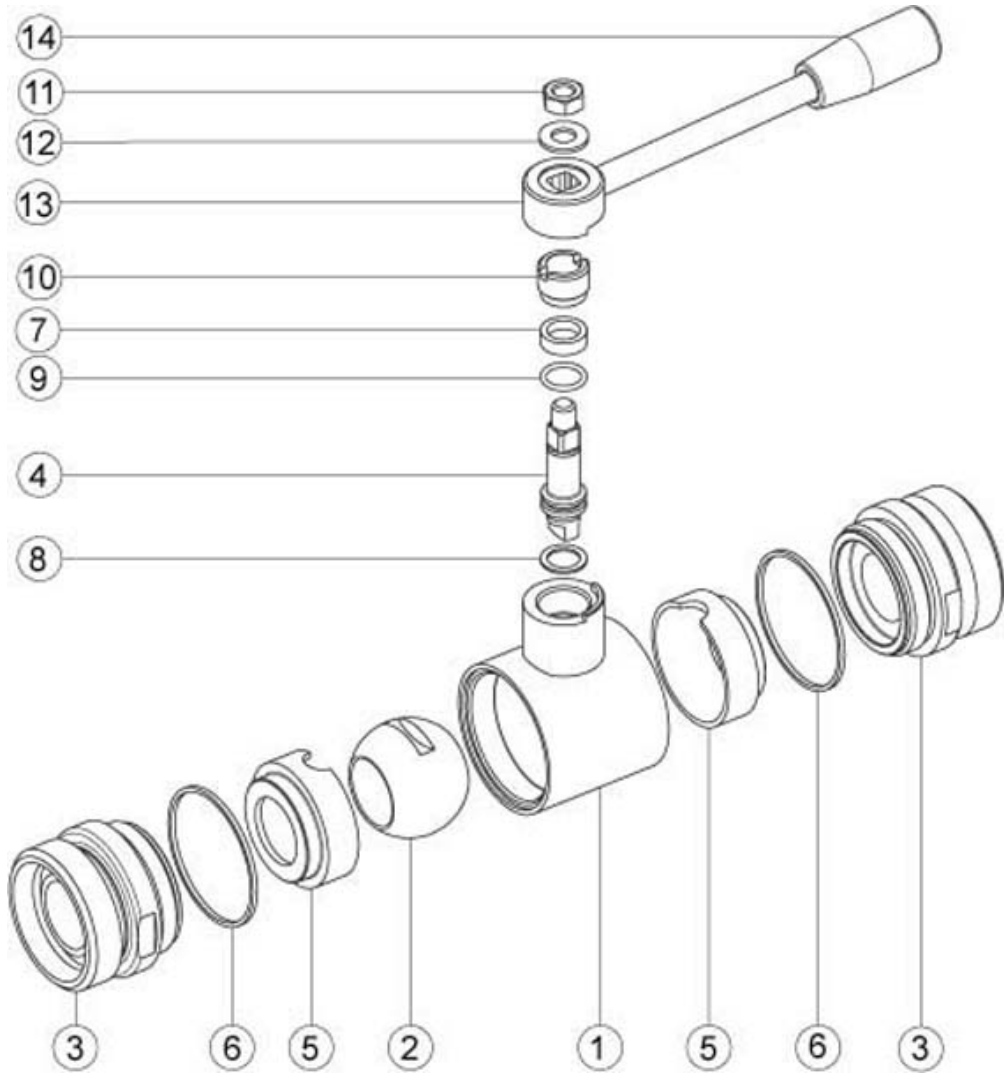
On request

Antistatic device ATEX (Directive 94/9/EC)

- SMS connection
- DIN male connection



DIN	DN	Rd	L	I	C	H	PN	KG	CODE AISI 316L
10	10	28 x 1/8"	88	12	110	55	64	0,54	130125 60810
15	15	34 x 1/8"	92	12	110	60	64	0,65	130125 61410
20	20	44 x 1/6"	102	14	160	65	64	1,20	130125 62010
25	25	52 x 1/6"	106	14	160	70	40	1,38	130125 62610
32	32	58 x 1/6"	112	14	160	75	40	1,74	130125 63010
40	40	65 x 1/6"	126	14	190	85	40	2,94	130125 63410
50	50	78 x 1/6"	136	14	190	95	25	4,17	130125 63810
65	65	95 x 1/6"	154	16	220	115	25	6,28	130125 64410
80	80	110 x 1/4"	184	20	285	135	25	10,09	130125 64810
100	100	130 x 1/4"	190	20	310	150	25	14,40	130125 65410
125	Reduced 100	160 x 1/6"	190	25	310	150	25	-	130125 65510



POS.	DENOMINATION	PCS	MAT.
1	Body	1	AISI 316L
2	Ball	1	AISI 316L
3	Sleeves	2	AISI 316L
4	Stem	1	AISI 316L
5	Ball seals	2	PTFE
6	Sleeve seals	2	PTFE
7	Stem seal	1	PTFE
8	Stem seal	1	PTFE
9	Stem OR-seal	1	FKM
10	Register ring	1	AISI 304L (303)
11	Nut	1	AISI 304L
12	Washer	1	AISI 304L
13	Lever	1	AISI 304L
14	Handle	1	Resina

