



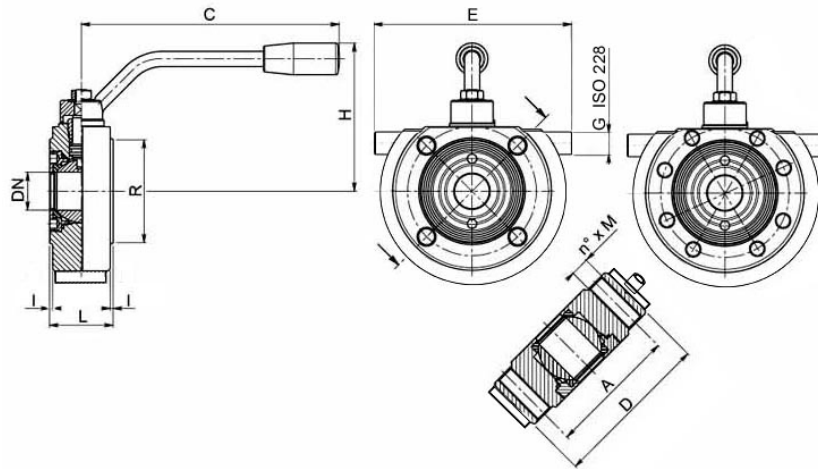
400150_C

Two-way ball valve, Flat Body **HEATABLE/COOLABLE**
 Drive: Inox lever
 Connection: threaded holes for UNI EN 1092-1:2003
 Flow: full
 Material: Aisi 304 - 316
 Measure: from DN 15 to DN 100
 Seals: virgin P.T.F.E.
 Operating temperature: -20°C +160°C

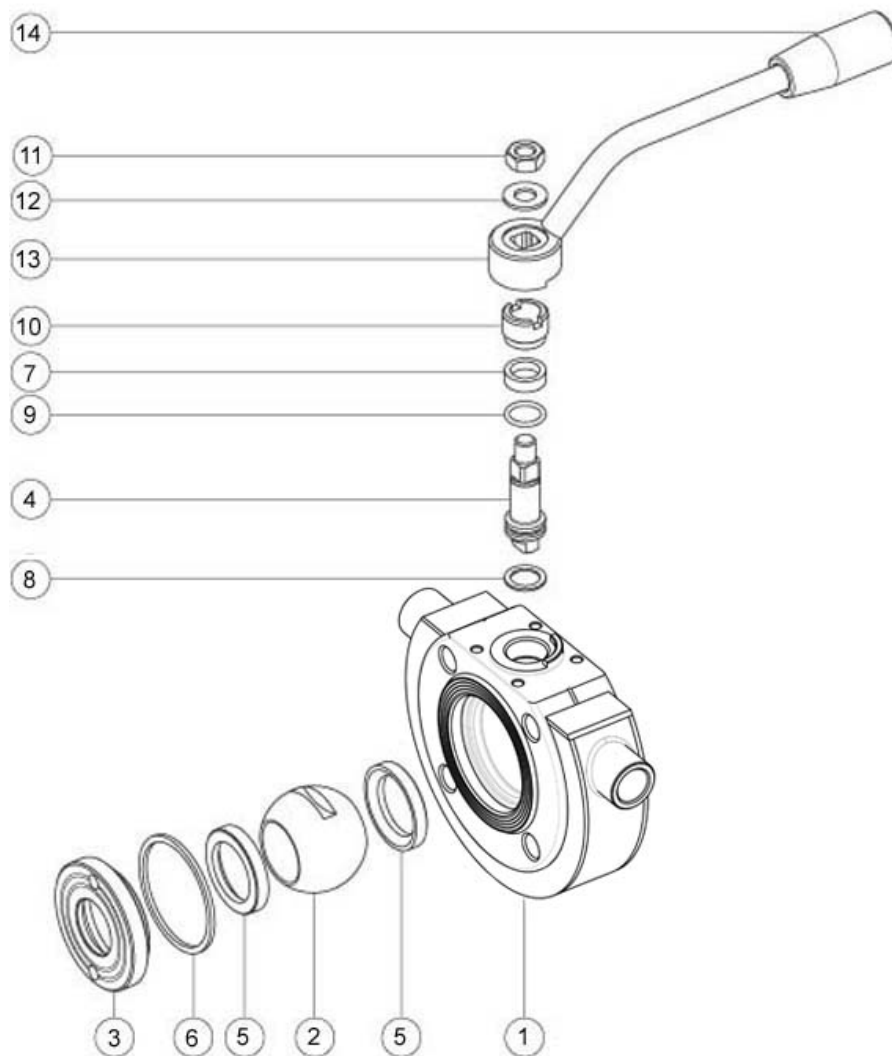
On request

Antistatic device ATEX (Directive 94/9/EC)

- Seals made of:
 P.T.F.E. with glass
 P.T.F.E. with carbographite
 High-molecular weight polyethylene



DN	L	C	H	D	EEE	G	I	R	A	n° x M	PN	KG	304	CODE AISI 316L
15	35	125	85	90	140	1/4"	1,5	45	65	4 x M12	40	1.667	400150C41410	400150C61410
20	38	125	100	100	154	3/8"	1,5	58	75	4 x M12	40	2.34	400150C42010	400150C62010
25	42	170	105	105	154	3/8"	2	68	85	4 x M12	40	2.66	400150C42610	400150C62610
32	50	240	120	130	192	1/2"	2	78	100	4 x M16	40	5.0	400150C43010	400150C63010
40	60	240	125	140	204	1/2"	3	88	110	4 x M16	40	6.5	400150C43410	400150C63410
50	72	240	135	150	223	1/2"	3	102	125	4 x M16	40	8.71	400150C43810	400150C63810
65	95	260	145	180	230	1/2"	3	122	145	4 x M16	16	15.93	400150C44410	400150C64410
80	118	300	150	200	244	1/2"	3	138	160	8 x M16	16	23.21	400150C44810	400150C64810
100	152	330	165	220	260	1/2"	3	158	180	8 x M16	16	40.6	400150C45410	400150C65410



POS.	DENOMINATION	PCS	MAT.
1	Body	1	AISI 316L
2	Ball	1	AISI 316L
3	Ring nut	1	AISI 316L
4	Stem	1	AISI 316L
5	Ball seals	2	PTFE
6	Ring nut seal	1	PTFE
7	Stem seal	1	PTFE
8	Stem seal	1	PTFE
9	Stem OR-seal	1	FKM
10	Register ring	1	AISI 304L (303)
11	Nut	1	AISI 304L
12	Washer	1	AISI 304L
13	Lever	1	AISI 304L
14	Handle	1	Resina

