



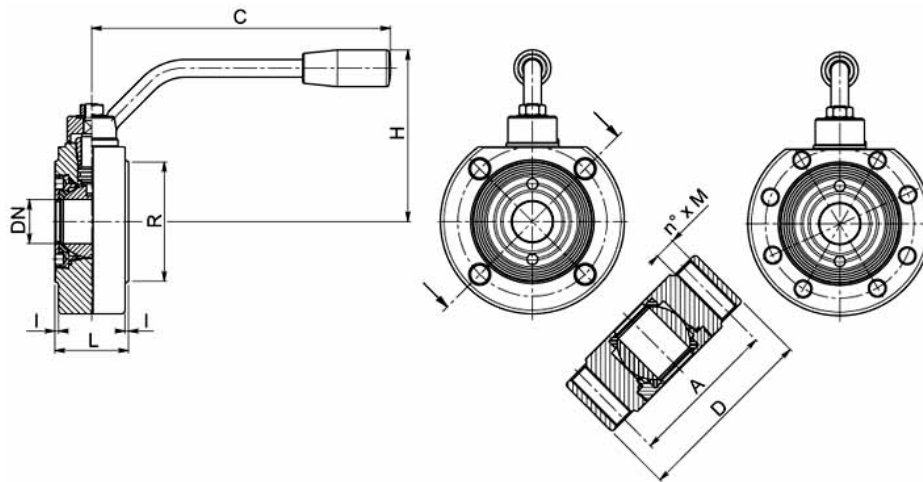
400150

Two-way ball valve, Flat Body
 Drive: Inox lever
 Connection: threaded holes for UNI EN 1092-1:2003
 Flow: full
 Material: Aisi 304 - 316
 Measure: from DN 15 to DN 100
 Seals: virgin P.T.F.E.
 Operating temperature: -20°C +160°C

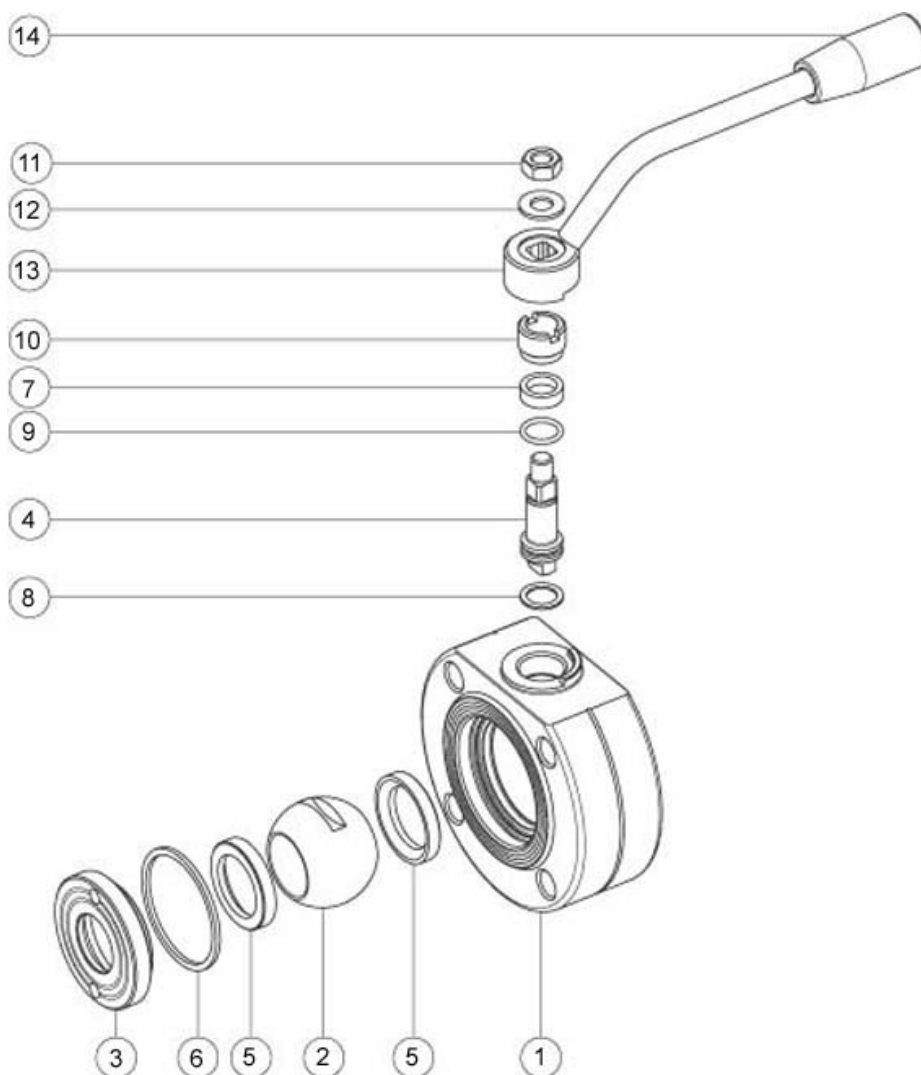
On request

Antistatic device ATEX (Directive 94/9/EC)

- Seals made of:
 P.T.F.E. with glass
 P.T.F.E. with carbograpthite
 High-molecular weight polyethylene



DN	L	C	H	D	I	R	A	n° x M	PN	KG	CODE AISI 304L	CODE AISI 316L
15	35	125	85	90	1,5	45	65	4 x M12	40	1,46	400150 41410	400150 61410
20	38	125	100	100	1,5	58	75	4 x M12	40	2,08	400150 42010	400150 62010
25	42	170	105	105	2	68	85	4 x M12	40	2,38	400150 42610	400150 62610
32	50	240	120	130	2	78	100	4 x M16	40	4,53	400150 43010	400150 63010
40	60	240	125	140	3	88	110	4 x M16	40	5,94	400150 43410	400150 63410
50	72	240	135	154	3	102	125	4 x M16	40	7,95	400150 43810	400150 63810
65	95	260	145	180	3	122	145	4 x M16	16	14,97	400150 44410	400150 64410
80	118	300	150	200	3	138	160	8 x M16	16	21,92	400150 44810	400150 64810
100	152	330	165	210	3	158	180	8 x M16	16	40	400150 45410	400150 65410
125	185	370	181	255	3	188	210	8 x M16	16	54,20	400150 45810	400150 65810
150	235	584	249	295	3	212	240	8 x M20	16	90,57	400150 46210	400150 66210
200	310	584	288	373	3	268	295	12 x M20	16	177,06	400150 46410	400150 66410
100 - Da fusione/Casted	140	370	165	220	3	158	180	8 x M16	16	20,00	400150 45415	400150 65415
125 - Da fusione/Casted	185	370	181	250	3	188	210	8 x M16	16	39,82	400150 45815	400150 65815
150 - Da fusione/Casted	235	584	249	285	3	212	240	8 x M20	16	63,10	400150 46215	400150 66215
200 - Da fusione/Casted	310	584	288	340	3	268	295	12 x M20	16	139,00	400150 46415	400150 66415



POS.	DENOMINATION	PCS	MAT.
1	Body	1	AISI 316L
2	Ball	1	AISI 316L
3	Ring nut	1	AISI 316L
4	Stem	1	AISI 316L
5	Ball seals	2	PTFE
6	Ring nut seal	1	PTFE
7	Stem seal	1	PTFE
8	Stem seal	1	PTFE
9	Stem OR-seal	1	FKM
10	Register ring	1	AISI 304L (303)
11	Nut	1	AISI 304L
12	Washer	1	AISI 304L
13	Lever	1	AISI 304L
14	Handle	1	Resina

