

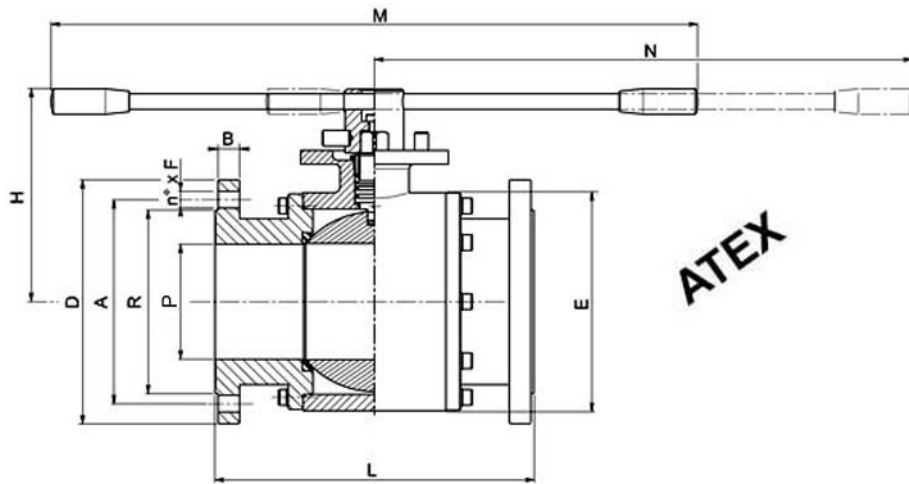


110450

Two-way ball valve
 Drive: Inox lever
 Connection: Flanges UNI EN 1092-1:2003
 Flow: full
 Material: Aisi 304 - 316
 Measure: 5"
 Seals: virgin P.T.F.E.
 Operating temperature: -20°C +160°C
 Outer finish: turned

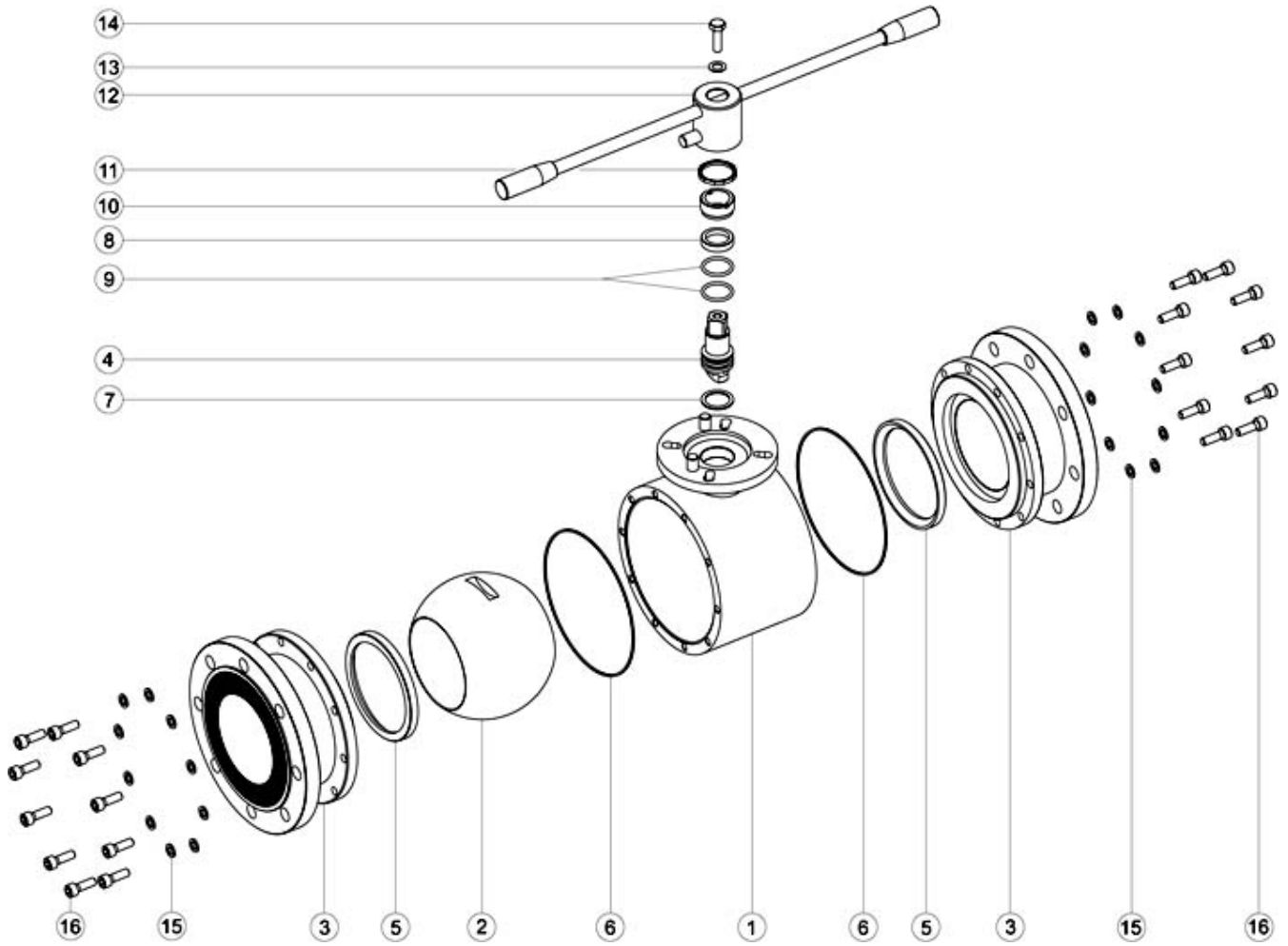
On request:

- ISO 7 thread
- NPT thread
- Seals made of:
 P.T.F.E. with glass
 P.T.F.E. with carbographite
 High-molecular weight polyethylene



ATEX

DN	Ø P	L	M	N	H	Ø E	Ø D	B	Ø R	A	n° x F	PN	KG	CODE AISI 304L	CODE AISI 316L
125	120	325	670	576	220	222	250	22	188	210	8 x 18	16	59,24	110450A45810	110450A65810



POS.	DENOMINATION	PCS	MAT.
1	Body	1	AISI 304L - 316L
2	Ball	1	AISI 304L - 316L
3	Sleeves	2	AISI 304L - 316L
4	Stem	1	AISI 304L - 316L
5	Ball seals	2	PTFE
6	Sleeve seals	2	PTFE
7	Stem seal	1	PTFE
8	Stem seal	1	PTFE
9	Stem OR-seal	2	FKM
10	Register ring	1	AISI 304L (303)
11	Nut	1	AISI 304L
12	Lever	1	AISI 304L
13	Lever washer	1	AISI 304L
14	Lever bolt	1	AISI 304L
15	Sleeve washer	10	AISI 304L
16	Sleeve bolt	10	AISI 304L

