

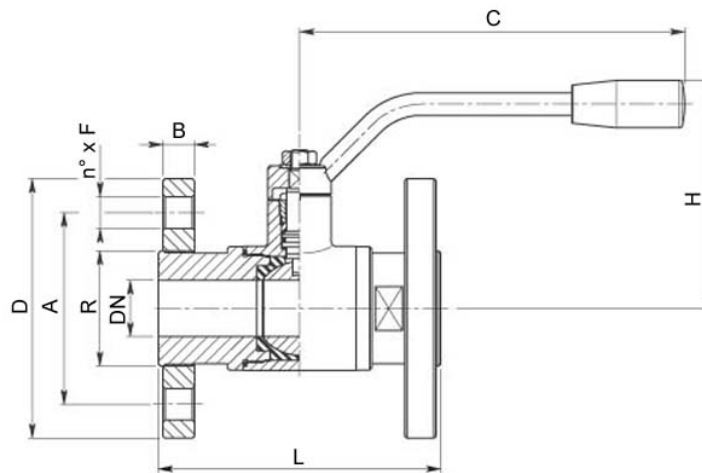


130150

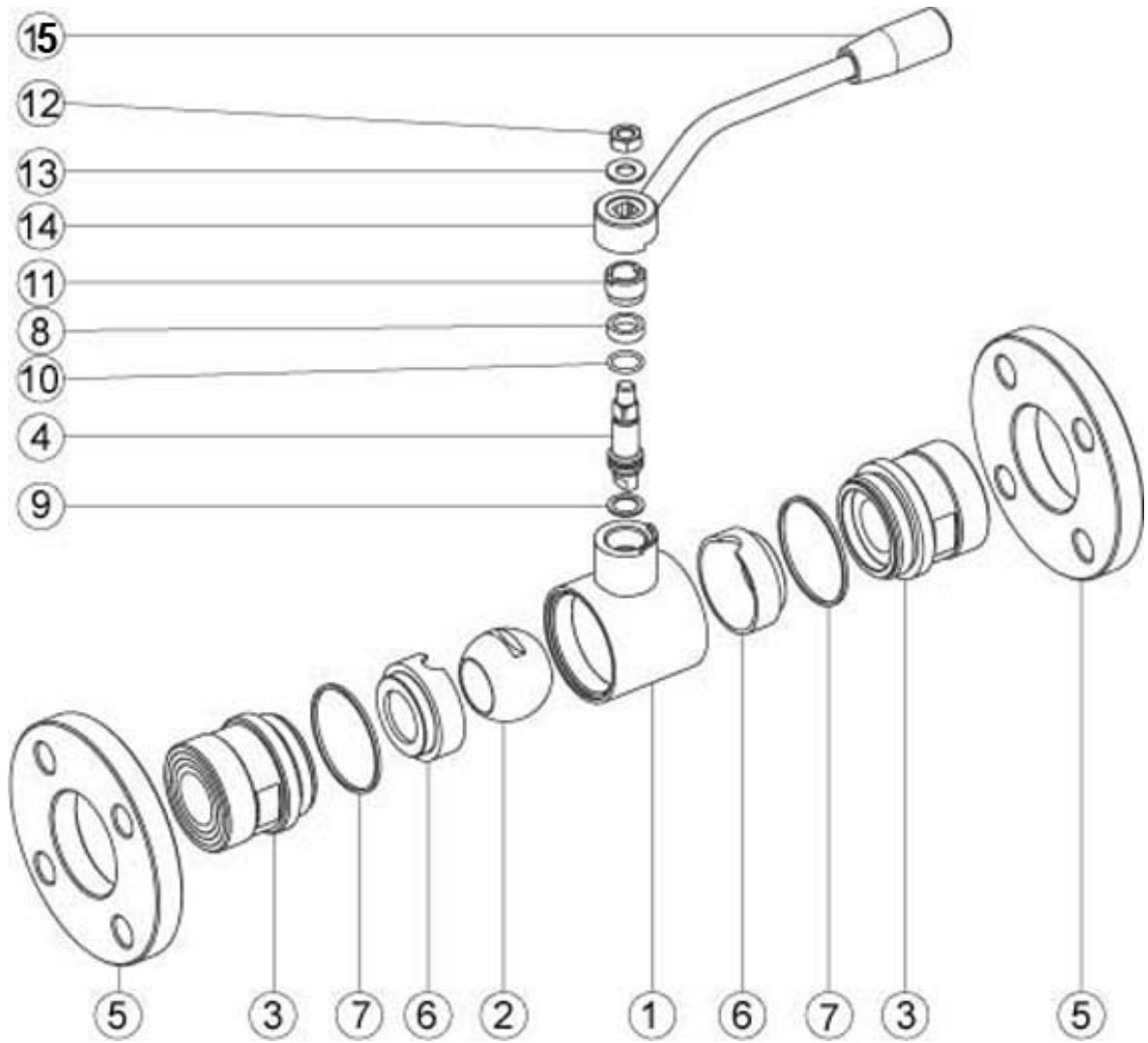
Two-way ball valve "Integral Seal"
 Drive: Inox lever
 Connection: revolving threaded flanges UNI EN 1092-1:2003
 Flow: full Material: Aisi 316
 Measure: from DN 10 to DN 100
 Seals: virgin P.T.F.E.
 Operating temperature: -20°C +160°C
 Outer finish: polished

On request:

- Antistatic device ATEX (Directive 94/9/EC)
- zinc-plated flanges
- ANSI 150 flanges
- ANSI 300 flanges



DN	L	C	H	D	B	R	A	n° x F	PN	KG	CODE AISI 316L
10	110	125	75	90	12	30	60	4x14	40	1,70	130150 60810
15	115	125	80	95	12	35	65	4x14	40	1,87	130150 61410
20	120	170	90	105	14	42	75	4x14	40	3,10	130150 62010
25	125	170	105	115	14	51	85	4x14	40	3,53	130150 62610
32	130	170	115	140	16	63	100	4x18	40	5,23	130150 63010
40	140	240	125	150	16	75	110	4x18	40	6,82	130150 63410
50	150	240	135	165	18	89	125	4x18	40	9,37	130150 63810
65	170	260	150	185	18	110	145	4x18	16	13,00	130150 64410
65	170	260	150	185	20	110	145	8x18	25	-	130152 64410
80	180	300	165	200	18	120	160	8x18	16	17,58	130150 64810
80	180	300	165	200	24	120	160	8x18	25	-	130152 64810
100	190	330	180	220	20	140	180	8x18	16	22,80	130150 65410
100	190	330	180	235	24	140	190	8x22	25	-	130152 65410
125 Reduced 100	200	330	180	250	22	153	210	8x18	16	-	130150 65510



POS.	DENOMINATION	PCS	MAT.
1	Body	1	AISI 316L
2	Ball	1	AISI 316L
3	Sleeves	2	AISI 316L
4	Stem	1	AISI 316L
5	Flanges	2	AISI 316L - Aq
6	Ball seals	2	PTFE
7	Sleeve seals	2	PTFE
8	Stem seal	1	PTFE
9	Stem seal	1	PTFE
10	Stem OR-seal	1	FKM
11	Register ring	1	AISI 304L (303)
12	Nut	1	AISI 304L
13	Washer	1	AISI 304L
14	Lever	1	AISI 304L
15	Handle	1	Resina

