



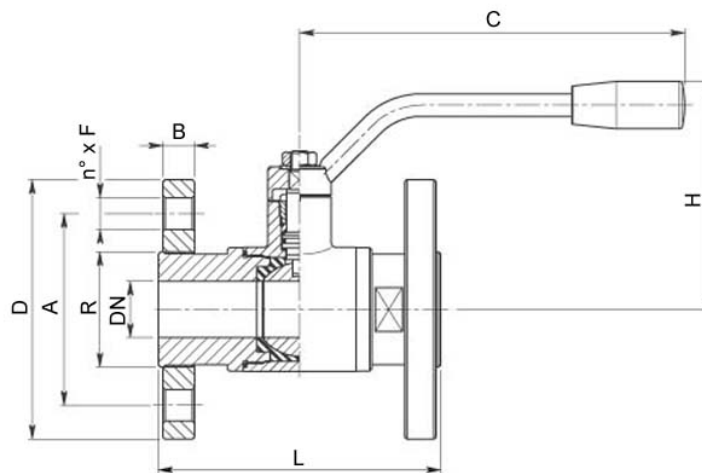
130155

Two-way ball valve "Integral Seal"
 Drive: Inox lever
 Connection: EN 1759-1 CLASS 150 (exANSI 150) revolving threaded flanges
 Flow: full
 Material: Aisi 316L
 Measure: from 1/2" to 4"
 Seals: virgin P.T.F.E.
 Operating temperature: -20°C +160°C
 Outer finish: polished

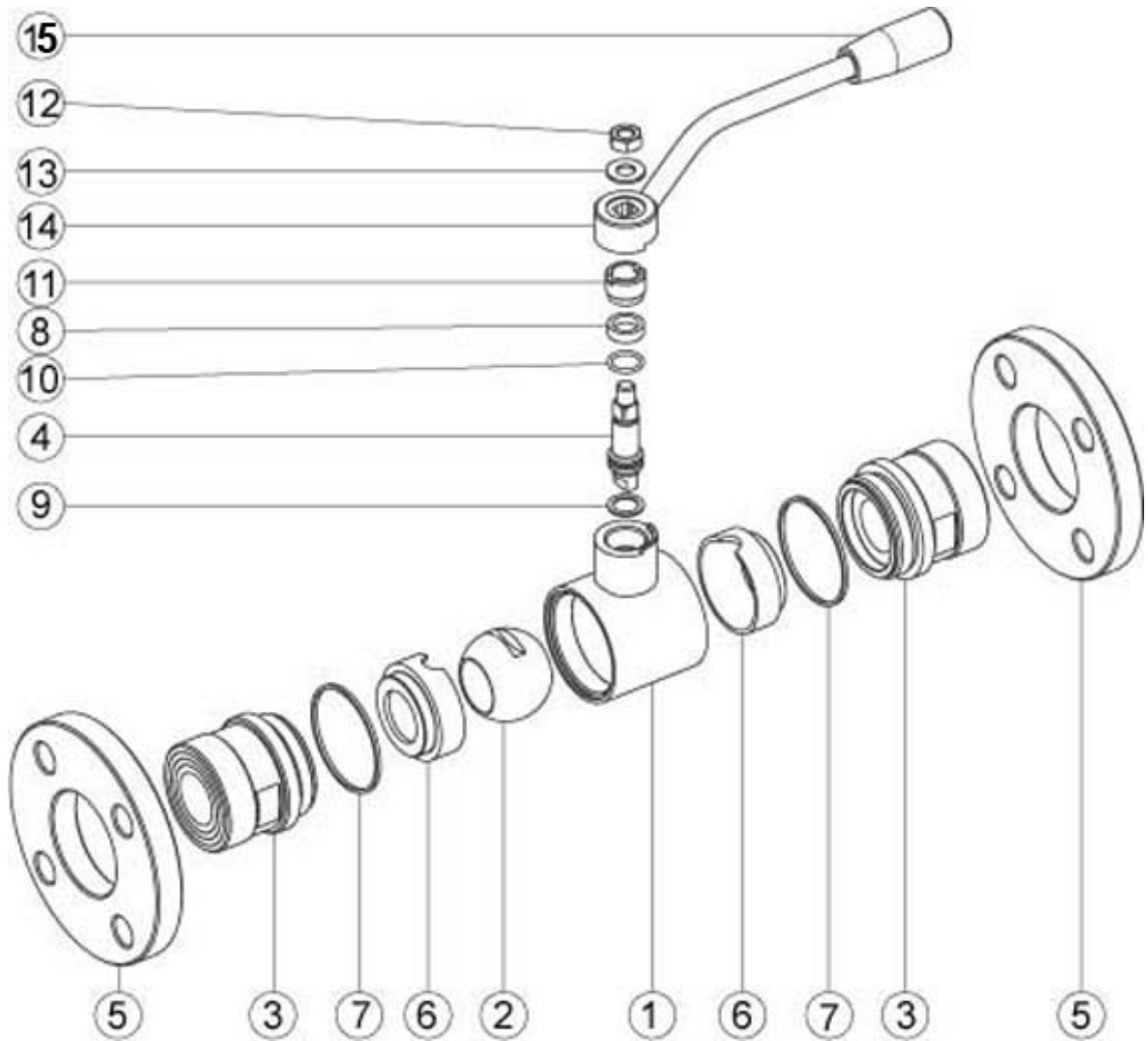
On request

Antistatic device ATEX (Directive 94/9/EC)

- Seals made of:
 P.T.F.E. with glass
 P.T.F.E. with carbographe
 High-molecular weight polyethylene



EN 1759-1 CLASS 150 (exANSI 150)	DN	L	C	H	D	B	R	A	n° x F	KG	CODE AISI 316L
1/2"	15	115	125	80	88,9	9,5	35	60,6	4x16	-	130155 61410
3/4"	20	120	170	90	98,4	11,1	42	69,8	4x16	-	130155 62010
1"	25	125	170	105	108	12,7	51	79,4	4x16	-	130155 62610
1" 1/4	32	130	170	115	117,5	14,3	63	88,9	4x16	-	130155 63010
1" 1/2	40	140	240	125	127	15,9	75	98,4	4x16	-	130155 63410
2"	50	150	240	135	152,4	17,4	89	120,6	4x19	-	130155 63810
2" 1/2	65	170	260	150	177,8	20,6	110	139,7	4x19	-	130155 64410
3"	80	180	300	165	190,5	22,2	120	152,4	4x19	-	130155 64810
4"	100	190	330	180	228,6	22,2	140	190,5	8x19	-	130155 65410



POS.	DENOMINATION	PCS	MAT.
1	Body	1	AISI 304L - 316L
2	Ball	1	AISI 304L - 316L
3	Sleeves	2	AISI 304L - 316L
4	Stem	1	AISI 304L - 316L
5	Flanges	2	AISI 304L - 316L - Aq
6	Ball seals	2	PTFE
7	Sleeve seals	2	PTFE
8	Stem seal	1	PTFE
9	Stem seal	1	PTFE
10	Stem OR-seal	1	FKM
11	Register ring	1	AISI 304L (303)
12	Nut	1	AISI 304L
13	Washer	1	AISI 304L
14	Lever	1	AISI 304L
15	Handle	1	Resina

