

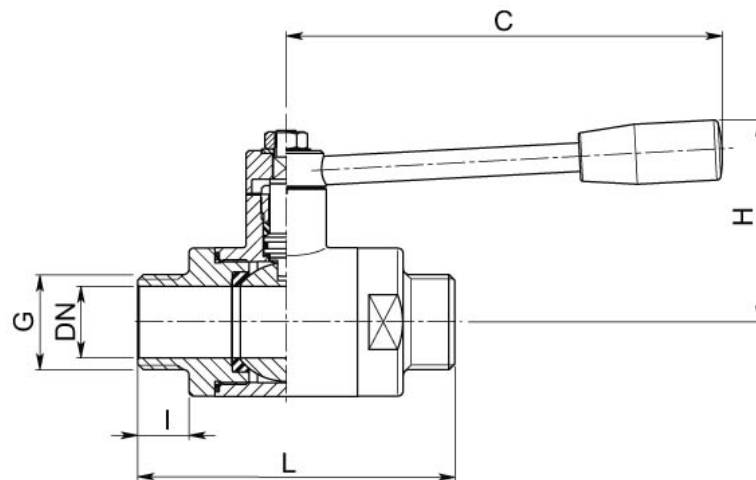


## 100117

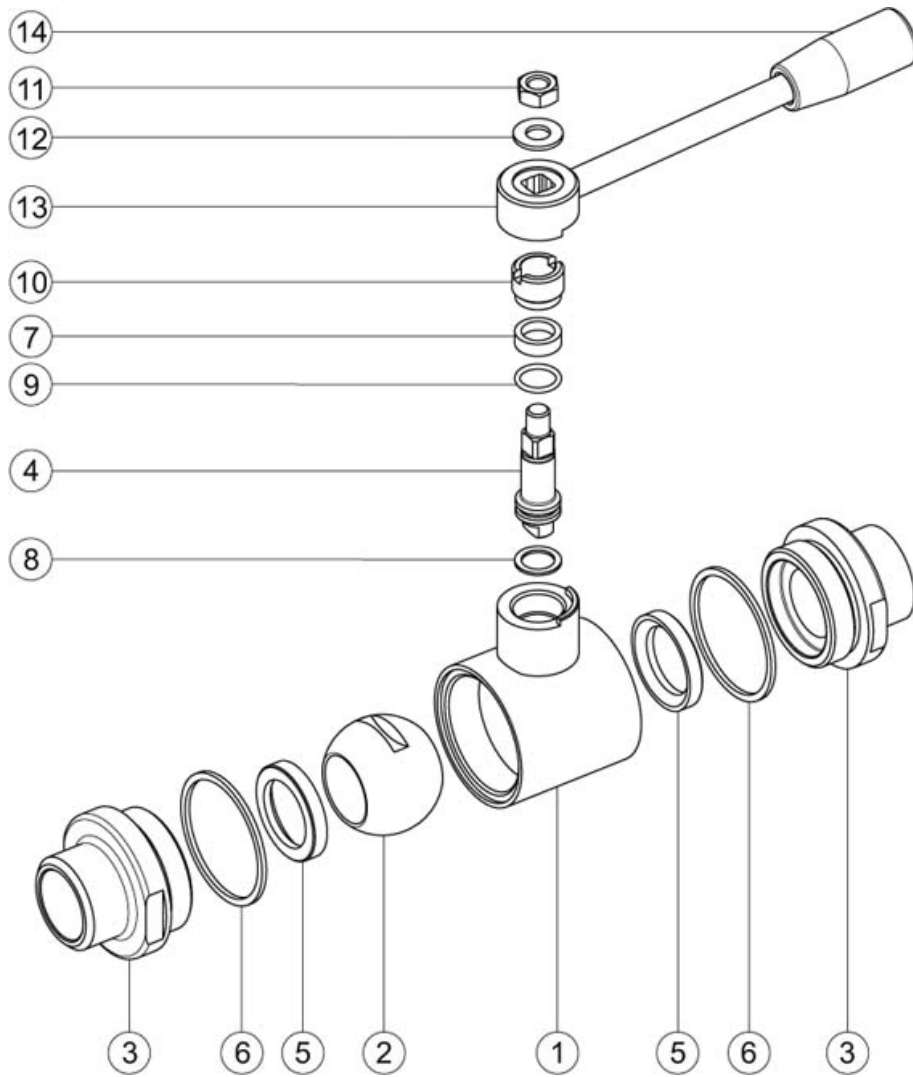
Two-way ball valve  
 Drive: Inox lever  
 Connection: ISO 228 male/male thread  
 Flow: full  
 Material: Aisi 304 - 316  
 Measure: from 1/4" to 4"  
 Seals: virgin P.T.F.E.  
 Operating temperature: -20°C +160°C  
 Outer finish: polished

### On request

- ISO 7 thread **Art.100102**
- NPT thread **Art.100104**
- Seals made of:  
 P.T.F.E. with glass  
 P.T.F.E. with carbograpite  
 High-molecular weight polyethylene



G	DN	L	I	C	H	PN	KG	304	CODE AISI 316L
1/4"	9	76	13	110	50	64	-	100117 40410	100117 60410
3/8"	10	80	13	110	50	64	-	100117 40810	100117 60810
1/2"	15	90	15	110	55	64	-	100117 41410	100117 61410
3/4"	20	98	17	110	60	64	-	100117 42010	100117 62010
1"	25	104	19	160	65	40	-	100117 42610	100117 62610
1"1/4	32	114	19	160	70	40	-	100117 43010	100117 63010
1"1/2	40	128	20	190	80	40	-	100117 43410	100117 63410
2"	50	146	20	190	90	25	-	100117 43810	100117 63810
2"1/2	65	162	25	235	110	25	-	100117 44410	100117 64410
3"	80	190	24	285	130	25	-	100117 44810	10011764810
4"	100	208	26	310	150	25	-	100117 45410	100117 65410



POS.	DENOMINATION	PCS	MAT.
1	Body	1	AISI 304L - 316L
2	Ball	1	AISI 304L - 316L
3	Sleeves	2	AISI 304L - 316L
4	Stem	1	AISI 304L - 316L
5	Ball seals	2	PTFE
6	Sleeve seals	2	PTFE
7	Stem seal	1	PTFE
8	Stem seal	1	PTFE
9	Stem OR-seal	1	FKM
10	Register ring	1	AISI 304L (303)
11	Nut	1	AISI 304L
12	Washer	1	AISI 304L
13	Lever	1	AISI 304L
14	Handle	1	Resina

