



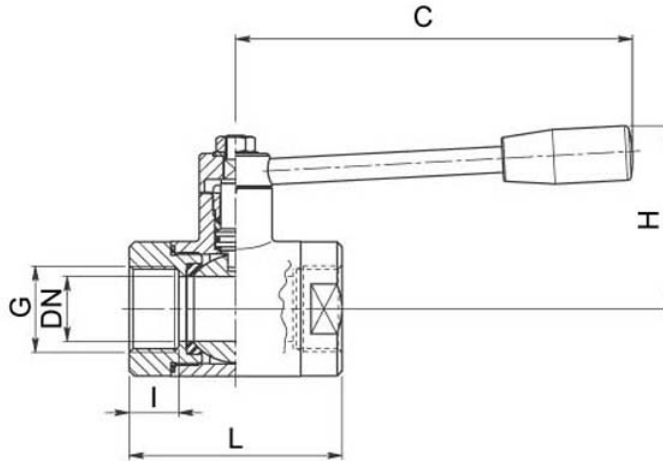
100101

Two-way ball valve
 Drive: Inox lever
 Connection: ISO 228 female/female thread
 Flow: full
 Material: Aisi 304 - 316
 Measure: from 1/4" to 4"
 Seals: virgin P.T.F.E.
 Operating temperature: -20°C +160°C
 Outer finish: polished

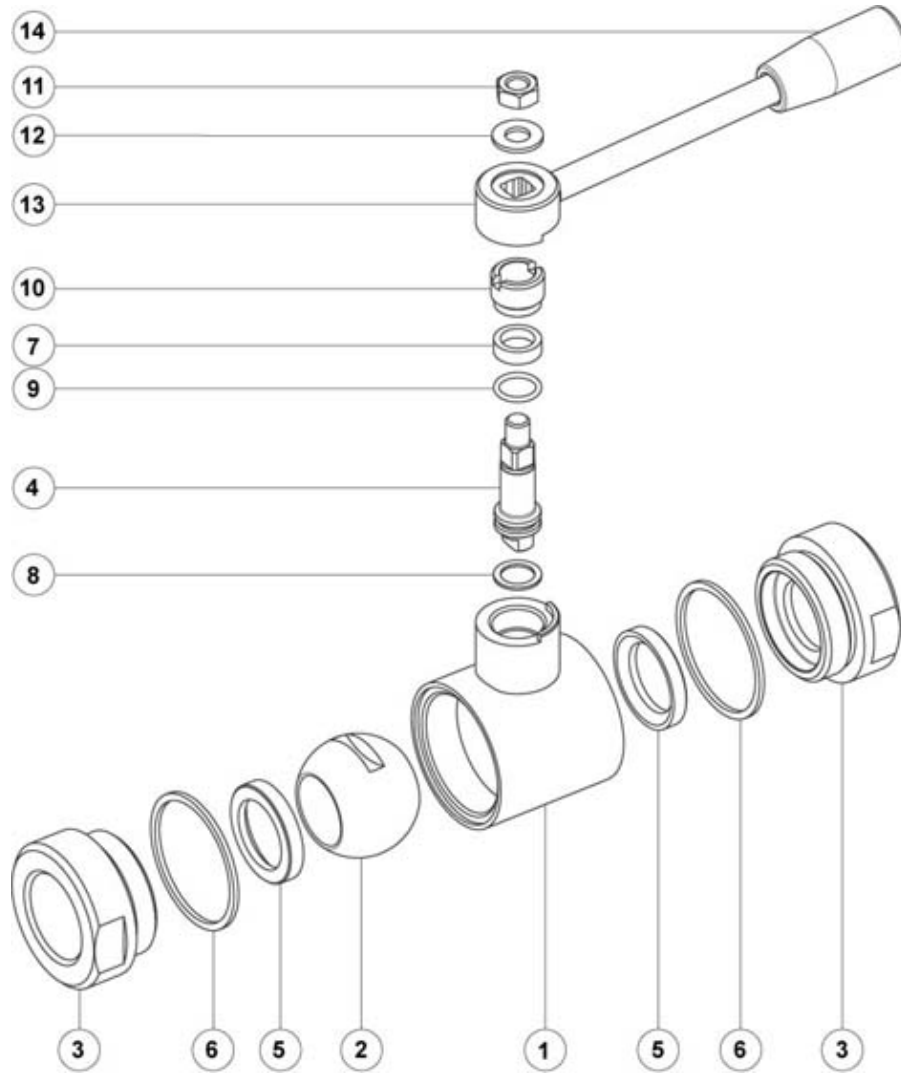
On request

Antistatic device ATEX (Directive 94/9/EC)

- ISO 7 thread **Art.100102**
- NPT thread
- Seals made of:
 P.T.F.E. with glass
 P.T.F.E. with carbographe
 High-molecular weight polyethylene



G (ISO 228)	DN	L	I	C	H	PN	Kg	CODE AISI 304L	CODE AISI 316L
1/4"	9	52	13	110	50	64	0,34	100101 40410	100101 60410
3/8"	10	52	13	110	50	64	0,32	100101 40810	100101 60810
1/2"	15	62	15	110	55	64	0,44	100101 41410	100101 61410
3/4"	20	72	17	110	60	64	0,62	100101 42010	100101 62010
1"	25	82	19	160	65	40	1,10	100101 42610	100101 62610
1*1/4	32	92	19	160	70	40	1,35	100101 43010	100101 63010
1*1/2	40	104	20	190	80	40	2,33	100101 43410	100101 63410
2"	50	116	20	190	90	25	3,42	100101 43810	100101 63810
2*1/2	65	128	20	220	110	25	5,75	100101 44410	100101 64410
3"	80	150	24	285	130	25	8,98	100101 44810	100101 64810
4"	100	178	26	310	150	25	15,50	100101 45410	100101 65410



POS.	DENOMINATION	PCS	MAT.
1	Body	1	AISI 304L - 316L
2	Ball	1	AISI 304L - 316L
3	Sleeves	2	AISI 304L - 316L
4	Stem	1	AISI 304L - 316L
5	Ball seals	2	PTFE
6	Sleeve seals	2	PTFE
7	Stem seal	1	PTFE
8	Stem seal	1	PTFE
9	Stem OR-seal	1	FKM
10	Register ring	1	AISI 304L (303)
11	Nut	1	AISI 304L
12	Washer	1	AISI 304L
13	Lever	1	AISI 304L
14	Handle	1	Resina

