



- 4 meter detector / detection distance
- 36 photo diodes
- 32ms Fast response speed
- Audible warning system
- Low power consumption
- Easy installation
- Long LED light lifetime
- IP54 Protection Class

ATEK 987 series door security detectors can read from 4 meters distance. With 36 built-in photodiodes with fast response speed, they provide fast security. There is external power unit working with 220VAC power supply.

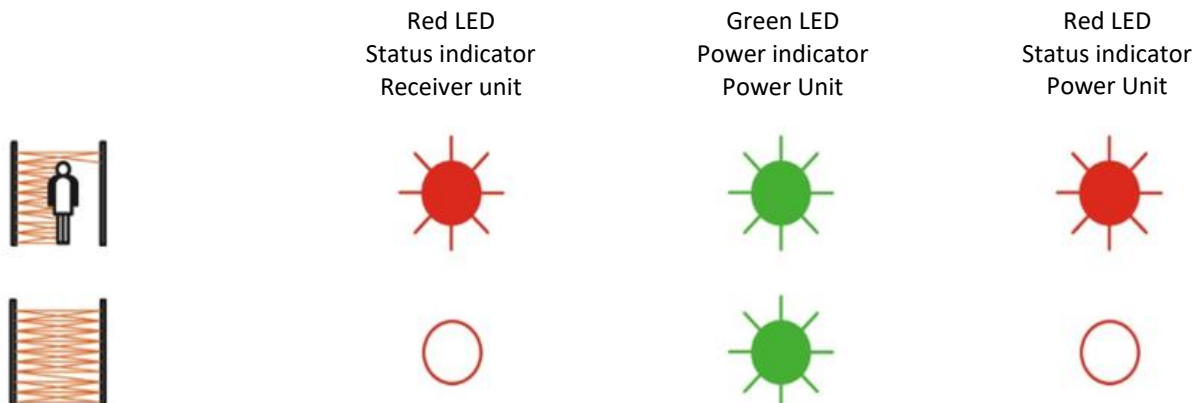
The most important feature of the product is the audible alert notification, so that if the TX and RX units do not see each other within 15 seconds during the installation, they will make audible notification. Due to distinctive body designs, they can be used in door and security applications.

Due to high mounting tolerance, the TX, RX units can be easily connected to each other.

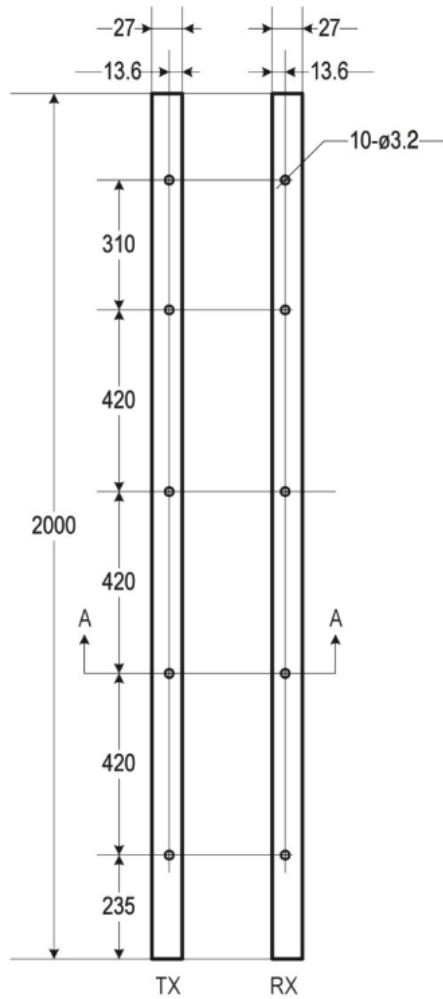
### Technical Specifications

<b>Response Time</b>	65ms relay output 41ms transistor output
<b>Number of Infra Red Diodes</b>	36 units
<b>Beam Scanning</b>	174-106 Beam
<b>Detection height</b>	20 – 1678 mm
<b>Infra Red Diode Distance</b>	47.5mm
<b>Power consumption</b>	4W or 100mA @ 24VDC
<b>Operating Temperature</b>	-20°C +65°C
<b>Mounting Tolerance</b>	Up / Down: ± 15mm / 7°    Forward / Reverse: ± 3mm / 5°
<b>Mechanical Measurements</b>	2000mm x 27 mm x 11 mm
<b>Infra Red Led Light Life</b>	≤100000 Lux
<b>Measuring Distance</b>	4 meter
<b>Protection Class</b>	IP54 for TX and RX units, IP31 for power unit
<b>Audible Warning</b>	Buzzer integrated in RX unit

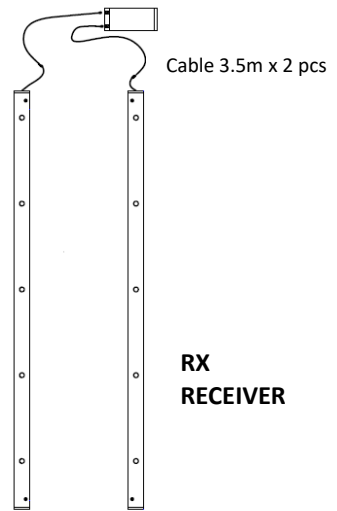
### LED STATUS BOARD



## Mechanical Measurements

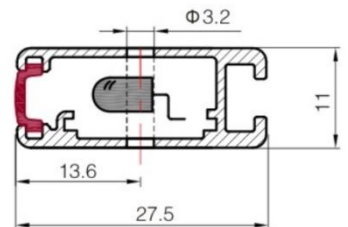
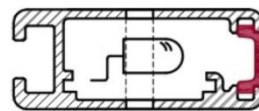
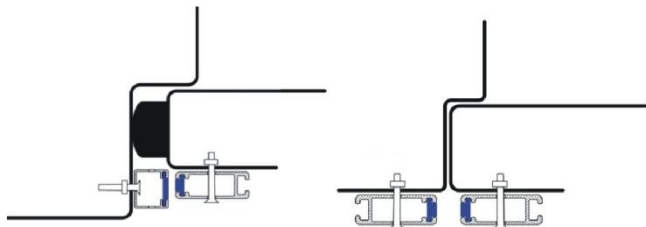


### POWER UNIT



TX  
SOURCE

RX  
RECEIVER



## Order Details

### Model No

9 8 7 - Q - 5 1 - AC 220

### Mounting / Body Type

Installed from the holes on the body located at 420mm intervals

### Cable Length

1: 3,5 meter cable x 2

### Number of Diodes

36 : 36 photodiodes

### Supply

AC 220: 220VOLT AC power supply



## Atek Sensor Technology A.S.



Tuzla Kimya Sanayicileri Org. San. Bolg. Melek Aras Bulvari, No:67 34956 Tuzla - Istanbul / TURKEY  
Tel: +90 216 399 44 04 Fax: +90 216 399 44 02  
[www.ateksensor.com](http://www.ateksensor.com) [info@ateksensor.com](mailto:info@ateksensor.com)