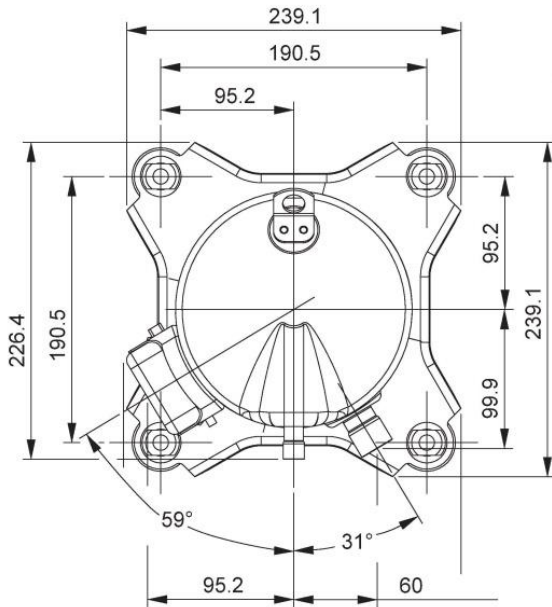


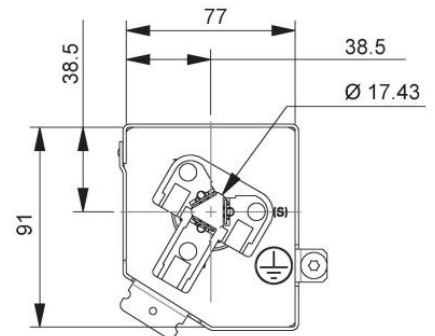
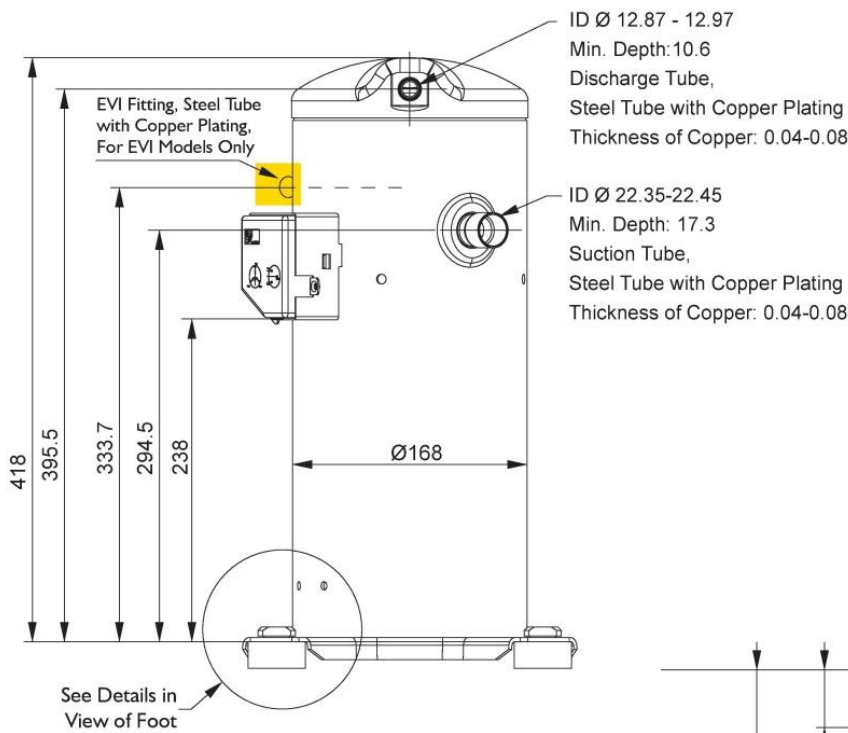
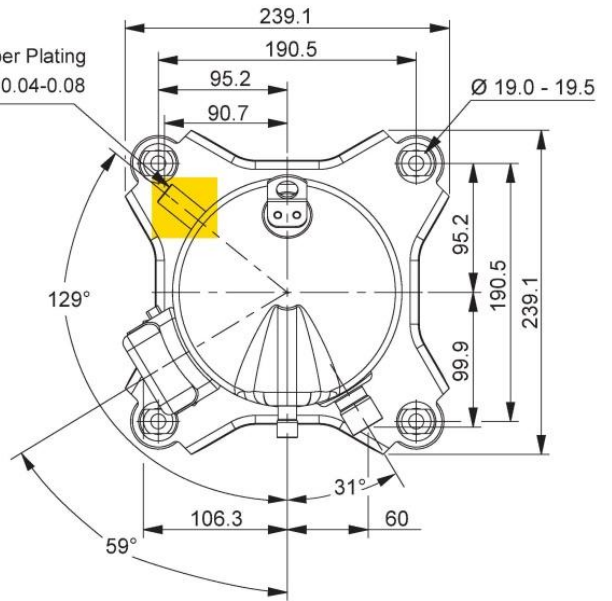


**W/O EVI**

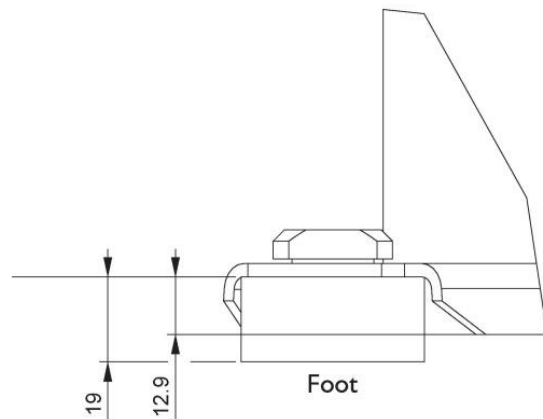


ID Ø 12.80 - 12.90  
 Depth: 9.8-10.0  
 EVI Fitting,  
 Steel Tube with Copper Plating  
 Thickness of Copper: 0.04-0.08

**W/ EVI**



**Wiring Diagram**



**Foot**