

TECHNICAL SPECIFICATION:

- All parts of fan should be properly assembled, no oil or dirt on the surface, no obvious distortion, mechanical damage and other defects.
- Fan rotation is flexible, no delay no operation sound, no scratch and other undesirable phenomena.
- The safety requirement of fan is performed according to GB12350-2009, the electrical strength is 1500V•min, and the insulation resistance is not less than 100M Ω at room temperature.
- Motor insulation class, F CLASS.
- Motor protection level, IP44, fan protection level, IP2X.
- The fan balance level is: 930± 10% r/min high G6. 3, vibration value is less than 5.4mm/s.
- MAER box.
- Built-in heat protector.



Product model	YSWF102L70P6-753N-630B
Product type	External rotor axial flow fan
Customer	乌克兰 (Ukraine)
Product number	MAER – 1606280
Certification	CE, CCC

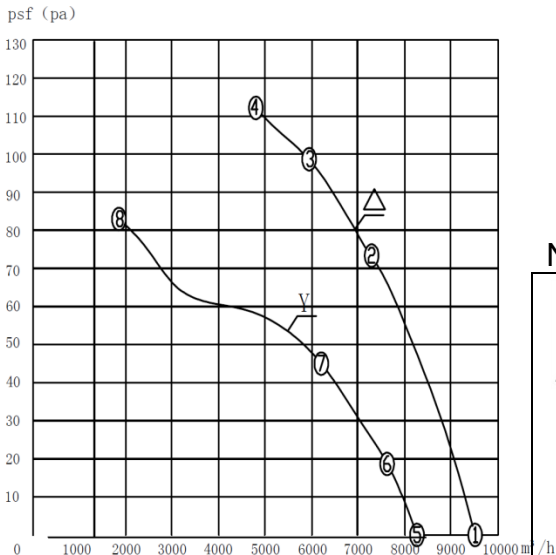
Condition of use:

- Voltage and frequency: Δ / Y, 3 ~ 380V + 5% (50 Hz)
- Qualification requirements: Terminal block, the recommended standard of lead wire is not less than 0.75mm².
- Installation position: vertical or upward.
- Ambient temperature: -40 ~ 60°C.

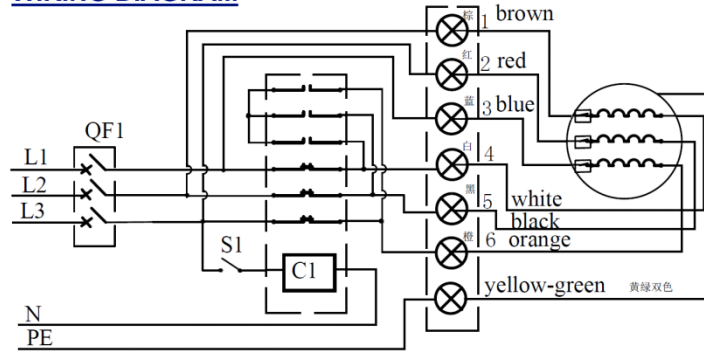
Performance parameters at key point:

Δ	psf (pa)	I (A)	P1 (W)	n (r/min)	Q (m ³ /h)	Note
①	0	1.16	373	947	9510	
②	72	1.22	459	931	7362	
③	97	1.22	485	925	6047	MAX EFF.
④	112	1.25	509	920	4777	IMAX
Y						
⑤	0	0.83	277	823	8260	
⑥	18	0.87	297	804	7640	
⑦	45	0.94	326	775	6206	MAX EFF.
⑧	83	1.13	397	693	1863	IMAX

PS: Fan working performance tested with MAER wall plate, and under standard atmospheric pressure at 20°C



WIRING DIAGRAM



QF1 – run control air switch, QF1 switched on.
C1 – Y/Δ operation control contactor, S1 disconnect, Δ connection;
S1 connected, Y connection.

Test data at free:

Connection	UAC (V)±5%	f (Hz)	P1 (W)±10%	I (A)±10%	n (r/min)±10%	Noise db(A)
Δ	3 ~380V	50	500	1.25	930	75
Y	3 ~380V	50	277	0.85	812	72

Nameplate:



YSWF102L70P4-753N-630 B 3~380V50Hz 20μF / 450V

Δ: 485W 1.22A 925r/min @ 97Pa

Y: 326W 0.94A 775r/min @ 45Pa

CL. F IP54 2018/07

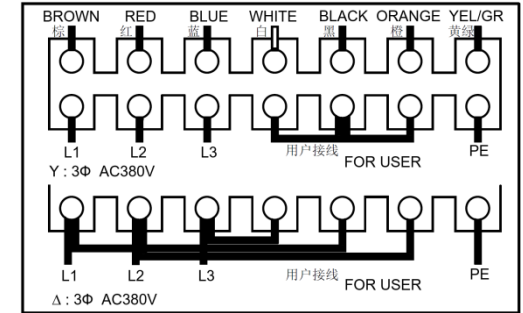
Tel: +380678807231, +380500679006

web: www.iceteco.com

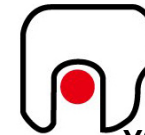
e-mail: iceteko@gmail.com



THE EXTERNAL WIRING DIAGRAM:



MARK



MAER AXIAL FAN MOTOR
MOTORS & FANS

MODEL: **YSWF102L70P4-753N-630 BLOWING**

6D-630-B

VOLTAGE: 380V / 50Hz

N.W/G.W. 16.3/18.9 kg

MEAS: 67.5x67.5x24 cm

CL. F WITH TERMINAL BOX



20180718X

		The signature	(date)(month)(year)	ZHEJIANG MAER FAN MOTOR CO., LTD.
state	Deliver before			Product Specification
	After the confirmation			
drawing				
audit				
approval				