

TECHNICAL SPECIFICATION:

- All parts of fan should be properly assembled, no oil or dirt on the surface, no obvious distortion, mechanical damage and other defects.
- Fan rotation is flexible, no delay no operation sound, no scratch and other undesirable phenomena.
- The safety requirement of fan is performed according to GB12350-2009, the electrical strength is 1500V•min, and the insulation resistance is not less than 100M Ω at room temperature.
- Motor insulation class, F CLASS.
- Motor protection level, IP44, fan protection level, IP2X.
- The fan balance level is: 1380± 10% r/min high G6. 3, vibration value is less than 5.4mm/s.
- MAER box.
- Built-in heat protector.

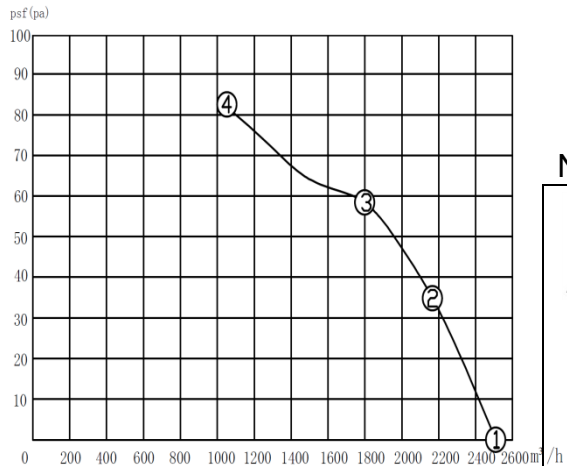
Test data at free:

Connection	UAC (V)±5%	f (Hz)	P1 (W)±10%	I (A)±10%	n (r/min)±10%	Noise db(A)
	1~220V	50	145	0.63	1380	63

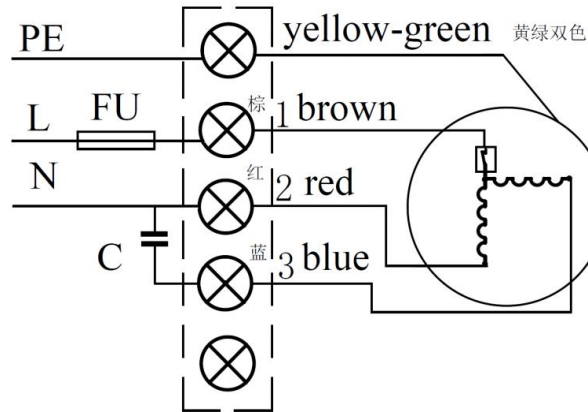
Performance parameters at key point:

	psf	I	P1	n	Q	Note
	(pa)	(A)	(W)	(r/min)	(m³/h)	
①	0	0.57	125	1407	2512	
②	34	0.60	133	1392	2183	
③	58	0.65	143	1371	1803	MAX EFF.
④	80	0.81	180	1266	1098	I MAX

PS: Fan working performance tested with MAER wall plate, and under standard atmospheric pressure at 20°C



WIRING DIAGRAM

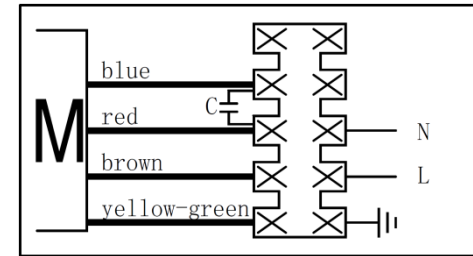


	Product model	YDWF74L34P4-422N-350B
	Product type	External rotor axial flow fan
	Customer	乌克兰 (Ukraine)
	Product number	MAER - 1503053
	Certification	CE, CCC

Condition of use:

- Voltage and frequency: 1 ~ 220V + 5% (50 Hz)
- Qualification requirements: Terminal block, the recommended standard of lead wire is not less than 0.5mm².
- Installation position: vertical or upward.
- Ambient temperature: -40 ~ 75°C.

THE EXTERNAL WIRING DIAGRAM:



MARK

MAER AXIAL FAN MOTOR
MOTORS & FANS

MODEL: YDWF74L34P4-422N-350 BLOWING
4E-350-B

VOLTAGE: 220V / 50Hz

N.W/G.W. 5.1/5.9 kg

MEAS: 40x40x20 cm

CL. F WITH TERMINAL BOX

20180509X

Nameplate:

YDWF74L34P4-422N-350 B 1~220V50Hz 4μF / 450V
143W 0.65A 1371r/min @ 58Pa
CL. F IP54 2018/05

Tel: +380678807231, +380500679006
web: www.iceteco.com
e-mail: iceteko@gmail.com

		The signature	(date)(month)(year)	ZHEJIANG MAER FAN MOTOR CO., LTD.
state	Deliver before After the confirmat ion			
drawing				Product Specification
audit				
approval				