

TECHNICAL SPECIFICATION:

1. All parts of fan should be properly assembled, no oil or dirt on the surface, no obvious distortion, mechanical damage and other defects.
2. Fan rotation is flexible, no delay no operation sound, no scratch and other undesirable phenomena.
3. The safety requirement of fan is performed according to GB12350-2009, the electrical strength is 1500V•min, and the insulation resistance is not less than 100M Ω at room temperature.
4. Motor insulation class, F CLASS.
5. Motor protection level, IP44, fan protection level, IP2X.
6. The fan balance level is: $1380 \pm 10\%$ r/min high G6. 3, vibration value is less than 5.4mm/s.
7. MAER box.
8. Built-in heat protector.

Test data at free:

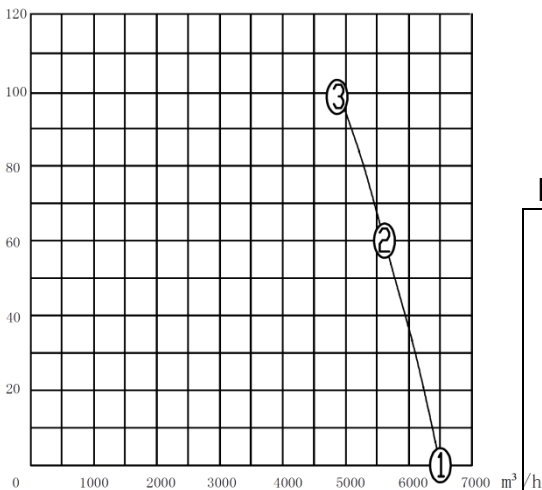
Connection	UAC (V)±5%	f (Hz)	P1 (W)±10%	I (A)±10%	n (r/min)±10%	Noise db(A)
	1~220V	50	390	1.65	1390	70

Performance parameters at key point:

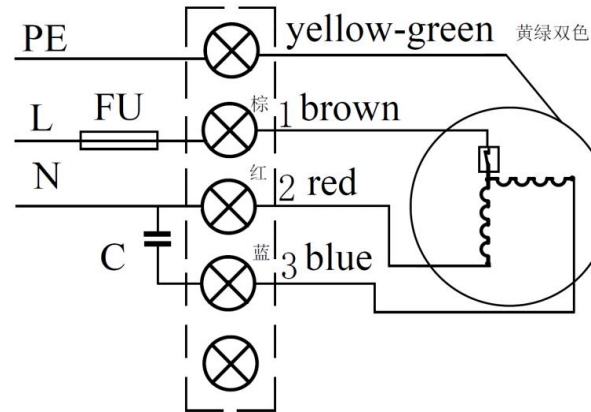
	psf	I	P1	n	Q	Note
	(pa)	(A)	(W)	(r/min)	(m³/h)	
①	0	1.56	342	1380	6542	
②	60	1.79	394	1345	5609	
③	98	1.92	424	1323	4923	MAX EFF.

PS: Fan working performance tested with MAER wall plate, and under standard atmospheric pressure at 20°C

psf (pa)



WIRING DIAGRAM



Nameplate:



YDWF102L35P4-570N-500 B 1~220V50Hz 10μF / 450V
 424W 1.92A 1323r/min @ 98Pa
 CL. F IP54 2018/07
 Tel:+380678807231, +380500679006
 web:www.iceteco.com
 e-mail: iceteko@gmail.com

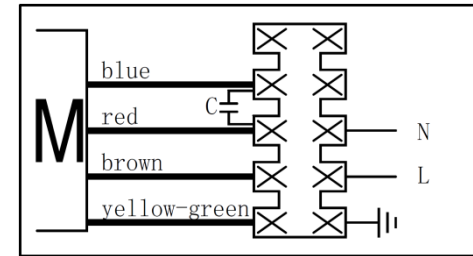


	Product model	YDWF102L35P4-570N-500B
	Product type	External rotor axial flow fan
	Customer	乌克兰 (Ukraine)
	Product number	MAER – 1803210
	Certification	CE, CCC

Condition of use:

- 1) Voltage and frequency: 1 ~ 220V + 5% (50 Hz)
- 2) Qualification requirements: Terminal block, the recommended standard of lead wire is not less than 0.75mm².
- 3) Installation position: vertical or upward.
- 4) Ambient temperature: -40 ~ 80°C.

THE EXTERNAL WIRING DIAGRAM:



MARK

MAER AXIAL FAN MOTOR
MOTORS & FANS

**MODEL: YDWF102L35P4-570N-500 BLOWING
4E-500-B**

VOLTAGE: 220V / 50Hz

N.W/G.W. 9.3/10.8 kg

MEAS: 55x55x21 cm

CL. F WITH TERMINAL BOX

20180509X

		The signature	(date)(month)(year)	ZHEJIANG MAER FAN MOTOR CO., LTD.
state	Deliver before After the confirmat ion			
drawing				Product Specification
audit				
approval				