

TECHNICAL SPECIFICATION:

1. All parts of fan should be properly assembled, no oil or dirt on the surface, no obvious distortion, mechanical damage and other defects.
2. Fan rotation is flexible, no delay no operation sound, no scratch and other undesirable phenomena.
3. The safety requirement of fan is performed according to GB12350-2009, the electrical strength is 1500V•min, and the insulation resistance is not less than 100M Ω at room temperature.
4. Motor insulation class, F CLASS.
5. Motor protection level, IP44, fan protection level, IP2X.
6. The fan balance level is: 1400± 10% r/min high G6. 3, vibration value is less than 5.4mm/s.
7. MAER box.
8. Built-in heat protector.

Test data at free:

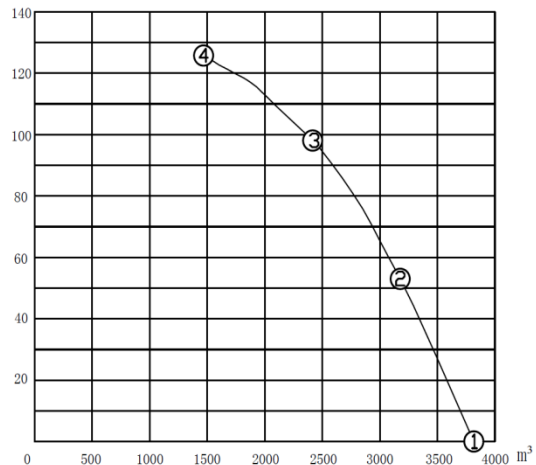
Connection	UAC (V)±5%	f (Hz)	P1 (W)±10%	I (A)±10%	n (r/min)±10%	Noise db(A)
	1~220V	50	185	0.85	1400	67

Performance parameters at key point:

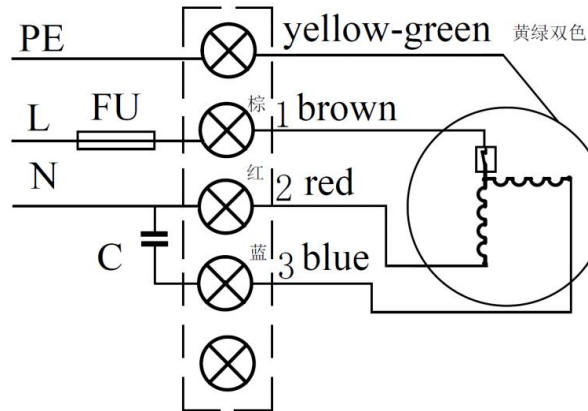
	psf	I	P1	n	Q	Note
	(pa)	(A)	(W)	(r/min)	(m³/h)	
①	0	0.77	167	1413	3727	
②	53	0.87	191	1386	3207	
③	99	1.00	219	1352	2417	MAX EFF.
④	123	1.05	231	1333	1590	I MAX

PS: Fan working performance tested with MAER wall plate, and under standard atmospheric pressure at 20°C

psf (pa)



WIRING DIAGRAM



Nameplate:



YDWF74L47P4-470N-400 B 1~220V50Hz 6μF / 450V
 219W 1.00A 1352r/min @ 99Pa
 CL. F IP54 2018/05
 Tel:+380678807231, +380500679006
 web:www.iceteco.com
 e-mail: iceteko@gmail.com

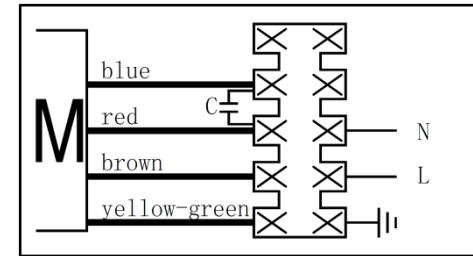


	Product model	YDWF74L47P4-470N-400B
	Product type	External rotor axial flow fan
	Customer	乌克兰 (Ukraine)
	Product number	MAER – 150301D
	Certification	CE, CCC

Condition of use:

- 1) Voltage and frequency: 1 ~ 220V + 5% (50 Hz)
- 2) Qualification requirements: Terminal block, the recommended standard of lead wire is not less than 0.5mm².
- 3) Installation position: vertical or upward.
- 4) Ambient temperature: -40 ~ 75°C.

THE EXTERNAL WIRING DIAGRAM:



MARK

MAER AXIAL FAN MOTOR
 MOTORS & FANS
MODEL: YDWF74L47P4-470N-400 BLOWING
4E-400-B
 VOLTAGE: 220V / 50Hz
 N.W/G.W. 6.0/7.1 kg
 MEAS: 44x44x20 cm
 CL. F WITH TERMINAL BOX
 20180509X

state	Deliver before	The signature	(date)(month)(year)	ZHEJIANG MAER FAN MOTOR CO., LTD.
	After the confirmation			
drawing				Product Specification
audit				
approval				