

### TECHNICAL SPECIFICATION:

1. All parts of fan should be properly assembled, no oil or dirt on the surface, no obvious distortion, mechanical damage and other defects.
2. Fan rotation is flexible, no delay no operation sound, no scratch and other undesirable phenomena.
3. The safety requirement of fan is performed according to GB12350-2009, the electrical strength is 1500V•min, and the insulation resistance is not less than 100M Ω at room temperature.
4. Motor insulation class, F CLASS.
5. Motor protection level, IP44, fan protection level, IP2X.
6. The fan balance level is:  $2618 \pm 10\%$  r/min high G6. 3, vibration value is less than 5.4mm/s.
7. MAER box.
8. Built-in heat protector.

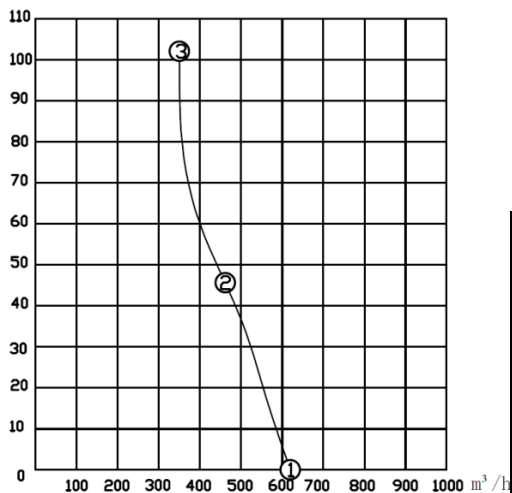
Test data at free:

Connection	UAC (V)±5%	f (Hz)	P1 (W)±10%	I (A)±10%	n (r/min)±10%	Noise db(A)
	1~220V	50	58	0.25	2618	66

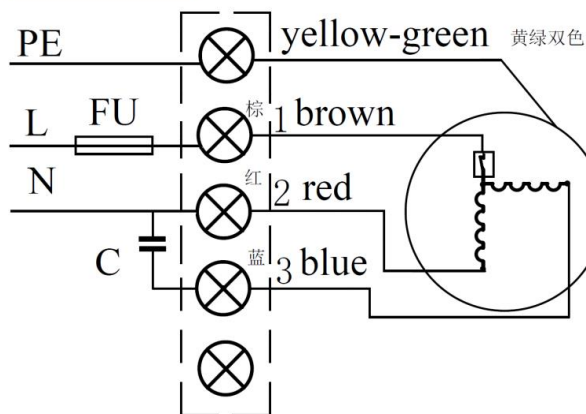
### Performance parameters at key point:

	psf	I	P1	n	Q	Note
	(pa)	(A)	(W)	(r/min)	(m³/h)	
①	0	0.24	55	2679	619	
②	46	0.25	58	2618	462	
③	102	0.26	59	2589	352	MAX EFF.

PS: Fan working performance tested with MAER wall plate, and under standard atmospheric pressure at 20°C  
psf (pa)



### WIRING DIAGRAM



### Nameplate:



YDWF68L15P2-280P-200 B 1~220V50Hz 2μF / 450V  
 59W 0.26A 2589r/min @ 102Pa  
 CL. F IP44 2018/05  
 Tel:+380678807231, +380500679006  
 web:[www.iceteco.com](http://www.iceteco.com)  
 e-mail: [iceteko@gmail.com](mailto:iceteko@gmail.com)

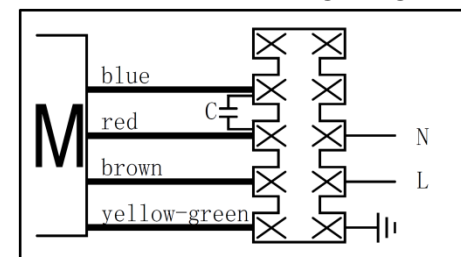


	Product model	<b>YDWF67L15P2-280P-200B</b>
	Product type	External rotor axial flow fan
	Customer	乌克兰 (Ukraine)
	Product number	MAER - 1708041
	Certification	CE, CCC

### Condition of use:

- 1) Voltage and frequency: 1 ~ 220V + 5% (50 Hz)
- 2) Qualification requirements: Terminal block, the recommended standard of lead wire is not less than 0.5mm².
- 3) Installation position: vertical or upward.
- 4) Ambient temperature: -40 ~ 80°C.

### THE EXTERNAL WIRING DIAGRAM:



### MARK

**MAER** AXIAL FAN MOTOR  
MOTORS & FANS

MODEL: **YDWF68L15P2-280P-200 BLOWING**  
**2E-200-B**

VOLTAGE: 220V / 50Hz

N.W/G.W. 2.3/2.5 kg

MEAS: 25X25X14 cm

CL. F WITH TERMINAL BOX

20180509X

		The signature	(date)(month)(year)	ZHEJIANG MAER FAN MOTOR CO., LTD.
state	Deliver before After the confirmat ion			
drawing				Product Specification
audit				
approval				