

TECHNICAL SPECIFICATION:

1. All parts of fan should be properly assembled, no oil or dirt on the surface, no obvious distortion, mechanical damage and other defects.
2. Fan rotation is flexible, no delay no operation sound, no scratch and other undesirable phenomena.
3. The safety requirement of fan is performed according to GB12350-2009, the electrical strength is 1500V•min, and the insulation resistance is not less than 100M Ω at room temperature.
4. Motor insulation class, F CLASS.
5. Motor protection level, IP44, fan protection level, IP2X.
6. The fan balance level is: 1400± 10% r/min high G6. 3, vibration value is less than 5.4mm/s.
7. MAER box.
8. Built-in heat protector.

	Product model	YSWF127L65P4-753N-630S
	Product type	External rotor axial flow fan
	Customer	乌克兰 (Ukraine)
	Product number	MAER – 150301D
	Certification	CE, CCC

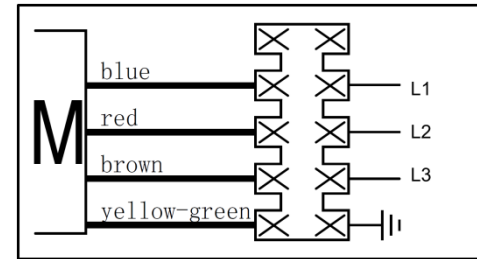
Condition of use:

- 1) Voltage and frequency: 3 ~ 380V + 5% (50 Hz)
- 2) Qualification requirements: Terminal block, the recommended standard of lead wire is not less than 0,75mm².
- 3) Installation position: vertical or upward.
- 4) Ambient temperature: -40 ~ 60°C.

Test data at free:

Connection	UAC (V)±5%	f (Hz)	P1 (W)±10%	I (A)±10%	n (r/min)±10%	Noise db(A)
	3 ~380V	50	1600	3.3	1400	78

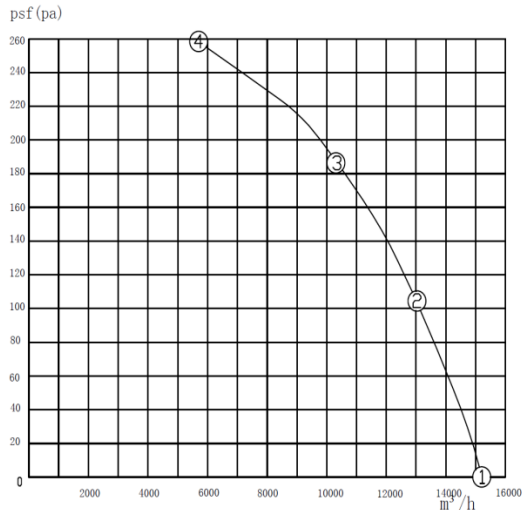
THE EXTERNAL WIRING DIAGRAM:



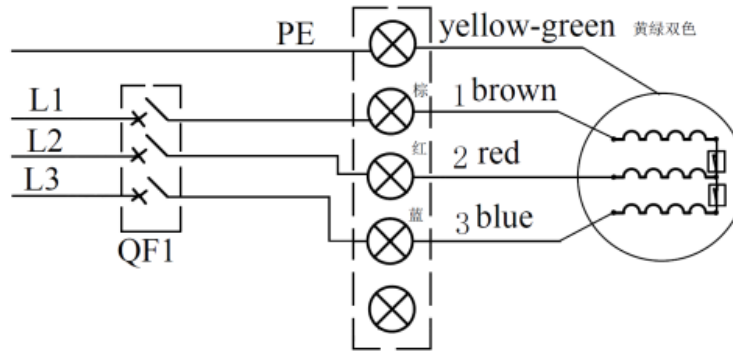
Performance parameters at key point:

	psf	I	P1	n	Q	Note
	(pa)	(A)	(W)	(r/min)	(m ³ /h)	
①	0	2.99	1320	1420	15151	
②	104	3.17	1499	1405	12866	
③	188	3.33	1646	1392	10334	MAX EFF.
④	258	3.48	1794	1380	5709	I MAX

PS: Fan working performance tested with MAER wall plate, and under standard atmospheric pressure at 20°C



WIRING DIAGRAM



MARK

MAER AXIAL FAN MOTOR
MOTORS & FANS

MODEL: **YSWF127L65P4-753N-630 SUCTION**
4D-630-S-127L65

VOLTAGE: 380V / 50Hz

N.W/G.W. 16.3/18.9 kg

MEAS: 67.5x67.5x24 cm

CL. F WITH TERMINAL BOX

20180509X

Nameplate:

YSWF127L65P4-753N-630 S 3~380V50Hz 20μF / 450V

164W 3.33A 1392r/min @ 188Pa

CL. F IP54 2018/07

Tel:+380678807231, +380500679006

web:www.iceteco.com

e-mail: iceteko@gmail.com

АЙСТЕКО
РЕШЕНИЕ ХОЛОВА
WWW.ICETECO.COM

state	Deliver before	The signature	(date)(month)(year)	ZHEJIANG MAER FAN MOTOR CO., LTD.
	After the confirmation			
drawing				Product Specification
audit				
approval				