

TECHNICAL SPECIFICATION:

- All parts of fan should be properly assembled, no oil or dirt on the surface, no obvious distortion, mechanical damage and other defects.
- Fan rotation is flexible, no delay no operation sound, no scratch and other undesirable phenomena.
- The safety requirement of fan is performed according to GB12350-2009, the electrical strength is 1800V•min, and the insulation resistance is not less than 100M Ω at room temperature.
- Motor insulation class, F CLASS.
- Motor protection level, IP44, fan protection level, IP2X.
- The fan balance level is: $1390 \pm 10\%$ r/min high G6. 3, vibration value is less than 5.4mm/s.
- MAER box.
- Built-in heat protector.

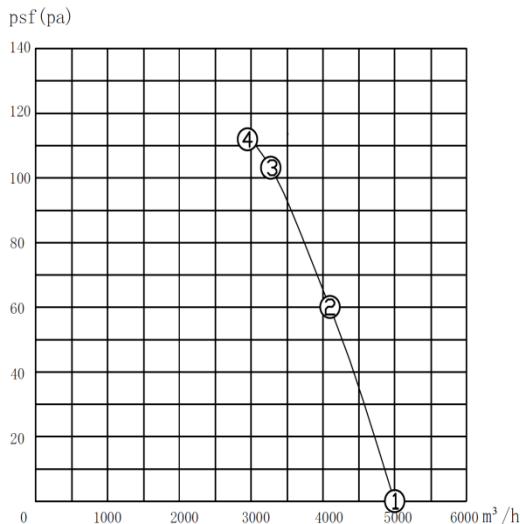
Test data at free:

Connection	UAC (V)±5%	f (Hz)	P1 (W)±10%	I (A)±10%	n (r/min)±10%	Noise db(A)
	3~380V	50	463	1.08	1412	73

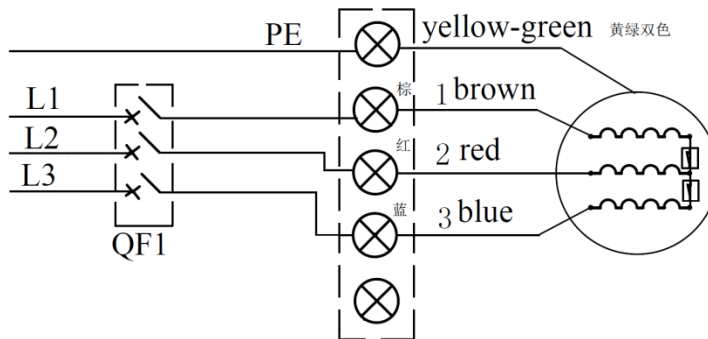
Performance parameters at key point:

	psf	I	P1	n	Q	Note
	(pa)	(A)	(W)	(r/min)	(m³/h)	
①	0	1.04	425	1421	6597	
②	57	1.08	463	1412	5749	
③	102	1.11	498	1404	4794	MAX EFF.
④	213	1.29	672	1360	1507	I MAX

PS: Fan working performance tested with MAER wall plate, and under standard atmospheric pressure at 20°C



WIRING DIAGRAM

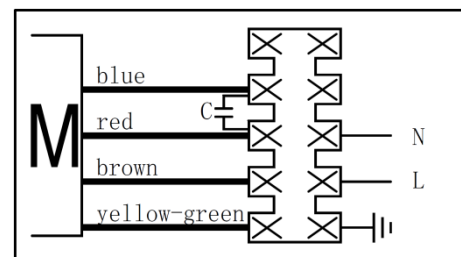


	Product model	YSWF102L45P4-522N-450S
	Product type	External rotor axial flow fan
	Customer	乌克兰 (Ukraine)
	Product number	MAER – 150301D
	Certification	CE, CCC

Condition of use:

- Voltage and frequency: 3 ~ 380V + 5% (50 Hz)
- Qualification requirements: Terminal block, the recommended standard of lead wire is not less than 0.75mm².
- Installation position: vertical or upward.
- Ambient temperature: -40 ~ 80°C.

THE EXTERNAL WIRING DIAGRAM:



MARK

MAER AXIAL FAN MOTOR
MOTORS & FANS

MODEL: **YSWF102L45P4-522N-450 SUCTION**
4D-450-S-102L45

VOLTAGE: 380V / 50Hz

N.W/G.W. 7.3/8.7 kg

MEAS: 50x50x22 cm

CL. F WITH TERMINAL BOX

20180716X

Nameplate:

YSWF102L45P4-522N-450 S 3~380V50Hz 6μF / 450V

498W 1.11A 1404r/min @ 102Pa

CL. F IP54 2018/07

Tel: +380678807231, +380500679006

web: www.iceteco.com

e-mail: iceteko@gmail.com

state	Deliver before	The signature	(date)(month)(year)	ZHEJIANG MAER FAN MOTOR CO., LTD.
	After the confirmation			
drawing				Product Specification
audit				
approval				