

TECHNICAL SPECIFICATION:

- All parts of fan should be properly assembled, no oil or dirt on the surface, no obvious distortion, mechanical damage and other defects.
- Fan rotation is flexible, no delay no operation sound, no scratch and other undesirable phenomena.
- The safety requirement of fan is performed according to GB12350-2009, the electrical strength is 1800V•min, and the insulation resistance is not less than 100M Ω at room temperature.
- Motor insulation class, F CLASS.
- Motor protection level, IP44, fan protection level, IP2X.
- The fan balance level is: $925 \pm 10\%$ r/min high G6. 3, vibration value is less than 5.4mm/s.
- MAER box.
- Built-in heat protector.



Product model	YSWF127L80P6-1075N-900S
Product type	External rotor axial flow fan
Customer	乌克兰 (Ukraine)
Product number	MAER – 1606280
Certification	CE, CCC

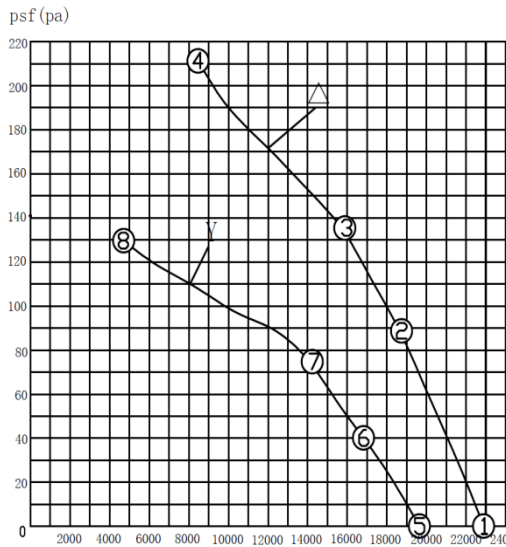
Condition of use:

- Voltage and frequency: $\Delta / Y, 3 \sim 380V + 5\%$ (50 Hz)
- Qualification requirements: Terminal block, the recommended standard of lead wire is not less than 1.0mm².
- Installation position: vertical or upward.
- Ambient temperature: -40 ~ 60°C.

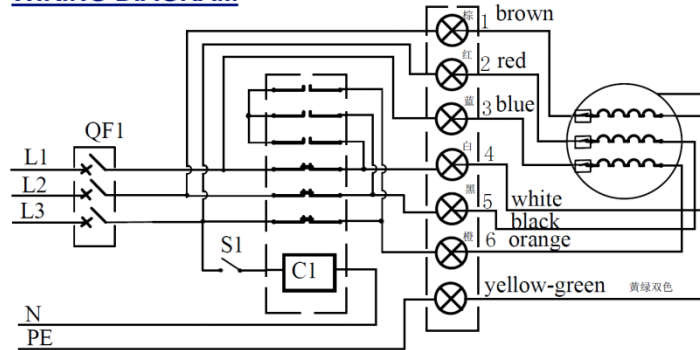
Performance parameters at key point:

Δ	psf (pa)	I (A)	P1 (W)	n (r/min)	Q (m ³ /h)	Note
①	0	3.22	1306	932	22912	
②	89	3.46	1586	912	18642	
③	135	3.62	1738	901	15755	MAX EFF.
④	211	4.07	2134	869	8492	IMAX
Y						
⑤	0	1.69	980	792	19667	
⑥	40	1.88	1105	757	17037	
⑦	74	2.01	1187	730	14160	MAX EFF.
⑧	130	2.48	1476	617	4724	IMAX

PS: Fan working performance tested with MAER wall plate, and under standard atmospheric pressure at 20°C



WIRING DIAGRAM



QF1 – run control air switch, QF1 switched on.
C1 – Y/Δ operation control contactor, S1 disconnect, Δ connection;
S1 connected, Y connection.

Test data at free:

Connection	UAC (V)±5%	f (Hz)	P1 (W)±10%	I (A)±10%	n (r/min)±10%	Noise db(A)
Δ	3 ~380V	50	1540	3.50	925	77
Y	3 ~380V	50	1050	1.80	772	74

Nameplate:



YSWF127L80P6-1075N-900 S 3~380V50Hz 20μF / 450V

Δ: 1738W 3.62A 901r/min @ 135Pa

Y: 1187W 2.01A 730r/min @ 74Pa

CL. F IP54 2018/07

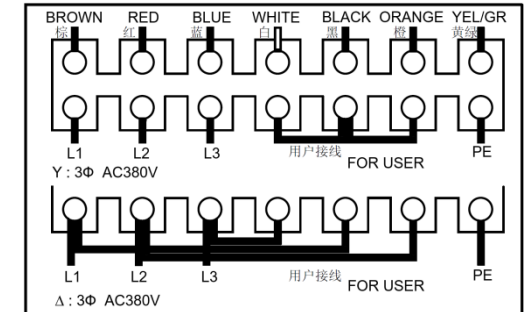
Tel:+380678807231, +380500679006

web:www.iceteco.com

e-mail: iceteko@gmail.com



THE EXTERNAL WIRING DIAGRAM:



MARK



MAER AXIAL FAN MOTOR
MOTORS & FANS

MODEL: **YSWF127L80P6-1075N-900 SUCTION**

6D-900-S

VOLTAGE: 380V / 50Hz

N.W/G.W. 21.8/25.3 kg

MEAS: 33x34 cm

CL. F WITH TERMINAL BOX



20180716X

		The signature	(date)(month)(year)	ZHEJIANG MAER FAN MOTOR CO., LTD.
state	Deliver before			Product Specification
	After the confirmation			
drawing				
audit				
approval				