

TECHNICAL SPECIFICATION:

- All parts of fan should be properly assembled, no oil or dirt on the surface, no obvious distortion, mechanical damage and other defects.
- Fan rotation is flexible, no delay no operation sound, no scratch and other undesirable phenomena.
- The safety requirement of fan is performed according to GB12350-2009, the electrical strength is 1500V•min, and the insulation resistance is not less than 100M Ω at room temperature.
- Motor insulation class, F CLASS.
- Motor protection level, IP44, fan protection level, IP2X.
- The fan balance level is: 920± 10% r/min high G6. 3, vibration value is less than 5.4mm/s.
- MAER box.
- Built-in heat protector.



Product model	YSWF127L65P6-920N-800S
Product type	External rotor axial flow fan
Customer	乌克兰 (Ukraine)
Product number	MAER – 1610190
Certification	CE, CCC

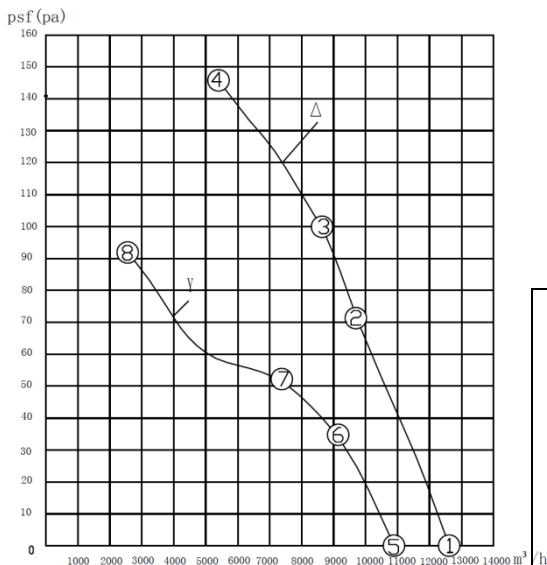
Condition of use:

- Voltage and frequency: Δ / Y, 3 ~ 380V + 5% (50 Hz)
- Qualification requirements: Terminal block, the recommended standard of lead wire is not less than 1.0mm².
- Installation position: vertical or upward.
- Ambient temperature: -40 ~ 60°C.

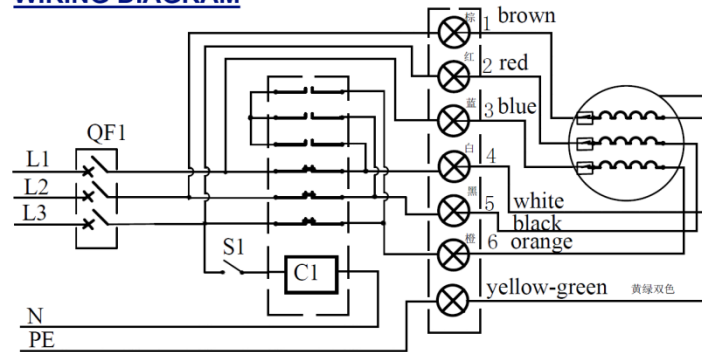
Performance parameters at key point:

Δ	psf (pa)	I (A)	P1 (W)	n (r/min)	Q (m ³ /h)	Note
①	0	2,19	874	932	16895	
②	66	2,36	1031	917	14301	
③	124	2,44	1126	906	11371	MAX EFF.
④	167	2,54	1218	895	7236	IMAX
Y						
⑤	0	1,21	679	800	15107	
⑥	56	1,40	797	745	11631	
⑦	69	1,44	822	731	10318	MAX EFF.
⑧	119	1,61	927	669	4019	IMAX

PS: Fan working performance tested with MAER wall plate, and under standard atmospheric pressure at 20°C



WIRING DIAGRAM



QF1 – run control air switch, QF1 switched on.
C1 – Y/Δ operation control contactor, S1 disconnect, Δ connection;
S1 connected, Y connection.

Test data at free:

Connection	UAC (V)±5%	f (Hz)	P1 (W)±10%	I (A)±10%	n (r/min)±10%	Noise db(A)
Δ	3 ~380V	50	810	1,90	925	73
Y	3 ~380V	50	628	1,10	801	70

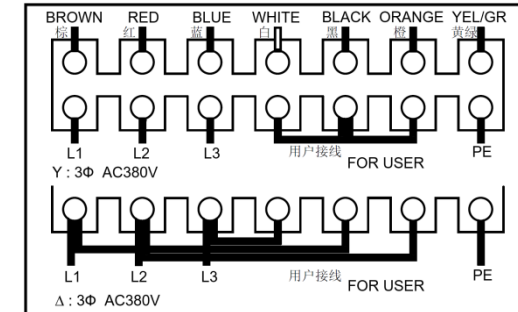
Nameplate:



YSWF127L65P6-920N-800 S 3~380V50Hz 20μF / 450V
 Δ: 1126W 2,44A 906r/min @ 124Pa
 Y: 822W 1,44A 731r/min @ 69Pa
 CL. F IP54 2018/07
 Tel:+380678807231, +380500679006
 web:www.iceteco.com
 e-mail: iceteko@gmail.com



THE EXTERNAL WIRING DIAGRAM:



MARK



MAER AXIAL FAN MOTOR
MOTORS & FANS

MODEL: **YSWF127L65P6-920N-800 SUCTION**

6D-800-S

VOLTAGE: 380V / 50Hz

N.W/G.W. 21.8/25.3 kg

MEAS: 31x31 cm

CL. F WITH TERMINAL BOX



20180716X

		The signature	(date)(month)(year)	ZHEJIANG MAER FAN MOTOR CO., LTD.
state	Deliver before			Product Specification
	After the confirmation			
drawing				
audit				
approval				