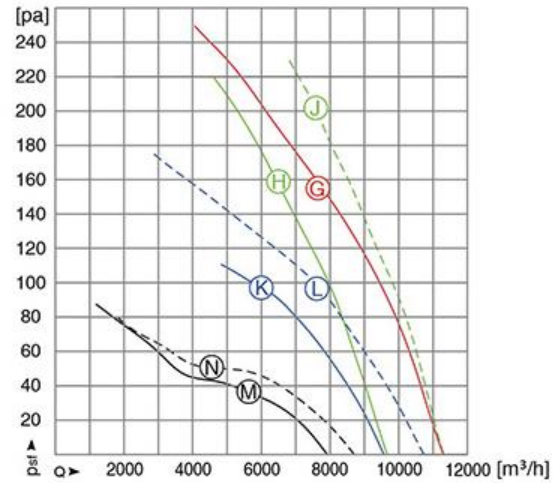
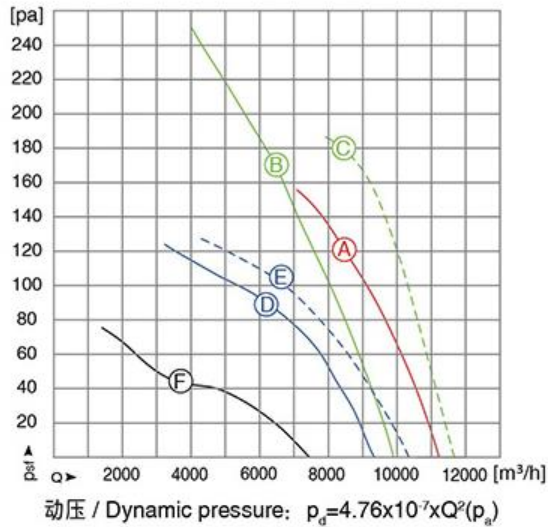
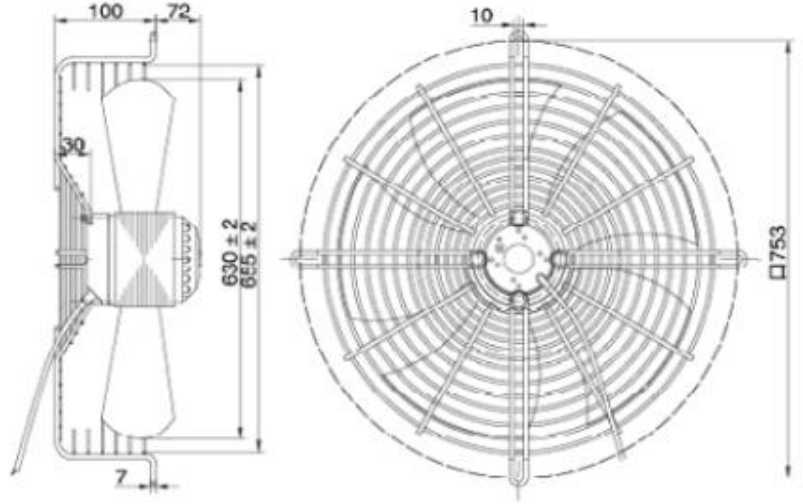


# Φ630



型号 MODEL	电压 UAC	频率 f	电容器 C	曲线 CURVE	输入功率 P1	转速 n	电流 I	静压 Psf	环境温度 Temp.	静压效率 ηsf	能效值 EFF. Grade	噪声 Noise	备注 Note
	V	Hz	μF/450V	NO.	W	r/min	A	Pa	℃	%	N	dB/(A)	
YDWF102L70P4-□-630	1~220	50	20	A	892	1349	4.04	120	-40~+70	31.68	38.2	76	
YDWF102L70P4-□-630	1~220	50	20	B	805	1398	3.86	170	-40~+80	37.61	44.5	75	
YDWF102L70P4-□-630	1~220	60	20	C	1193	1576	5.45	180	-40~+65	35.24	41.0	78	
YDWF102L70P6-□-630	1~220	50	16	D	479	919	2.22	91	-40~+80	32.45	40.7	71	
YDWF102L70P6-□-630	1~220	60	16	E	662	1038	3.01	104	-40~+80	28.09	35.4	74	
YDWF102L70P8-□-630	1~220	50	12	F	269	660	1.22	41	-40~+70	19.37	29.2	63	
YSWF102L70P4-□-630	3~380	50	—	G	937	1378	1.75	155	-40~+70	35.84	42.2	77	
YSWF102L70P4-□-630	3~380	50	—	H	735	1406	1.60	159	-40~+80	38.90	45.9	75	
YSWF102L70P4-□-630	3~380	60	—	J	1131	1600	1.97	201	-40~+65	37.53	43.4	78	
YSWF102L70P6-□-630	3~380	50	—	K	485	925	1.23	97	-40~+85	33.70	41.9	71	
YSWF102L70P6-□-630	3~380	60	—	L	652	1063	1.30	96	-40~+85	31.49	38.9	74	
YSWF102L70P8-□-630	3~380	50	—	M	317	661	0.69	36	-40~+70	17.86	27.2	64	
YSWF102L70P8-□-630	3~380	60	—	N	427	706	0.77	47	-40~+65	17.83	26.4	65	

注：性能曲线在安装马尔导风圈时测得；□表示安装附件。

Note: the performance curve obtained by installation MAER wall plate measurement ; □ express installation accessories.